



Control unit

Description

The APEX 2003.002x control unit controls and monitors the purging and operating phases in pressurised enclosures.

Digital or proportional purging gas valves are available to allow the purging gas to enter.

The parameters are set by means of rotary switches and buttons. There is also the option of transferring the parameters through an RS485 interface.

The control unit has two programmable relays and a non-floating enabling contact.

Features

- 4 voltage free contacts
3-line LCD display
LED status display
Modular design
Fail-safe control

Technical data

Guidelines/norms/certifications

Directive 2004/108/EC
Directive 94/9/EC

Construction

Ex e protective enclosure with viewport lid

Enclosure material

glass-fibre reinforced polyester

Protection class

IP 65

Terminals

2.5 mm², fine stranded

Pressure sensors

MIN A/B = 0 to 25 mbar
MAX = 0 to 25 mbar
DIFF A/B = 0 to 25 mbar

Purging time

0 to 99 min; 5 sec. dropout delay

Weight

7.5 kg

Safety Level

SIL 2

Electrical data

Supply voltage

AC 230 V (AC 115 V) ±10%
DC 24 V ±10 %

Power consumption

Pv = 15 W/230 V

Make contact

K 2/3, 5 A for cos φ = 1
K 4 and K 5, voltage free

Temperature switching value (optional)

0 °C to +80 °C

Bypass key switch (optional)

Explosion protection

Ex protection type

ATEX II 2(1)G Ex e d ib [ia Ga px] IIC T4/T6 Gb
II 2(1)G Ex e d [ia Ga px] IIC T6 Gb

Certification

DMT 99 ATEX E 082

IECEX Ex e d ib [ia Ga px] IIC T4/T6 Gb

Ex e d [ia Ga px] IIC T6 Gb

Certification

IECEX BVS 13.0039

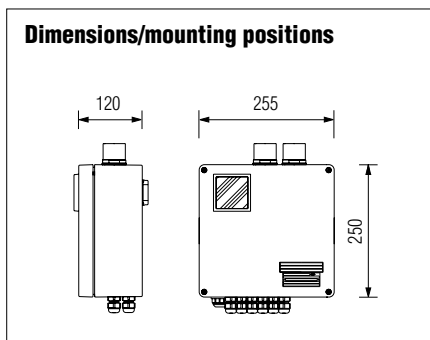
Further approvals

RTN, GOST

See www.bartec.-group.com for more approvals and certification.

Ambient temperature

-20 °C to +40 °C



Selection chart 9 W version table with columns Version and Code no. containing AC 230 V (1), AC 115 V (2), and DC 24 V (4).

Selection chart 15 W version table with columns Version and Code no. containing 230 V (1) and 115 V (2).

07-3711-1216/ 017

Complete order no.

Please enter code number.

07-3711-1216/ 107

Complete order no.

Please enter code number.