



- Contacts with positive break operation
- Latched and momentary-contact positions

This control switch has been designed to solve the variety of problems encountered in chemical and petrochemical plants and on explosion-proofed electrical machinery. Four switch contacts as opening and closing elements in different permutations permit a variety of functions. The opener has a positive break operation. The switch actuator offers latched and momentary-contact positions with different switch positions. The control switch can be installed quickly and directly into double or triple ComEx enclosures, or in combination with other command devices in control units.

**Explosion protection**

Marking ATEX	II 2G Ex db eb IIC Gb I M2 Ex db eb I Mb
Certification	CML 17 ATEX 1105 U
Marking IECEx	Ex db eb IIC Gb Ex db eb I Mb
Certification	IECEx CML 17.0045U
Other approvals and certificates, see <a href="http://www.bartec.de">www.bartec.de</a>	
Ambient temperature	-55 °C to +60 °C

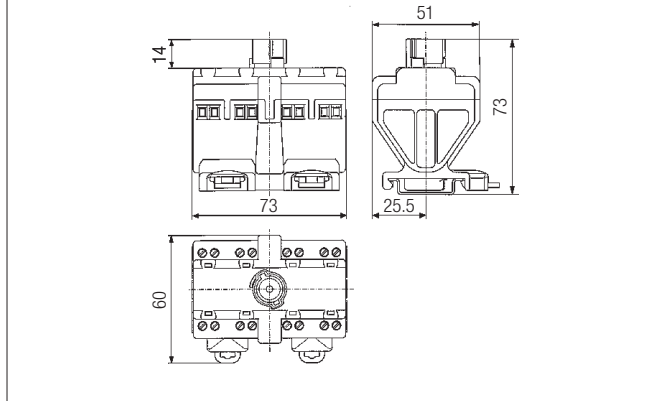
**Technical data**

Connection	terminals 2.5 mm <sup>2</sup> , fine stranded	
Contact material	AgSnO <sub>2</sub>	
Enclosure material	thermoplastic	
Installation	on TS 35 x 7.5 mounting rail	
Switch function	max. 4 switch contacts different NC/NO contact assemblies latching and momentary-contact functions with different switch positions	
Contacts	contacts with positive break operation (self-cleaning)	
Installation	in ComEx double and triple enclosures and in control units as floor mounting and front-panel mounting	
Switch isolator	DIN EN 60947-3 (main motor switch)	
P/AC-3/AC-23 A	AC-3	AC-23
230 V	3 ph/3 kW	1 ph/2.2 kW
400 V	3 ph/5.5 kW	1 ph/3 kW
I <sub>e</sub> = AC-23/400 V/10 A		
Control switch according to	DIN EN 60947-5-1 (auxiliary circuit switch)	
AC-15	400 V	10 A
AC-12	400 V	16 A
DC-13	24 V	1 A

**Electrical data**

Rated insulation voltage	U <sub>i</sub> = 690 V
	U <sub>e</sub> = 400 V
Rated impulse strength	U <sub>imp</sub> = 6 kV
Conditional rated short-circuit current at 400 V	I <sub>e</sub> = 4 kA
Short-circuit current (general-purpose l.v.h.b.c back-up fuse for the protection of cables and circuits)	max. 16 A
Nominal thermal current	(+40 °C) I <sub>the</sub> = 16 A
	(+60 °C) I <sub>the</sub> = 11 A

**Dimensions**



**Ordering information**

Contact arrangement of control switch	Code no.	Contact arrangement of control switch	Code no.
	A01		C06
	A02		C07
	A03		E08
	A04		E09
	H05		L01

Contact arrangement of switch-isolator

	N01		N02
--	-----	--	-----

Further contact versions are available upon request.

Complete order no. 07-3331-1     
 Please enter code number.  
 Technical data subject to change without notice.

**Ordering information**

Illustration/Dimensions	Description	Order no.
for ComEx enclosure 	Black position selector with protective collar, lockable* only for 4-pole switch	
	0 - I	05-0003-006201 05-0003-006301
	I - II	05-0003-006202 05-0003-006302
	I - 0 - II	05-0003-006203 05-0003-006303
	0 - I - II	05-0003-006204 05-0003-006304
	0 - I - II - III	05-0003-006205 05-0003-006305
	0 - I - II - III - IV	05-0003-006206 05-0003-006306
	HAND - 0 - AUTO	05-0003-006209 05-0003-006309

\* As standard, there are 3 boreholes in the protective collar to fit padlocks. If no further details are given on which switching position is to be locked, the boreholes are provided in the switch position 0 (I), others to customer specifications.