



ComEx Control switch

Features

- Contacts with positive break operation
- Latched and momentary-contact positions

Description

This control switch has been designed to solve the variety of problems encountered in chemical and petrochemical plants and on explosion-proofed electrical machinery. Four switch contacts as opening and closing elements in different permutations permit a variety of functions. The opener has a positive break operation. The switch actuator offers latched and momentary-contact positions with different switch positions.

The control switch can be installed quickly and directly into double or triple ComEx enclosures, or in combination with other command devices in control units.

Explosion protection

Ex protection type

ATEX II 2G Ex de IIC Gb
 I M2 Ex de I Mb

Certification

PTB 99 ATEX 1043 U

IECEX

Ex de IIC Gb

Ex de I Mb

Certification

IECEX PTB 07.0046U

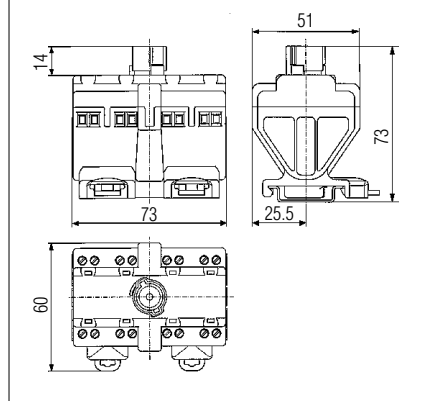
Further approvals

UL, NEPSI, GOST, KTL, INMETRO, DNV, CSA
Other approvals and certificates,
see www.bartec-group.com

Permissible ambient temperature

-55 °C to +60 °C

Dimensions



Technical data

Connection

Terminals 2.5 mm², fine stranded

Contact material

AgSnO₂

Enclosure material

Thermoplastic

Installation

on TS 35 x 7.5 mounting rail

Switch function

max. 4 switch contacts
different NC/NO contact assemblies
latching and momentary-contact functions
with different switch positions

Contacts

contacts with positive break operation
(self-cleaning)

Installation

in ComEx double and triple enclosures
and in control units as floor mounting
and front-panel mounting

Switch isolator

DIN EN 60947-3 (main motor switch)

P/AC-3/AC-23

230 V

400 V

AC-3

3 ph/3 kW

3 ph/5.5 kW

AC-23

1 ph/2.2 kW

1 ph/3 kW

I_e = AC-23/400 V/10 A

Control switch according to

DIN EN 60947-5-1 (auxiliary circuit switch)

AC-15

400 V

10 A

AC-12

400 V

16 A

DC-13

24 V

1 A

Electrical data

Rated insulation voltage

U_i = 690 V

U_e = 400 V

Rated impulse strength

U_{imp} = 6 kV

Conditional rated short-circuit current at 400 V

I_e = 4 kA

Short-circuit current

(general-purpose I.v.h.b.c back-up fuse for the protection of cables and circuits)

max. 16 A

Nominal thermal current

(+40 °C)

I_{the} = 16 A

(+60 °C)

I_{the} = 11 A



Selection chart

Contact arrangement of control switch	Code no.	Contact arrangement of control switch	Code no.
	A01		C06
	A02		C07
	A03		E08
	A04		E09
	H05		L01
Contact arrangement of switch-isolator			
	N01		N02

Further contact versions are available upon request.

Product printing standard: ATEX and IECEx marking.
Other markings on request. Please specify in plain text.

➔ **Complete order no. 07-3331-1**

Please enter code number.

Technical data subject to change without notice.

Selection chart

Illustration/Dimensions	Description	Order no.
For ComEx enclosure 	Black position selector with protective collar, lockable* only for 4-pole switch 0 - I for ComEx enclosure für Control unit (flat) I - II for ComEx enclosure für Control unit (flat) I - 0 - II for ComEx enclosure für Control unit 0 - I - II for ComEx enclosure für Control unit (flat) 0 - I - II - III for ComEx enclosure für Control unit (flat) 0 - I - II - III - IV for ComEx enclosure für Control unit (flat) HAND - 0 - AUTO for ComEx enclosure für Control unit (flat)	05-0003-006201 05-0003-006301
For control unit/ComEx 316L 		05-0003-006202 05-0003-006302
		05-0003-006203 05-0003-006303
		05-0003-006204 05-0003-006304
		05-0003-006205 05-0003-006305
		05-0003-006206 05-0003-006306
		05-0003-006209 05-0003-006309

*In principle, there are 3 boreholes in the protective collar to fit padlocks. If no further details are given on which switching position is to be locked, the boreholes are provided in the switch position 0 (I), other to customer specifications.

03-0330-0261/A-10/2014-BCS-202008/2