

ComEx Illuminated button with terminals for rail-mounted installation

Features

- One module for all fields of application
- Excellent Illumination
- Easy installation
- High IP protection type

Description

The ComEx illuminated button signals command statuses by illuminating or extinguishing a light signal. It is suitable for use in almost all potentially explosive areas in which the functional status of machinery needs to be visibly displayed.

The illuminated buttons are executed according to the requirements of type of protection "e increased safety" and "d flameproof enclosure".

The illuminated button can be combined with various lamp module actuators. Each illuminated button actuator is inserted in a mounting hole on a control console or control panel. The respective illuminated button is designed for installation on a mounting rail.

The conductor is connected using terminals with increased safety on the back of the module. The simple installation of the illuminated button actuators without tools guarantees the high IP protection type.

Explosion protection

Ex protection type

ATEX II 2G Ex de IIC Gb
 I M2 Ex de I Mb

Certification

PTB 97 ATEX 1064 U

IECEX Ex de IIC Gb
Ex de I Mb

Certification

IECEX PTB 10.0014U

Further approvals

UL, NEPSI, GOST, KTL, INMETRO, DNV, CSA

Other approvals and certificates,
see www.bartec-group.com

Ambient temperature

-55 °C to +50 °C
+60 °C (AC/DC 12 to 24 V)



Technical data

Protection class

determined by the actuating element and ComEx enclosure, min. IP 66, terminals IP 20

Rated insulation voltage

300 V

Rated operating voltage

AC 12 V to 250 V ($T_a \leq +50\text{ °C}$)
 DC 12 V to 60 V ($T_a \leq +50\text{ °C}$)
 AC/DC 12 V to 24 V ($T_a \leq +60\text{ °C}$)

Power consumption

$\leq 1\text{ W}$

Lamp

LED: red, green, yellow, white, blue

Illumination

very bright, over a visible angle of 180°

Contacts

1 NC or 1 NO as snap switch element

Switching capacity contact element

AC-15 1 A/230 V
 DC-13 0.25 A/24 V

Enclosure material

Thermoplastic

Connection

Terminals 2.5 mm², fine stranded

Electrical life

$>10^5$ running hours

Mechanical life

$>10^5$ switching cycles

Storage and transport temperature

-55 °C to +70 °C

Weight

approx. 110 g

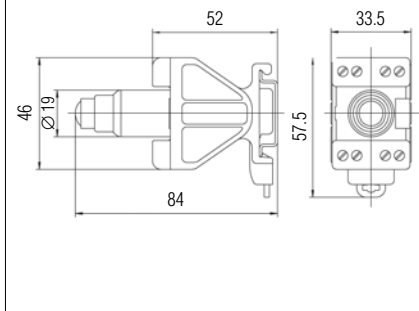
Mounting

on mounting rail TS 35 x 7.5

Shock resistance

DIN EN 60068-2-27, 30 g 18 ms

Dimensions



Selection chart

| Type of contact | Code no. | Colour LED | Code no. | Colour actuator | Code no. |
|-----------------|----------|------------|----------|-----------------|----------|
| 1 NC | 7 | red | 1 | red | 5 |
| | | green | 2 | green | 6 |
| | | yellow | 3 | yellow | 7 |
| 1 NO | 8 | white | 4 | white | 8 |
| | | blue | 5 | blue | 9 |

Complete order no.*

Illuminated button without actuating element

07-3361-1 0

Actuating element

Standard

05-0003-006 00

Increased oil resistance

05-0003-006 00BN

Please enter code number. Technical data subject to change without notice:

* Product printing standard: ATEX and IECEx marking. Other markings on request. Please specify in plain text.