



ComEx Lamp module with terminals for rail-mounted installation

Features

- One module for all fields of application
- Illumination 180°
- High flexibility thanks to the junction box
- Easy installation
- High IP protection type

Description

The ComEx lamp module signals command statuses by illuminating or extinguishing a light signal. It is suitable for use in almost all potentially explosive areas in which the functional status of machinery needs to be visibly displayed

The lamp modules are executed according to the requirements of type of protection "e increased safety" and "d flameproof enclosure".

The lamp module can be combined with various lamp module actuators. A junction box is provided for the safe and convenient installation of the module in a control panel.

Conductors are connected using terminals with increased safety on the back of the module. The simple installation of the lamp module actuators without tools guarantees the high IP protection type.

Explosion protection

Ex protection type

ATEX II 2G Ex de IIC Gb
 I M2 Ex de I Mb

Certification

PTB 97 ATEX 1064 U

IECEX Ex de IIC Gb
Ex de I Mb

Certification

IECEX PTB 10.0014U

Further approvals

UL, NEPSI, GOST, KTL, INMETRO, DNV, CSA

Other approvals and certificates, see www.bartec-group.com

Ambient temperature

-55 °C to +50 °C
+60 °C (AC/DC 12 V to 24 V)



Technical data

Protection class

determined by the actuating element and ComEx enclosure, min. IP 66, terminals IP 20

Rated insulation voltage

300 V

Rated operating voltage

AC 12 V to 250 V ($T_a \leq +50\text{ °C}$)
 DC 12 V to 60 V ($T_a \leq +50\text{ °C}$)
 AC/DC 12 V to 24 V ($T_a \leq +60\text{ °C}$)

Power consumption

$\leq 1\text{ W}$

Lamp

LED
 red, green, yellow, white, blue

Illumination

very bright, over a visible angle of 180°

Enclosure material

Thermoplastic

Connection

Terminals 2.5 mm², fine stranded

Electrical life

$>10^5$ running hours

Storage and transport temperature

-55 °C to +70 °C

Weight

approx. 90 g

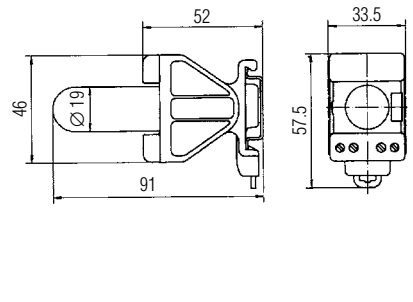
Mounting

on mounting rail TS 35 x 7.5

Shock resistance

DIN EN 60068-2-27: 30 g 18 ms

Dimensions



Selection chart

Wiring diagram	Colour LED	Code no.	Colour actuator	Code no.
	red	1	red	3
	green	2	green	4
	yellow	3	yellow	5
	white	4	white	6
	blue	5	blue	7

Complete order no.*

Lamp module without actuating element

07-3351-11 0

Actuating element

Standard

05-0003-001 00

Increased oil resistance

05-0003-001 00BN

Please enter code number.

Technical data subject to change without notice.

* Product printing standard: ATEX and IECEx marking.
 Other markings on request. Please specify in plain text.