



ComEx Switch module with terminals for rail-mounted installation

Features

- High flexibility
- Easy installation
- High IP protection type

Description

The ComEx switching module can be used in almost all potentially explosive areas where machine functions need to be triggered by a button or a switch.

ComEx switching modules are flexible in use and offer a range of actuator elements.

All contacts of the switching module are self-cleaning, and NC contacts have positive opening.

The conductor is connected using terminals with increased safety on the back of the module.

The simple installation of the actuator elements without tools guarantees the high IP protection type.

Explosion protection

Ex protection type

ATEX II 2G Ex de IIC Gb
 I M2 Ex de I Mb

Certification

PTB 99 ATEX 1043 U

IECEX Ex de IIC Gb
Ex de I Mb

Certification

IECEX PTB 07.0046U

Further approvals

UL, NEPSI, GOST, KTL, INMETRO, DNV, CSA

Other approvals and certificates, see www.bartec-group.com

Ambient temperature

-55 °C to +60 °C



Technical data

Protection class

determined by the actuating element and ComEx enclosure, min. IP 66, terminals IP 20

Rated insulation voltage

690 V

Rated voltage			
400 V	400 V	110 V	24 V
Utilization category			
AC-12	AC-15	DC-13	DC-13
Rated operating currents			
16 A	10 A	0,5 A	1 A

Conventional thermal current I_{the}

16 A/+40 °C, 11 A/+60 °C

Contact options

contacts with positive break operation (self-cleaning)
1 NC and 1 NO or
2 NC or 2 NO

Contact material

AgSnO₂

Enclosure material

Thermoplastic

Connection

Terminals 2.5 mm², fine stranded

Mechanical life

10⁶ switching cycles

Storage and transport temperature

-55 °C to +70 °C

Weight

approx. 70 g

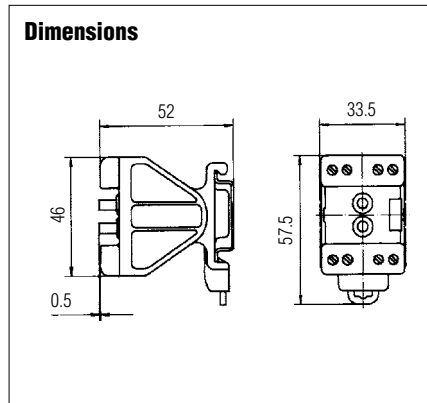
Mounting

on mounting rail TS 35 x 7.5

Shock resistance

DIN EN 60068-2-27: 30 g 18 ms

Dimensions



Selection chart

Type of contacts	Code no.	Actuating element	Code no.
2 NC 	1	Pushbutton	0700
		Double push button actuator	7400
		Emergency stop NOT-AUS	0800
		Selector switch 0 + I latching, 2 positions	0900
		Selector switch I + II latching, 3 positions	1000
2 NO 	2	Selector switch I + II momentary-contact, 3 positions	1001
		Selector switch I latching, II momentary-contact, 3 positions	1002
		Selector switch I momentary-contact, II latching, 3 positions	1003
		Mushroom pushbutton, black	1800
1 NC + 1 NO 	4	Lockable in both positions, DOM lock	1200
		Lockable in the depressed position, DOM lock	1201
		Lockable in the initial position, DOM lock	1202
		Locking-type mushroom pushbutton	1203
		Lockable in both positions, RONIS lock	6100

Complete order no. *

Switch module without actuating element **07-3321-1** **00**

Actuating element
Standard **05-0003-00**

Increased oil resistance **05-0003-00** **BN**

Please enter code number. Other actuators available (see page 10 following).
Technical data subject to change without notice.
* Product printing standard: ATEX and IECEx marking. Other markings on request.
Please specify in plain text.