



Limit Monitor

Description

The limit value transmitters of Types 07-31...-.../... are deployed in conjunction with pneumatic actuators on valves and fittings.

They serve to signal the "open/closed" status of a fitting. This end position is communicated by means of up to a maximum of 6 limit switches in the "Ex d" type of protection or by means of 6 proximity initiators in conformance to NAMUR in the "Ex i" type of protection. In intrinsically safe proximity initiators there is a choice of slot initiators or V3 initiators.

The limit monitors are available in polyester, aluminium and stainless steel. The metal versions can be used in temperatures down to -60 °C – depending on the fitted components.

To ensure mechanical adaptability to the pneumatic actuators, we supply 4 consoles according to VDI/VDE 3845.

The BARTEC limit monitors can be used in hazardous (potentially explosive) areas in Zone 1 and 2 in accordance with the certified explosion sub-groups IIA, IIB and IIC and the temperature classes T5/T6 and in Zone 21 and 22 in accordance with the certified max. surface temperature.

Selection chart for Standard-Limit Monitors

		Console Dimensions (mm)			➔ Order no.
		A	B	H	
	Aluminium enclosure black (220 x 120 x 90 mm)	for Zone 1 + 2 and 21 + 22			
Ex e d m Picture 1	Console VDI/VDE 3845	130	50	75	07-31A1-2209/9005 07-31A1-2209/9004 07-31A1-2209/9003 07-31A1-2209/9002 07-31A1-2209/9001
	Console VDI/VDE 3845	130	30	55	
	Console VDI/VDE 3845	80	30	55	
	Console VDI/VDE 3845	80	20	45	
	Connection dimensions DIN EN ISO 5211 F05	without console			
	Polyester enclosure black (220 x 120 x 90 mm)	for Zone 1 + 2 and 21 + 22			
Ex e d m Picture 1	Console VDI/VDE 3845	130	50	75	07-31B1-2209/9004 07-31B1-2209/9003 07-31B1-2209/9002 07-31B1-2209/9001 07-31B1-2209/9007
	Console VDI/VDE 3845	130	30	55	
	Console VDI/VDE 3845	80	30	55	
	Console VDI/VDE 3845	80	20	45	
	Connection dimensions DIN EN ISO 5211 F05	without console			
	Polyester enclosure black (110 x 75 x 55 mm)	for Zone 1 + 2 and 21 + 22			
Ex e d m Picture 2	Console VDI/VDE 3845	130	50	75	07-31B1-1105/9005 07-31B1-1105/9004 07-31B1-1105/9003 07-31B1-1105/9002 07-31B1-1105/9001
	Console VDI/VDE 3845	130	30	55	
	Console VDI/VDE 3845	80	30	55	
	Console VDI/VDE 3845	80	20	45	
	Connection dimensions DIN EN ISO 5211 F05	without console			
	Stainless-steel enclosure (150 x 150 x 80 mm)	for Zone 1 + 2 and 21 + 22			
Ex e d m Picture 3	Console VDI/VDE 3845	130	50	75	07-31D1-1508/9003 07-31D1-1508/9004 07-31D1-1508/9005 07-31D1-1508/9006 07-31D1-1508/9002
	Console VDI/VDE 3845	130	30	55	
	Console VDI/VDE 3845	80	30	55	
	Console VDI/VDE 3845	80	20	45	
	Connection dimensions DIN EN ISO 5211 F05	without console			



Explosion protection

Ex protection type (max.) dependent on the installed parts
 Ⓜ II 2G Ex e d mb ia resp. ib IIC T6 or T5 Gb
 Ⓜ II 2D Ex tb IIIC T90 °C Db

Certification IBExU02ATEX1126
 IECEx IBE 13.0038

Ambient temperature -60 °C to max. +70 °C

Technical data

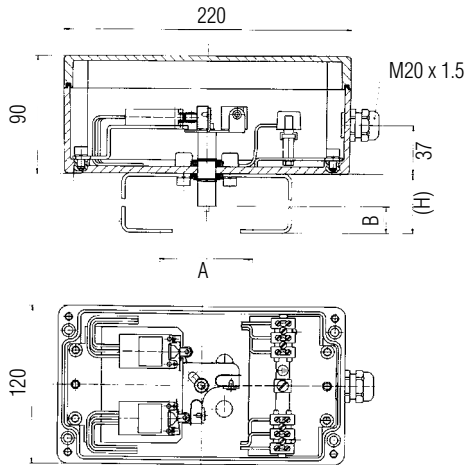
Protection class Enclosure IP 65/67 according to EN 60529 and IEC 60529

Material Type 07-31A cast aluminium
 Type 07-31B polyester black
 Type 07-31D high quality stainless steel

Mounting console and connection dimensions according to DIN EN ISO 5211 F05 resp. VDI/VDE 3845

Connection Ex glands M20 x 1.5 resp. M16 x 1.5

Picture 1



Aluminium enclosure 220 x 120 x 90 mm
Polyester enclosure 220 x 120 x 90 mm

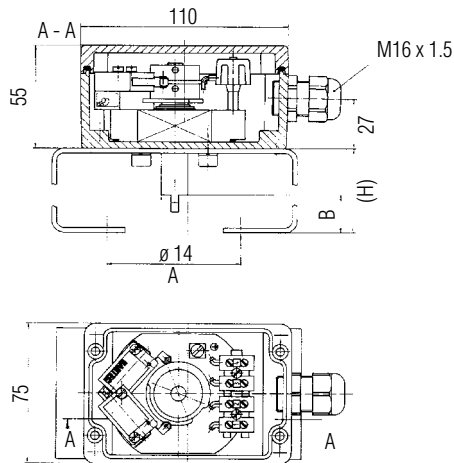
Built-in

2 microswitches
 Ex protection type Ex e d IIC
 Switching function changeover contact

Cable connection via Ex e modular terminals. An Ex e cable gland is provided for the cable connection M20 x 1.5 (6 to 12).

The version with enclosure dimensions 220 x 120 x 90 mm optionally provides additional terminals for the connection of a magnetic valve.

Picture 2



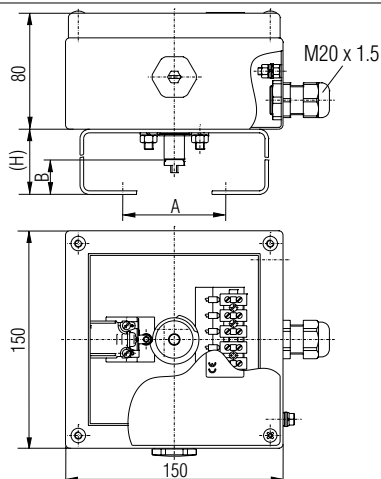
Polyester enclosure 110 x 75 x 55 mm

Built-in

2 micro-switches
 Ex protection type Ex e d IIC
 Switching function NO contact

The cable is connected to Ex e-rail-mounted terminals. An EEx e-cable gland is provided to insert the cable M16 x 1.5 (5 to 10).

Picture 3



Stainless-steel enclosure 150 x 150 x 80 mm

Fitted components

2 microswitches
 Ex protection type Ex e d IIC
 Switching function Changeover contact

The cable is connected to Ex e-rail-mounted terminals. An Ex e-cable gland is provided to insert the cable M16 x 1.5 (6 to 12).