

# EXbox<sup>®</sup> Access

Universal Access Point Enclosure with integrated 2.4/5.0 GHz Antenna



The EXbox<sup>®</sup> Series is a one piece Ex d enclosure that will quickly solve your need for deploying permanent or temporary wireless networking in potentially hazardous locations.

As standard it is fitted with will hold any four dual band Wi-Fi antennas. The enclosure has room for any communications device requiring wireless. The connection is made through direct entry cable glands, indirect via Ex e junction box or with Cat compliant Ex d connector.

- Designed for standard industrial Wireless Access Points or Repeaters
- Four internal 2,4 Ghz & 5,0 Ghz dual band antennas
- IP66 rated
- Offered in different sizes for fitment of a wide range of access points
- May be fitted with power supply and/ or Media Converter

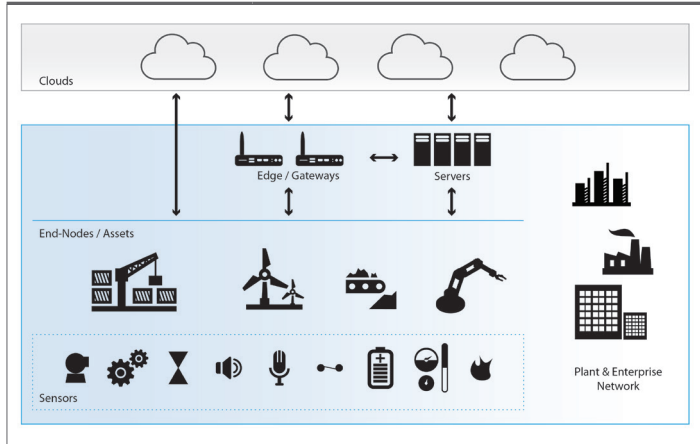
### Typical applications

- Wireless Access points (Wi-Fi), signal repeaters, Gateways (Bluetooth®, LoRa® etc.), IoT devices, etc. Four internal 2,4 Ghz & 5,0 Ghz dual band antennas.
- If you should will had a needed our sales staff will be pleased to advise.
- The client receives a complete system including user manual, part list, wiring diagram and and EU Declaration of Conformity (DoC) for ATEX certified solutions.

### Explosion protection

Marking	II 2G and EPL Gb Ex d IIB T6-T4 Gb
Certification ATEX	DEKRA 13ATEX0209
Certification IECEx	IECEX DEK 13.0075 EAC TC RU, INMETRO on request
Directives	EN/IEC: 60079-0, 60079-1, 60079-31 Other approvals and certificates, see <a href="http://www.bartec.com">www.bartec.com</a>

### Application example



### Technical data

Material	Stainless steel 316L/Polycarbonate
IP rating	IP 66
Temperature	-20 °C to +40 °C Optional -50 °C to +60 °C
Surface treatment	Shot blasted and acid pickled

### Dimensions

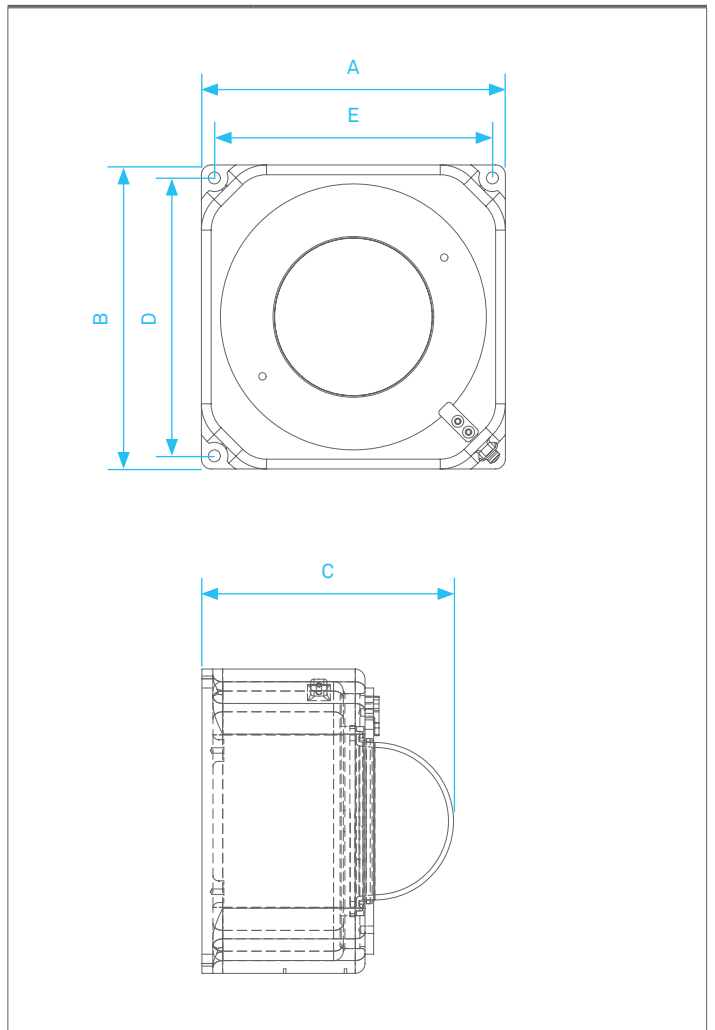
Product	Dimensions in mm (Width A x Height B x Depth C)	Weight kg	Fixing dims in mm Width E x Height D 4x Ø11
TNCD 282815	280 x 280 x 250	29	256 x 256
TNCD 282820	280 x 280 x 300	34	256 x 256

### Antenna specification

4 integrated Antennas for optimized 360° radio transmission

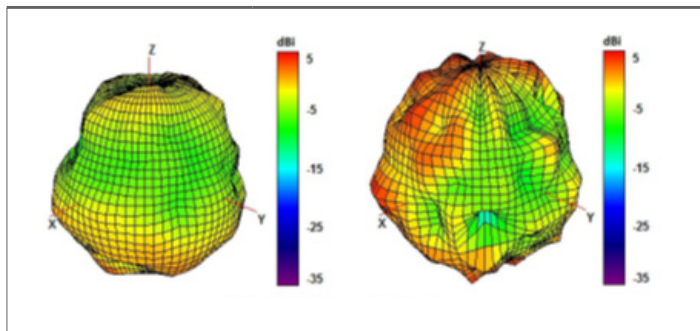
Parameters	2.4 / 5.0 GHz ISM Antenna	
Standards	Wi-Fi, BT, ZigBee, ISM	
Band (MHz)	2.4 Ghz	5.0 Ghz
Frequency (MHz)	2410-2490	4920-5925
Return Loss (dB)	~-14.7	~-12.8
VSWR	~1.4:1	~1.7:1
Efficiency (%)	~60	~83
Peak Gain (dBi)	~4.0	~5.2
Average Gain (dB)	~-2.2	~-0.9
Impedance (Ohm)	50	
Polarisation	Linear	
Radiation Pattern	Omni-Directional	
Max. Input Power (W)	25	
Connector Type	Most RF Connectors (RP-SMA-Male Standard) Directional or other antenna properties on request.	

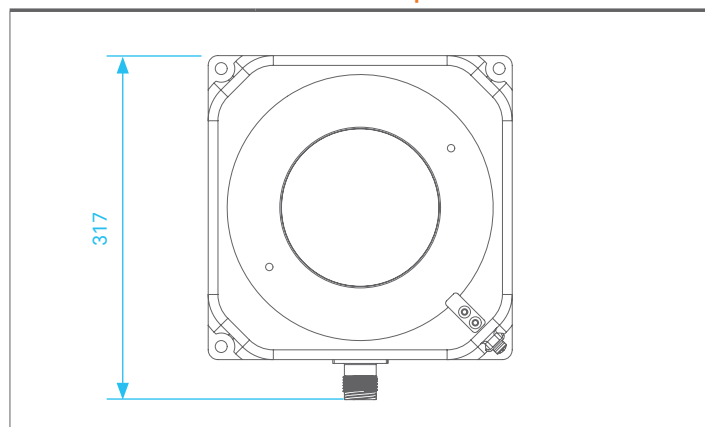
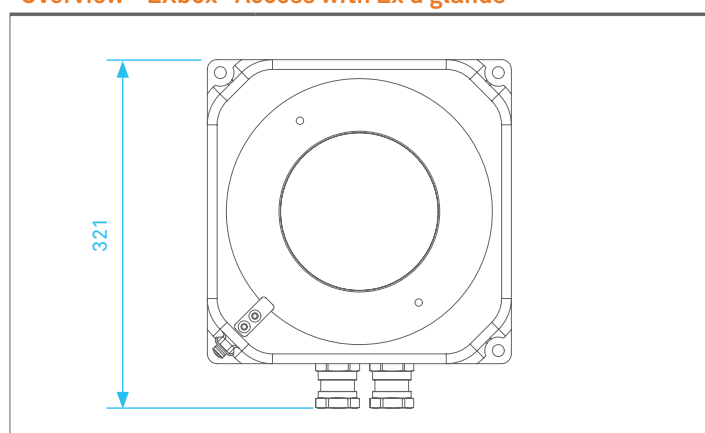
### Overview



### Antenna Radio Diagram

2450 and 5500 MHz Radiation pattern



**Overview - EXbox® Access with Amphenol socket****Overview - EXbox® Access with Ex d glands**

Recommended socket is Amphenol RJ45 for easy and quick connection. Delivered pre-installed to the access point to save time during installation.

(Socket: EXM-A02-19-RJF-L05-CAT5e )

**Order Number EXbox® Access**

complete number after technical clearance

Enclosure Type	TNCD282815	TNCD282820
POE configuration with Amphenol socket RJ45	07-45C0-0873/xxxx	07-45D0-0873/xxxx
POE configuration with gland	07-45C0-0874/xxxx	07-45D0-0874/xxxx
Fiber configuration with gland	-	07-45D0-0876/xxxx
Ethernet and separate power configuration with gland	-	07-45D0-0877/xxxx

The EXbox® Access is also in Ex de combination available.

The EXbox® Access Wireless Enclosure is designed, built and delivered in full compliance with current specific regulations and standards. The client receives a complete system including user manual, part list, wiring diagram and EU-Declaration of Conformity (DoC) for ATEX certified solutions.

Plug for EXbox® Access with Amphenol socket can be ordered separately. SAP Number 361515 Type: APH-EXM-A06-19-RJ2-A1

**Compatibility**

We recommend using Cisco 27xx, 28xx, 37xx, 38xx series access points, but other Cisco variants along with equipment from Aruba, Merki and other Wi-Fi brands may also be compatible - after evaluation. Verified access points include but not limited to those listed.

There is a reference list available and our sales staff will be pleased to advise.