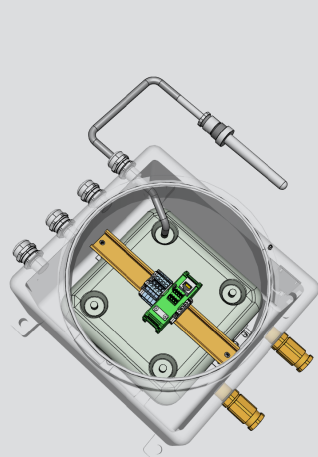
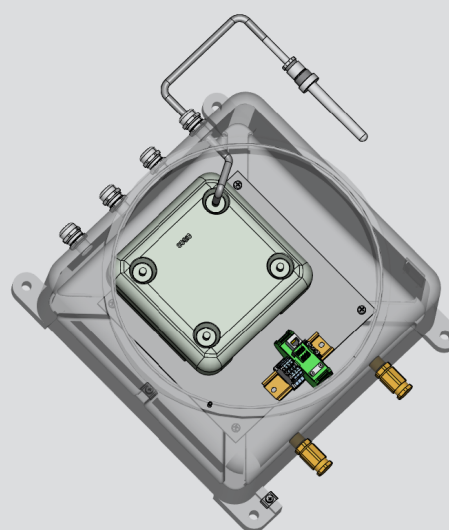


Universal Access Point Enclosure

Datasheet



GUB 3 enclosure



GUB 4 enclosure



The Universal Ex d Access Point enclosure will quickly solve your need for deploying permanent or temporary wireless networking in potentially hazardous locations.

The enclosure is suitable for any communication device requiring wireless communication. The electrical connection is with Ex d cable glands for direct entry. At this Access Point solution we are working with an external Antennas concept which are either connected direct to the enclosure or via cable to have a flexible distribution in different areas available.

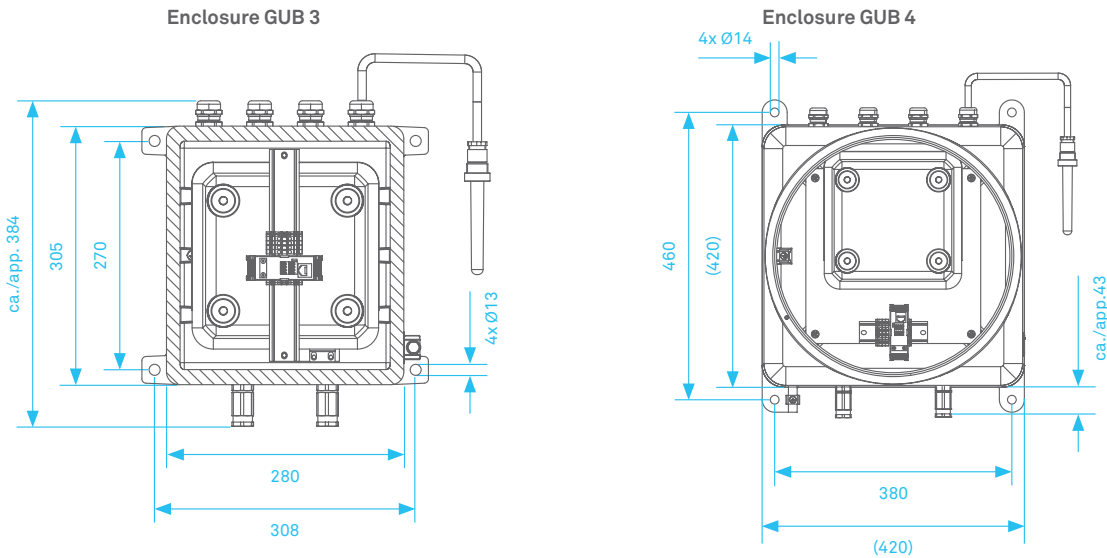
- design for standard industrial access point
- 2 version of Ex d enclosure
- enclosure with and without window
- up to 4 antenna
- Xbeam antenna with up to 30 meter cable

Explosion protection

Depending on the installed components; observe the specifications on the type label. According to EN-IEC 60079-0, -1.

Marking ATEX	Ex II 2G Ex db IIC T6 Gb Ex II 2D Ex tb IIIC T85°C to T200°C Db
Certification	DEKRA 13 ATEX 0209
Marking IECEx	Ex II 2G Ex db IIC T6 Gb Ex II 2D Ex tb IIIC T85°C.. T200°C Db
Certification	IECEX DEK 13.0075
Ambient temperature	Depending on the installed parts; observe the specifications on the type label. -20°C to +40°C standard (T6) -40°C to +55°C optional (T4) Other approvals and certificates, see bartec.com

Technical specifications



Compatibility of Wireless Access Points	Designed for Cisco series 28xx, & 38xx series, other Wireless Access Point on request.	Designed for Cisco series 28xx, & 38xx series, other Wireless Access Point on request.
Weight enclosure	14,5 kg	30 kg
Ex d cable gland Power	Cable from 6 up to 13mm	Cable from 6 up to 13mm
Ex d cable gland Ethernet	Cable from 6 up to 13mm	Cable from 6 up to 13mm
Antenna X Beam	Up to 4 Antenna	Up to 4 Antenna
Exi Coupler alternative to Xbean Antenna	up to 4 coupler	up to 4 coupler
Window optional	Window available in screw cover	Window available in screw cover
Fiber optic converter	no	Optional
Power supply	Optional	Optional
Ethernet adapter	with Ethernet adapter	Optional
Max. Power dissipation	Temp. class T6 ambient up to + 40°C (Standard labeling) Temp. class T4 ambient up to + 55°C (Optional)	Temp. class T6 ambient up to + 40°C (Standard labeling) Temp. class T4 ambient up to + 55°C (Optional)
Enclosure without Window	108 W	240 W
Enclosure with Window	92 W	175 W

Order Number

For Cisco Access Point Series 28xx and 38xx (Power over Ethernet)	Enclosure Gub 3 with Ethernet Adapter	Enclosure Gub 4
1 Cable gland / 2 Exi Antenna coupler dual band	07-4C60-0165/0020	07-4C70-0165/0014
1 Cable gland / 4 Exi Antenna coupler dual band	07-4C60-0165/0021	07-4C70-0165/0015
1 Cable gland / 2 x Exe Antenna Xbeam dual band 1m	07-4C60-0165/0024	07-4C70-0165/0018
1 Cable gland / 4 x Exe Antenna Xbeam dual band 1m	07-4C60-0165/0025	07-4C70-0165/0019
For Cisco Access Point Series 28xx and 38xx (Ethernet and Power Supply)	Enclosure Gub 3 with Ethernet Adapter and Terminal for Power supply	Enclosure Gub 4 Terminal for Power supply
2 Cable gland / 2 Exi Antenna coupler dual band	07-4C60-0165/0022	07-4C70-0165/0016
2 Cable gland / 4 Exi Antenna coupler dual band	07-4C60-0165/0023	07-4C70-0165/0017
2 Cable gland / 2 x Exe Antenna Xbeam dual band 1m	07-4C60-0165/0026	07-4C70-0165/0020
2 Cable gland / 4 x Exe Antenna Xbeam dual band 1m	07-4C60-0165/0027	07-4C70-0165/0021
Version with other Wireless Access Point on request.		