



PBS Power Box Single entry junction box kit

Power Junction Box, designed to connect one BARTEC parallel heating cable to power or to form a splice or powered splice. One CAK cold applied connection and end termination kit is included in every PBS kit.

PBS-200-E for self-regulating heating cables

Pipe mountable power junction box kit integrating the functions of an insulation entry and power connection kit within an Ex e certified polyester enclosure. Insulation Entry Kits are not required as the mounting stand provides this feature.

PBS-300-E for self-regulating heating cables

PBS-310-E for power limiting heating cables

Off-pipe mountable single power junction box, comprising one CAK silicone cold applied connection and termination kit, a galvanized steel bracket and mounting plate and an Ex e certified polyester enclosure. IEK Insulation Entry Kits must be ordered separately. CAK-SRB must be ordered separately if used with HSB+ or HTSB cables.

PBM Power Box Multiple entry junction box kit

Power Junction Box, designed to connect up to three BARTEC parallel heating cables to power, form a splice or a tee. Two CAK cold applied connection and termination kits are included in every PBM kit.

PBM-200-E for self-regulating heating cables

Pipe mountable single power junction box kit integrating the functions of an insulation entry and power connection kit within an Ex e certified poly-ester enclosure. Insulation Entry Kits are not required as the mounting stand provides this feature.

PBM-300-E for self-regulating heating cables

PBM-310-E for power limiting heating cables

Off-pipe mountable power junction box, made of three CAK silicone cold applied connection and termination kits for three heating cables, a galvanized steel bracket and mounting plate and an Ex e certified polyester enclosure. This configuration is designed to connect up to three BARTEC parallel heating cables to power, form a splice or a tee.

IEK Insulation Entry Kits must be ordered separately. CAK-SRB must be ordered separately if used with HSB+ or HTSB cables.

PBS and PBM kits are also available with M32 cable glands and 10mm² Ex e spring type terminals for larger supply conductor sizes. See type selection table on next page.

Features

- Build size allows up to 120 mm of thermal insulation
- On and Off-Pipe (Tankwall) mountable versions
- Including cold applied power and end termination kit (CAK)
- Fast installation and maintenance-free operation with spring type terminals

Explosion protection Junction Box

Marking	Ⓔ II 2G Ex e IIC T6 Gb Ⓔ II 2D Ex tb IIIC T80°C Db
Certification	IBEU 12 ATEX 1099 IECEX IBE 12.0031

Heating System

Marking	PSB	Ⓔ II 2G Ex e IIC T5, T6 Gb Ⓔ II 2D Ex tb IIIC T80°C T95°C Db
	MSB	Ⓔ II 2G Ex e IIC 150°C (T3), T4 Gb Ⓔ II 2D Ex tb IIIC T150°C, T130°C Db
Marking	HSB	Ⓔ II 2G Ex e IIC 200°C (T2), T3, T4 Gb Ⓔ II 2D Ex tb IIIC T200°C, T195°C, T130°C Db
	HSB+	Ⓔ II 2G Ex e IIC 200°C (T2), T3, T4 Gb Ⓔ II 2D Ex tb IIIC T200°C, T195°C, T130°C Db
Marking	HTSB	Ⓔ II 2G Ex e IIC 200°C (T2), T3, T4 Gb Ⓔ II 2D Ex tb IIIC T200°C, T195°C, T130°C Db
	Certification	PSB KEMA 08 ATEX 0111 X IECEX KEM 09.0084X MSB/ KEMA 08 ATEX 0110 X HSB IECEX KEM 09.0083X HSB+ CML 19 ATEX 3033 IECEX CML 19.0008 HTSB SIRA 16 ATEX 3099 IECEX SIR 16.0035

Other approvals and certificates, see www.bartec.de

Technical data

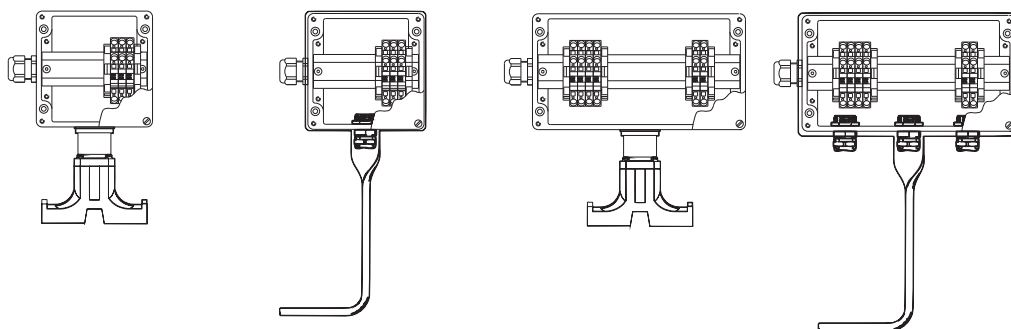
Protection class	IP 66
Min. ambient temperature	-55 °C
Max. ambient temperature	depends on the type of heating cable
Storage temperature	-55 °C to +65 °C
Max Pipe temperature	+240°C (PBS-200-E, PBM-200-E) +250°C (all other parts)

Material

Enclosure	Polyester, glass fibre reinforced
Stand	PPS, glass fibre reinforced
Terminals	Ex e, Spring Type, 6 mm ²
Max. current (breaker rating)	32 A

Notice Technical data subject to change without notice.
No claims for damage arising from alternations, errors or misprints shall be allowed.

Ordering information



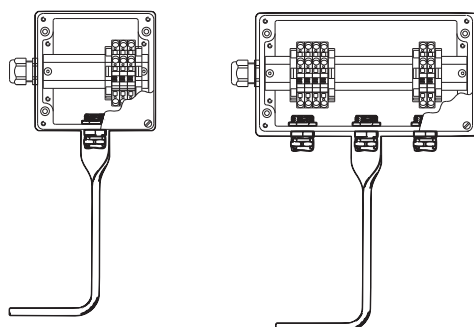
	PBS-200-E, -E10	PBS-300-E, -E10	PBM-200-E, -E10	PBM-300-E, -E10
Kit contents	1 junction box with terminals 1 stand assembly 1 cold applied set 1 green/yellow tube 2 cable grommet	1 junction box with terminals 1 plate and stand assembly 1 cold applied set 1 green/yellow tube 1 cable gland with grommet	1 junction box with terminals 1 stand assembly 3 cold applied sets 3 green/yellow tube 3 cable grommet	1 junction box with terminals 1 plate and stand assembly 3 cold applied sets 3 green/yellow tube 1 cable gland with grommet
Compatible cable series:	PSB, MSB, HSB, HSB+, HTSB	PSB, MSB, HSB, for HSB+, HTSB, please add one CAK-SRB to each kit	PSB, MSB, HSB, HSB+, HTSB	PSB, MSB, HSB, for HSB+, HTSB, please add three CAK-SRB to each kit
Box size	122 x 120 x 90 mm / 160 x 160 x 90 for -E10		220 x 220 x 90 mm / 260 x 160 x 90 for -E10	
Power entry	1 x M25 1 blind plug M25 (M32 for -E10)	1 x M25 1 blind plug M25 (M32 for -E10)	1 x M25 1 blind plug M25 (M32 for -E10)	1 x M25 1 blind plug M25 (M32 for -E10)
Heating cable entry	2 x grommets	1 x M20 gland	3 x grommets	3 x M20 gland
Box support	Integrated PPS Mounting Stand	Mounting Plate & Bracket, galv. steel	Integrated PPS Mounting Stand	Mounting Plate & Bracket, galv. steel
Terminals	Triple Spring Type, Ex e, 1 phase, 1 neutral, 1 ground		Triple Spring Type, Ex e, 2 phase, 2 neutral, 2 ground	
Max. conductor size	6 mm ² (10 mm ² for -E10)	6 mm ² (10 mm ² for -E10)	6 mm ² (10 mm ² for -E10)	6 mm ² (10 mm ² for -E10)
Order Codes	27-54P2-4212/1210	27-54P2-4211/1210	27-54P2-4433/1210	27-54P2-4431/1210
-E10	27-54P2-4312/3B10	27-54P2-4311/3B10	27-54P2-4533/3B10	27-54P2-4531/3B10

Cold applied kits, explosion protected, with heating cable grommets

CAK-SRS , cold applied kit, for PBS-200-E and PBM-200-E for self-regulating heating cables PSB, MSB, HSB, HSB+, HTSB	27-59CX-7C01/0001
CAK-SRG , cold applied kit, for PBS-300-E and PBM-300-E for self-regulating heating cables PSB and MSB	27-59CX-73010001
CAK-SRB , cold applied kit, for PBS-300-E, PBM-300-E for self-regulating heating cables HSB+ and HTSB	27-59CX-B1010001
CAK-M25 , splice modification kit, for PBS-200-E, PBM-200-E for self-regulating heating cables PSB, MSB, HSB, HSB+, HTSB	27-59CZ-9901/0000
CAK-E5 , cold applied end seals (5pc per set, with RTV) for self-regulating heating cables PSB, MSB, HSB, HSB+, HTSB	27-59CZ-9000/0005
PBS-SPA , small pipe adaptor for pipe diameters smaller than DN25 for PBS-200-E, ELL-200-E, PBTW-200-E	05-1105-0071
PBM-SPA , small pipe adaptor for pipe diameters smaller than DN25 for PBM-200-E	05-1105-0072

Notice Technical data subject to change without notice.
No claims for damage arising from alternations, errors or misprints shall be allowed.

Ordering information



	PBS-310-E, -E10	PBM-310-E, -E10
Kit contents	1 junction box with terminals 1 stand assembly 1 cold applied boot and RTV 1 green/yellow tube 1 cable earth lug 1 cable gland with grommet	1 junction box with terminals 1 plate and stand assembly 3 cold applied boot and RTV 3 green/yellow tube 3 cable earth lugs 3 cable gland with grommet
Box size	122 x 120 x 90 mm (160 x 160 x 90 for -E10)	220 x 120 x 90 mm (260 x 160 x 90 for -E10)
Power entry	1 x M25 1 blind plug M25 (M32 for -E10)	1 x M25 1 blind plug M25 (M32 for -E10)
Heating cable entry	1 x M20 gland	3 x M20 gland
Box support	Mounting Plate & Bracket, galv. steel	Mounting Plate & Bracket, galv. steel
Terminals		
Max. conductor size	6 mm ² (10 mm ² for -E10)	6 mm ² (10 mm ² for -E10)
Order Codes	27-54P3-4211/1210	27-54P3-4431/1B10
-E10	27-54P3-4321/3B10	

Cold applied kits, explosion protected, with heating cable grommets

CAK-PLG , cold applied kit, for PBS-310-E, PBM-310-E for power limiting heating cables BPL	27-59CX-E101/0001
CAK-E5 , cold applied end seals (5pc per set, with RTV) for power limiting heating cables BPL	27-59CZ-9000/0005
CAK-E10 , cold applied end seals (10pc per set, with RTV) for power limiting heating cables BPL	27-59CZ-9000/0010

Notice Technical data subject to change without notice.
No claims for damage arising from alternations, errors or misprints shall be allowed.