



- Specially designed for all types of non-armoured cables
- Compound filling for perfect sealing
- High quality strain relief on cables
- For Group II & III – Ex-d/e
- Easy assembly

The Barrier glands type 07-9431-3** are suitable for inserting single or multiple non armoured circular cables into Ex db enclosures with threaded entries and Ex eb or Ex tb enclosures having either threaded or plane entries.

Attachment of the glands to an enclosure is by means of the male threaded portion on the male body. The epoxy filling compound (epoxy putty) is used to seal cores and gland body together and to clamp the cables to prevent pulling or twisting forces being transmitted to the conductors' connections. IP66/68 protection (50 m for 30 minutes) is maintained when the glands are installed according to the operating instructions.

Explosion protection

Marking ATEX	⊕ II 2GD Ex db IIC Gb Ex eb IIC Gb Ex tb IIIC Db
Certification	CESI 19 ATEX 022 X
Marking IECEx	Ex db IIC Gb Ex eb IIC Gb Ex tb IIIC Db
Certification	IECEx CES 19.0009X
Suitable for use in	Group II, Gas Group IIC, Zone 1/Zone 2 Group III, Dust Group IIIC, Zone 21/Zone 22
Equipment Marking	Ex II 2GD Ex db IIC Gb Ex eb IIC Gb Ex tb IIIC Db
Other approvals and certificates, see www.bartec.com	

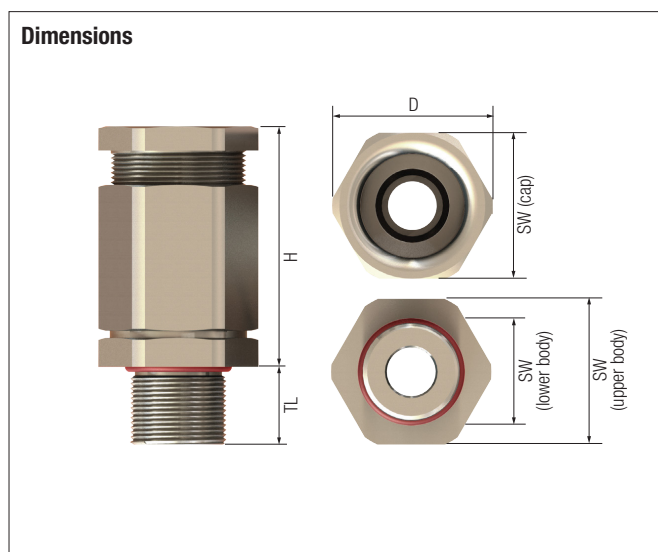
Technical data

Material	Body, Cap/Inner Part: Brass nickel plated, stainless steel, Seal/O-ring: CR (Chloroprene), Silicone
Protection class	IP 68 - 5 bar, 30 min, IP 66
Operating temperature	Seal Material Silicone: Standard -60 °C to +100 °C
Equipment for	Gas & Dust potentially explosive atmospheres
Thread type	Metric (M) ISO Pitch 1.5 NPT (N) ANSI ASME B1.20.1 Other thread types available upon request.
Cable type	Non Armoured
Accessories	Lock nuts, gaskets (washers), serrated washers, shrouds, earth tags

Note:
O-ring available in metric outer threads. Accessories must be ordered separately.

Our standard cable gland is nickel-plated brass with silicone seal material. The stainless steel version with silicone and chloroprene seal material is also available on request.

Dimensions and order numbers can be found in the table on the following page.





Ordering information

Thread type METRIC according to ISO 965 – 3

Outer Thread Size (Male)	Clamping Range Ø min-max mm	Over Conductors max Ø mm	Outer Thread Length TL mm	Spanner width			Outer Ø D mm	max. height H mm	Part Number	Max. No. of Cores	Need Barrier Compound Material per pc. (g)
				Cap mm	Upper Body mm	Lower Body mm					
M20x1,5	3,0 – 8,5	9,5	16,0	25	25	25	27,0	51,0	07-9431-34M200G1	9	7
	6,0 – 13,0	9,5	16,0	25	25	25	27,0	51,0	07-9431-34M200R1	9	7
	8,0 - 15,0	9,5	16,0	25	25	25	27,0	51,0	07-9431-34M20001	9	7
	13,5 - 21,0	12,0	16,0	30	30	30	33,0	52,5	07-9431-34M200L1	11	9
M25x1,5	8,0 - 15,0	9,5	16,0	25	25	30	33,0	51,0	07-9431-34M300R1	9	7
	13,5 - 21,0	12,0	16,0	30	30	30	33,0	52,5	07-9431-34M30001	11	9
	18,0 - 27,0	15,0	16,0	40	40	40	44,5	60,0	07-9431-34M300L1	22	20
M32x1,5	18,0 - 27,0	15,0	16,0	40	40	40	44,5	60,0	07-9431-34M40001	22	20
	23,0 - 33,0	21,5	16,0	43	43	43	47,0	61,5	07-9431-34M400L1	36	31
M40x1,5	23,0 – 33,0	21,5	16,0	43	43	45	50,0	61,5	07-9431-34M500R1	36	31
	29,0 - 40,0	29,0	16,0	50	50	50	55,5	69,5	07-9431-34M50001	55	60
M50x1,5	29,0 – 40,0	29,0	16,0	50	50	55	61,0	69,5	07-9431-34M600R1	55	60
	35,0 - 48,0	37,0	16,0	58	58	58	64,0	75,0	07-9431-34M60001	75	90
M63x1,5	35,0 - 48,0	37,0	20,0	58	58	68	75,0	75,0	07-9431-34M700R1	75	90
	42,0 - 56,0	46,0	20,0	75	75	75	83,0	97,5	07-9431-34M70001	99	193
M75x1,5	42,0 – 56,0	46,0	20,0	75	75	80	89,0	97,5	07-9431-34M800R1	99	193
	54,0 - 70,0	58,0	20,0	100	100	100	110,5	106,5	07-9431-34M80001	129	337
M90x1,5	54,0 – 70,0	58,0	20,0	100	100	100	110,5	106,5	07-9431-34M90001	129	337

* Compound material is served as 50 g standard.

Thread Type NPT according to ANSI ASME B1.20.1

Outer Thread Size (Male)	Clamping Range Ø min-max mm	Over Conductors max Ø mm	Outer Thread Length TL mm	Spanner width			Outer Ø D mm	max. height H mm	Part Number	Max. No. of Cores	Need Barrier Compound Material per pc. (g)
				Cap mm	Upper Body mm	Lower Body mm					
NPT 1/2"	3,0 – 8,5	9,5	21,0	25	25	25	27,0	51,0	07-9431-34N200G1	9	7
	6,0 – 13,0	9,5	21,0	25	25	25	27,0	51,0	07-9431-34N200R1	9	7
	8,0 - 15,0	9,5	21,0	25	25	25	27,0	51,0	07-9431-34N20001	9	7
	13,5 - 21,0	12,0	21,0	30	30	30	33,0	52,5	07-9431-34N200L1	11	9
NPT 3/4"	8,0 - 15,0	9,5	21,0	25	25	30	33,0	51,0	07-9431-34N300R1	9	7
	13,5 - 21,0	12,0	21,0	30	30	30	33,0	52,5	07-9431-34N30001	11	9
	18,0 - 27,0	15,0	21,0	40	40	40	44,5	60,0	07-9431-34N300L1	22	20
NPT 1"	18,0 - 27,0	15,0	26,0	40	40	40	44,5	60,0	07-9431-34N40001	22	20
	23,0 - 33,0	21,5	26,0	43	43	43	47,0	61,5	07-9431-34N400L1	36	31
NPT 1 1/4"	23,0 - 33,0	21,5	28,0	43	43	45	50,0	61,5	07-9431-34N500R1	36	31
	29,0 - 40,0	29,0	28,0	50	50	50	55,5	69,5	07-9431-34N50001	55	60
NPT 1 1/2"	29,0 - 40,0	29,0	28,0	50	50	55	61,0	69,5	07-9431-34N60001	75	60
NPT 2"	35,0 - 48,0	37,0	28,0	58	58	65	72,0	75,0	07-9431-34N70001	99	90
NPT 2 1/2"	42,0 - 56,0	46,0	41,0	75	75	80	89,0	97,5	07-9431-34N80001	129	193
NPT 3"	54,0 - 70,0	58,0	43,0	100	100	100	110,5	106,5	07-9431-34N90001	129	337

* Compound material is served as 50 g standard.