



- Specially designed for all types of armoured cables
- Compound filling for perfect sealing
- High quality strain relief on cables
- For Group II & III – Ex-d/e
- Easy assembly

The Barrier glands type 07-9431-2\*\* are suitable for inserting single or multiple armoured circular cables into Ex db enclosures with threaded entries and Ex eb or Ex tb enclosures having either threaded or plane entries.

Attachment of the glands to an enclosure is by means of the male threaded portion on the male body. The epoxy filling compound (epoxy putty) is used to seal cores and gland body together and to clamp the cables to prevent pulling or twisting forces being transmitted to the conductors' connections. IP66/68 protection (50 m for 30 minutes) is maintained when the glands are installed according to the operating instructions.

**Explosion protection**

|  |   |
|--|---|
| Marking ATEX   | ⊕ II 2GD Ex db IIC Gb<br>Ex eb IIC Gb<br>Ex tb IIIC Db                                |
| Certification  | CESI 19 ATEX 022 X  |
| Marking IECEx  | Ex db IIC Gb<br>Ex eb IIC Gb<br>Ex tb IIIC Db   |
| Certification  | IECEx CES 19.0009X  |
| Suitable for use in  | Group II, Gas Group IIC, Zone 1/Zone 2<br>Group III, Dust Group IIIC, Zone 21/Zone 22 |
| Equipment Marking  | Ex II 2GD<br>Ex db IIC Gb<br>Ex eb IIC Gb<br>Ex tb IIIC Db                            |
| Other approvals and certificates, see <a href="http://www.bartec.com">www.bartec.com</a> |   |

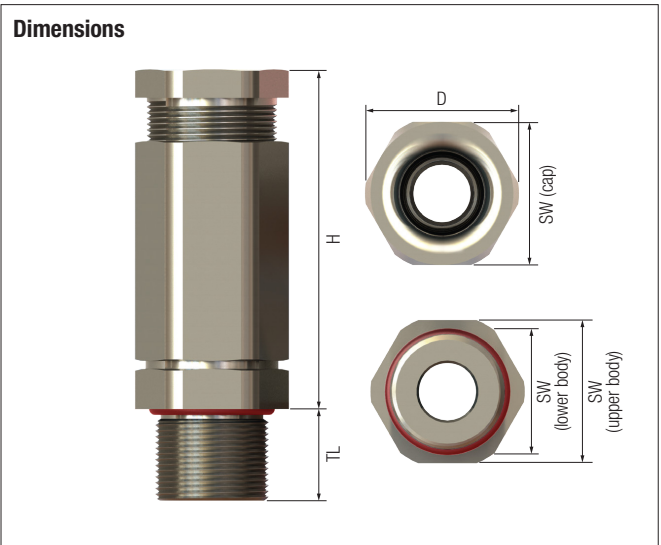
**Technical data**

|                       |  |
|-----------------------|--|
| Material              | Body, Cap/Inner Part:<br>Brass nickel plated, stainless steel,<br>Seal/O-ring:<br>CR (Chloroprene), Silicone |
| Protection class      | IP 68 - 5 bar, 30 min, IP 66   |
| Operating temperature | Seal Material Silicone:<br>Standard -60 °C to +100 °C  |
| Equipment for         | Gas & Dust potentially explosive atmospheres   |
| Thread type           | Metric (M) ISO Pitch 1.5<br>NPT (N) ANSI ASME B1.20.1<br>Other thread types available upon request.          |
| Cable type            | SWA - SWB - STA - Shielded   |
| Accessories           | Lock nuts, gaskets (washers),<br>serrated washers, shrouds, earth tags                                       |

Note:  
O-ring available in metric outer threads. Accessories must be ordered separately.

Our standard cable gland is nickel-plated brass with silicone seal material. The stainless steel version with silicone and chloroprene seal material is also available on request.

Dimensions and order numbers can be found in the table on the following page.





Ordering information

Thread type METRIC according to ISO 965 – 3

| Outer Thread Size (Male) | Clamping Range Ø min-max mm | Over Conductors max Ø mm | Armour Wire max Ø mm | Outer Thread Length TL mm | Spanner width |               |               | Outer Ø D mm | max. height H mm | Part Number      | Max. No. of Cores | Need Barrier Compound Material per pc. (g) |
|--------------------------|-----------------------------|--------------------------|----------------------|---------------------------|---------------|---------------|---------------|--------------|------------------|------------------|-------------------|--|
|                          |                             |                          |                      |                           | Cap mm        | Upper Body mm | Lower Body mm |              |                  |                  |                   |  |
| <b>M20x1,5</b>           | 3,0 - 8,5                   | 9,5                      | 1,3                  | 16,0                      | 25            | 25            | 25            | 27,0         | 63,5             | 07-9431-25M200G1 | 9                 | 7  |
|                          | 6,0 - 13,0                  | 9,5                      | 1,3                  | 16,0                      | 25            | 25            | 25            | 27,0         | 63,5             | 07-9431-25M200R1 | 9                 | 7  |
|                          | 8,0 - 15,0                  | 9,5                      | 1,3                  | 16,0                      | 25            | 25            | 25            | 27,0         | 63,5             | 07-9431-25M20001 | 9                 | 7  |
|                          | 13,5 - 21,0                 | 12,0                     | 1,3                  | 16,0                      | 30            | 30            | 30            | 33,0         | 65,0             | 07-9431-25M200L1 | 11                | 9  |
| <b>M25x1,5</b>           | 8,0 - 15,0                  | 9,5                      | 1,3                  | 16,0                      | 25            | 25            | 30            | 33,0         | 63,5             | 07-9431-25M300R1 | 9                 | 7  |
|                          | 13,5 - 21,0                 | 12,0                     | 1,3                  | 16,0                      | 30            | 30            | 30            | 33,0         | 65,0             | 07-9431-25M30001 | 11                | 9  |
|                          | 18,0 - 27,0                 | 15,0                     | 1,6                  | 16,0                      | 40            | 40            | 40            | 44,5         | 72,5             | 07-9431-25M300L1 | 22                | 20   |
| <b>M32x1,5</b>           | 18,0 - 27,0                 | 15,0                     | 1,6                  | 16,0                      | 40            | 40            | 40            | 44,5         | 72,5             | 07-9431-25M40001 | 22                | 20   |
|                          | 23,0 - 33,0                 | 21,5                     | 1,6                  | 16,0                      | 43            | 43            | 43            | 47,0         | 74,5             | 07-9431-25M400L1 | 36                | 31   |
| <b>M40x1,5</b>           | 23,0 - 33,0                 | 21,5                     | 1,6                  | 16,0                      | 43            | 43            | 45            | 50,0         | 74,5             | 07-9431-25M500R1 | 36                | 31   |
|                          | 29,0 - 40,0                 | 29,0                     | 2,0                  | 16,0                      | 50            | 50            | 50            | 55,5         | 82,5             | 07-9431-25M50001 | 55                | 60   |
| <b>M50x1,5</b>           | 29,0 - 40,0                 | 29,0                     | 2,0                  | 16,0                      | 50            | 50            | 55            | 61,0         | 82,5             | 07-9431-25M600R1 | 55                | 60   |
|                          | 35,0 - 48,0                 | 37,0                     | 2,5                  | 16,0                      | 58            | 58            | 58            | 64,0         | 90,5             | 07-9431-25M60001 | 75                | 90   |
| <b>M63x1,5</b>           | 35,0 - 48,0                 | 37,0                     | 2,5                  | 20,0                      | 58            | 58            | 68            | 75,0         | 90,5             | 07-9431-25M700R1 | 75                | 90   |
|                          | 42,0 - 56,0                 | 46,0                     | 2,5                  | 20,0                      | 75            | 75            | 75            | 83,0         | 120,0            | 07-9431-25M70001 | 99                | 193  |
| <b>M75x1,5</b>           | 42,0 - 56,0                 | 46,0                     | 2,5                  | 20,0                      | 75            | 75            | 80            | 89,0         | 120,0            | 07-9431-25M800R1 | 99                | 193  |
|                          | 54,0 - 70,0                 | 58,0                     | 3,2                  | 20,0                      | 100           | 100           | 100           | 110,5        | 126,0            | 07-9431-25M80001 | 129               | 337  |
| <b>M90x1,5</b>           | 54,0 - 70,0                 | 58,0                     | 3,2                  | 20,0                      | 100           | 100           | 100           | 110,5        | 126,0            | 07-9431-25M90001 | 129               | 337  |

\* Compound material is served 50 g standard.

Thread Type NPT according to ANSI ASME B1.20.1

| Outer Thread Size (Male) | Clamping Range Ø min-max mm | Over Conductors max Ø mm | Armour Wire max Ø mm | Outer Thread Length TL mm | Spanner width |               |               | Outer Ø D mm | max. height H mm | Part Number      | Max. No. of Cores | Need Barrier Compound Material per pc. (g) |
|--------------------------|-----------------------------|--------------------------|----------------------|---------------------------|---------------|---------------|---------------|--------------|------------------|------------------|-------------------|--|
|                          |                             |                          |                      |                           | Cap mm        | Upper Body mm | Lower Body mm |              |                  |                  |                   |  |
| <b>NPT1/2</b>            | 3,0 - 8,5                   | 9,5                      | 1,3                  | 16,0                      | 25            | 25            | 25            | 27,0         | 63,5             | 07-9431-25N200G1 | 9                 | 7  |
|                          | 6,0 - 13,0                  | 9,5                      | 1,3                  | 21,0                      | 25            | 25            | 25            | 27,0         | 63,5             | 07-9431-25N200R1 | 9                 | 7  |
|                          | 8,0 - 15,0                  | 9,5                      | 1,3                  | 21,0                      | 25            | 25            | 25            | 27,0         | 63,5             | 07-9431-25N20001 | 9                 | 7  |
|                          | 13,5 - 21,0                 | 12,0                     | 1,3                  | 21,0                      | 30            | 30            | 30            | 33,0         | 65,0             | 07-9431-25N200L1 | 11                | 9  |
| <b>NPT3/4"</b>           | 8,0 - 15,0                  | 9,5                      | 1,3                  | 21,0                      | 25            | 25            | 30            | 33,0         | 63,5             | 07-9431-25N300R1 | 9                 | 7  |
|                          | 13,5 - 21,0                 | 12,0                     | 1,3                  | 21,0                      | 30            | 30            | 30            | 33,0         | 65,0             | 07-9431-25N30001 | 22                | 9  |
|                          | 18,0 - 27,0                 | 15,0                     | 1,6                  | 21,0                      | 40            | 40            | 40            | 44,5         | 72,5             | 07-9431-25N300L1 | 22                | 20   |
| <b>NPT1"</b>             | 18,0 - 27,0                 | 15,0                     | 1,6                  | 26,0                      | 40            | 40            | 40            | 44,5         | 72,5             | 07-9431-25N40001 | 22                | 20   |
|                          | 23,0 - 33,0                 | 21,5                     | 1,6                  | 26,0                      | 43            | 43            | 43            | 47,0         | 74,5             | 07-9431-25N400L1 | 36                | 31   |
| <b>NPT1 1/4"</b>         | 23,0 - 33,0                 | 21,5                     | 1,6                  | 28,0                      | 43            | 43            | 45            | 50,0         | 74,5             | 07-9431-25N500R1 | 36                | 31   |
|                          | 29,0 - 40,0                 | 29,0                     | 2,0                  | 28,0                      | 50            | 50            | 50            | 55,5         | 82,5             | 07-9431-25N50001 | 55                | 60   |
| <b>NPT1 1/2"</b>         | 29,0 - 40,0                 | 29,0                     | 2,0                  | 28,0                      | 50            | 50            | 55            | 61,0         | 82,5             | 07-9431-25N60001 | 75                | 60   |
| <b>NPT 2"</b>            | 35,0 - 48,0                 | 37,0                     | 2,5                  | 28,0                      | 58            | 58            | 65            | 72,0         | 90,5             | 07-9431-25N70001 | 99                | 90   |
| <b>NPT2 1/2"</b>         | 42,0 - 56,0                 | 46,0                     | 2,5                  | 41,0                      | 75            | 75            | 80            | 89,0         | 120,0            | 07-9431-25N80001 | 129               | 193  |
| <b>NPT3"</b>             | 54,0 - 70,0                 | 58,0                     | 3,2                  | 43,0                      | 100           | 100           | 100           | 110,5        | 126,0            | 07-9431-25N90001 | 129               | 337  |

\* Compound material is served as 50 g standard.