



- Specially designed for steel and aluminium wire armoured cables
- Grounding continuity are ensured through the armour wire clamping arrangement
- High quality strain relief on cables
- Double compression: under cable armour and on the cable jacket (inner and outer sealing)
- Easy assembly

The standard cable glands type 07-9430-12 and 07-9430-12****T (low temperature) are suitable for inserting circular cables into Ex db enclosures with threaded entries and Ex eb or Ex tb enclosures having either threaded or plane entries. They are suitable for use in Zone 1, 2 for gas groups IIA, IIB and IIC and for use in Zone 21 and 22 for dust groups IIIA, IIIB and IIIC. The glands are fastened to the enclosure via the external thread section on the gland outer body. An elastomeric inner sealing ring is used in each gland type to facilitate sealing between the cable and the gland body and to clamp the cable so that no tensile or torsional forces are transmitted to the conductor connections. IP66/68 protection (50 m for 30 minutes) is maintained when the glands are installed according to the operating instructions.

Explosion protection

Marking ATEX	Ⓜ I M2 Ex db I Mb Ex db eb I Mb Ⓜ II 2GD Ex db IIC Gb Ex eb IIC Gb Ex tb IIIC Db
Certification	CESI 18 ATEX 039 X
Marking IECEx	Ex db I Mb Ex db eb I Mb Ex db IIC Gb Ex eb IIC Gb Ex tb IIIC Db
Certification	IECEx CES 18.0041X
Suitable for use in	Group I, Mining Group II, Gas Group IIC, Zone 1/Zone 2 Group III, Dust Group IIIC, Zone 21/Zone 22
Equipment Marking	Ex db I Mb Ex db eb I Mb Ex II 2GD Ex db IIC Gb Ex eb IIC Gb Ex tb IIIC Db
Other approvals and certificates, see www.bartec.de	

Technical data

Material	Body, Cap/Inner Part: Brass nickel plated, stainless steel, Seal/O-ring: CR (Chloroprene), Silicone
Protection class	IP 68 - 5 bar, 30 min, IP 66
Operating temperature	Seal Material CR (Chloroprene): Standard -40 °C to +100 °C T Type -40 °C to + 80 °C Group I -40 °C to + 80 °C Seal Material Silicone: Standard -60 °C to +130 °C T Type -60 °C to + 80 °C Group I -60 °C to + 80 °C
Equipment for	Gas & Dust potentially explosive atmospheres
Thread type	Metric (M) ISO Pitch 1.5 NPT (N) ANSI ASME B1.20.1 Other thread types available upon request.
Cable type	SWA - AWA
Accessories	Lock nuts, gaskets (washers), serrated washers, shrouds, earth tags

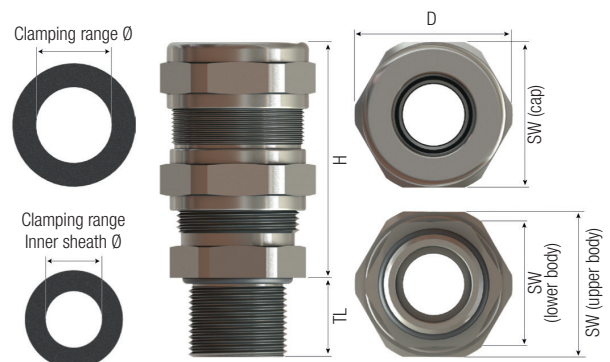
Note:

O-ring available in metric outer threads. Accessories must be ordered separately.

Our standard cable gland is nickel-plated brass with silicone seal material. The stainless steel version with silicone and chloroprene seal material is also available on request.

Dimensions and order numbers can be found in the table on the following page.

Dimensions





Ordering information

Thread type METRIC according to ISO 965 - 3

Outer thread size (male)	Clamping range		Armour wire	Outer thread length	Spanner width			Outer Ø	Max. height	Order no.
	Inner sheath Ø min.-max. mm	Ø min.-max. mm	Ø min.-max. mm	TL mm	Cap SW mm	Upper body SW mm	Lower body SW mm	D mm	H mm	
M12 x 1.5	2.0 - 4.0	3.0 - 5.5	0.10 - 0.40	15.0	17	17	17	18.9	62.5	07-9430-12M000R1
	3.0 - 7.5	6.0 - 12.0	0.70 - 1.20	15.0	26	26	22	29.0	50.5	07-9430-12M00001
M16 x 1.5	3.0 - 8.5	6.0 - 12.0	0.70 - 1.20	16.0	26	26	22	29.0	49.5	07-9430-12M100R1
	6.0 - 12.0	8.5 - 16.0	0.70 - 1.25	16.0	29	29	25	31.5	52.0	07-9430-12M10001
M20 x 1.5	3.0 - 8.5	6.0 - 12.0	0.70 - 1.20	16.0	26	26	24	29.0	50.0	07-9430-12M200R1
	6.0 - 12.0	8.5 - 16.0	0.70 - 1.25	16.0	29	29	25	31.5	51.5	07-9430-12M20001
	8.5 - 14.5	12.0 - 20.0	0.90 - 1.30	16.0	32	30	28	35.0	54.0	07-9430-12M200L1
M25 x 1.5	3.0 - 8.5	6.0 - 12.0	0.70 - 1.20	18.0	26	26	29	31.5	50.0	07-9430-12M300G1
	6.0 - 12.0	8.5 - 16.0	0.70 - 1.25	18.0	29	29	29	31.5	52.5	07-9430-12M300R1
	8.5 - 16.0	12.0 - 21.0	0.70 - 1.20	18.0	34	34	32	37.0	56.5	07-9430-12M30001
	12.0 - 20.0	16.0 - 26.0	1.30 - 1.70	18.0	40	40	36	44.0	63.0	07-9430-12M300L1
M32 x 1.5	6.0 - 12.0	8.5 - 16.0	0.70 - 1.25	18.0	29	29	36	39.8	52.5	07-9430-12M400G1
	12.0 - 20.0	16.0 - 26.0	1.30 - 1.70	18.0	40	40	40	44.0	64.0	07-9430-12M400R1
	15.0 - 26.0	20.0 - 33.0	1.20 - 1.80	18.0	52	52	48	57.0	81.0	07-9430-12M40001
M40 x 1.5	12.0 - 20.0	16.0 - 26.0	1.30 - 1.70	18.0	40	40	45	50.0	64.0	07-9430-12M500G1
	15.0 - 26.0	20.0 - 33.0	1.20 - 1.80	18.0	52	52	48	57.0	81.0	07-9430-12M500R1
	20.0 - 32.0	29.0 - 41.0	1.60 - 2.20	18.0	60	60	55	66.0	92.0	07-9430-12M50001
M50 x 1.5	15.0 - 26.0	20.0 - 33.0	1.20 - 1.80	18.0	52	52	54	60.0	81.0	07-9430-12M600G1
	20.0 - 32.0	29.0 - 41.0	1.60 - 2.20	18.0	60	60	55	66.0	92.0	07-9430-12M600M1
	22.0 - 35.0	33.0 - 48.0	2.00 - 2.80	18.0	75	70	60	83.0	100.0	07-9430-12M600R1
	27.0 - 41.0	36.0 - 52.0	1.80 - 2.80	18.0	74	70	70	81.8	104.5	07-9430-12M60001
M63 x 1.5	22.0 - 35.0	33.0 - 48.0	2.00 - 2.80	20.0	75	70	68	83.0	100.0	07-9430-12M700G1
	27.0 - 41.0	36.0 - 52.0	1.80 - 2.80	20.0	74	70	70	81.8	104.5	07-9430-12M700M1
	35.0 - 45.0	43.0 - 57.0	1.80 - 2.80	20.0	80	80	75	89.5	109.5	07-9430-12M700R1
	40.0 - 52.0	47.0 - 60.0	1.80 - 2.80	20.0	85	85	85	94.0	111.5	07-9430-12M70001
	45.0 - 56.0	54.0 - 70.0	1.30 - 2.50	20.0	100	95	90	110.5	128.5	07-9430-12M700L1
M75 x 1.5	35.0 - 45.0	43.0 - 57.0	1.80 - 2.80	20.0	80	80	85	94.0	109.5	07-9430-12M800G1
	40.0 - 52.0	47.0 - 60.0	1.80 - 2.80	20.0	85	85	85	94.0	111.5	07-9430-12M800R1
	45.0 - 60.0	54.0 - 70.0	1.00 - 2.30	20.0	100	95	90	110.5	127.5	07-9430-12M80001
M90 x 1.5	40.0 - 52.0	47.0 - 60.0	1.80 - 2.80	20.0	85	85	100	110.5	111.5	07-9430-12M900G1
	45.0 - 60.0	54.0 - 70.0	1.00 - 2.30	20.0	100	95	95	110.5	127.5	07-9430-12M900R1
	60.0 - 72.0	63.0 - 80.0	1.00 - 3.50	20.0	115	115	110	127.0	158.0	07-9430-12M90001
M110 x 1.5	45.0 - 60.0	54.0 - 70.0	1.00 - 2.30	20.0	100	95	120	128.0	127.5	07-9430-12MB00R1
	60.0 - 72.0	63.0 - 80.0	1.00 - 3.50	20.0	115	115	120	128.0	158.0	07-9430-12MB0001

Ordering information

Thread type METRIC according to ISO 965-3 (T type)

Outer thread size (male)	Clamping range		Armour wire	Outer thread length	Spanner width			Outer Ø	Max. height	Order no.
	Inner sheath Ø min.-max. mm	Ø min.-max. mm	Ø min.-max. mm	TL mm	Cap SW mm	Upper body SW mm	Lower body SW mm	D mm	H mm	
M90 x 2,0	70,0 - 82,0	78,0 - 90,0	1,5 - 4,4	20,0	120	120	120	134,0	159,5	07-9430-12M900LT
M100 x 2,0	80,0 - 92,0	88,0 - 100,0	1,2 - 4,0	20,0	135	135	135	150,0	169,0	07-9430-12MA000T
M110 x 2,0	90,0 - 101,0	98,0 - 110,0	2,1 - 5,4	20,0	145	145	145	162,0	180,0	07-9430-12MB000T
M130 x 2,0	100,0 - 115,0	109,0 - 123,0	2,0 - 5,4	24,0	160	160	160	176,0	202,0	07-9430-12MD000T



Ordering information

Thread type NPT according to ANSI ASME B1.20.1

Outer thread size (male)	Clamping range		Armour wire	Outer thread length	Spanner width			Outer Ø	Max. height	Order no.
	Inner sheath Ø min.-max. mm	Ø min.-max. mm	Ø min.-max. mm	TL mm	Cap SW mm	Upper body SW mm	Lower body SW mm	D mm	H mm	
NPT 1/4"	2.0 - 4.0	3.0 - 5.5	0.10 - 0.40	15.0	17	17	17	18.9	62.5	07-9430-12N000R1
	3.0 - 8.0	6.0 - 12.0	0.70 - 1.20	15.0	26	26	22	29.0	50.0	07-9430-12N00001
NPT 3/8"	3.0 - 8.5	6.0 - 12.0	0.70 - 1.20	16.0	26	26	22	29.0	49.5	07-9430-12N100R1
	6.0 - 12.0	8.5 - 16.0	0.70 - 1.25	16.0	29	29	25	31.5	52.0	07-9430-12N10001
NPT 1/2"	3.0 - 8.5	6.0 - 12.0	0.70 - 1.20	21.0	26	26	24	29.0	49.5	07-9430-12N200R1
	6.0 - 12.0	8.5 - 16.0	0.70 - 1.25	21.0	29	29	25	31.5	51.0	07-9430-12N20001
	8.5 - 14.5	12.0 - 20.0	0.90 - 1.30	21.0	32	30	28	35.0	54.0	07-9430-12N200L1
NPT 3/4"	3.0 - 8.5	6.0 - 12.0	0.70 - 1.20	21.0	26	26	29	31.5	50.0	07-9430-12N300G1
	6.0 - 12.0	8.5 - 16.0	0.70 - 1.25	21.0	29	29	29	31.5	52.5	07-9430-12N300R1
	8.5 - 16.0	12.0 - 21.0	0.70 - 1.20	21.0	34	34	32	37.0	56.5	07-9430-12N30001
	12.0 - 20.0	16.0 - 26.0	1.30 - 1.70	21.0	40	40	36	44.0	62.5	07-9430-12N300L1
NPT 1"	6.0 - 12.0	8.5 - 16.0	0.70 - 1.25	26.0	29	29	36	39.8	52.5	07-9430-12N400G1
	12.0 - 20.0	16.0 - 26.0	1.30 - 1.70	26.0	40	40	40	44.0	64.0	07-9430-12N400R1
	15.0 - 26.0	20.0 - 33.0	1.20 - 1.80	26.0	52	52	48	57.0	80.5	07-9430-12N40001
NPT 1 1/4"	12.0 - 20.0	16.0 - 26.0	1.30 - 1.70	28.0	40	40	45	50.0	64.0	07-9430-12N500G1
	15.0 - 26.0	20.0 - 33.0	1.20 - 1.80	28.0	52	52	48	57.0	81.0	07-9430-12N500R1
	20.0 - 32.0	29.0 - 41.0	1.60 - 2.20	28.0	60	60	55	66.0	92.0	07-9430-12N50001
NPT 1 1/2"	15.0 - 26.0	20.0 - 33.0	1.20 - 1.80	28.0	52	52	54	60.0	81.0	07-9430-12N600G1
	20.0 - 32.0	29.0 - 41.0	1.60 - 2.20	28.0	60	60	55	66.0	92.0	07-9430-12N600N1
	22.0 - 35.0	33.0 - 48.0	2.00 - 2.80	28.0	75	70	60	83.0	100.0	07-9430-12N600R1
	27.0 - 41.0	36.0 - 52.0	1.80 - 2.80	28.0	74	70	70	81.8	104.5	07-9430-12N60001
NPT 2"	22.0 - 35.0	33.0 - 48.0	2.00 - 2.80	28.0	75	70	68	83.0	100.0	07-9430-12N700G1
	27.0 - 41.0	36.0 - 52.0	1.80 - 2.80	28.0	74	70	70	81.8	104.5	07-9430-12N700N1
	35.0 - 45.0	43.0 - 57.0	1.80 - 2.80	28.0	80	80	75	89.5	109.5	07-9430-12N700R1
	40.0 - 52.0	47.0 - 60.0	1.80 - 2.80	28.0	85	85	85	94.0	111.5	07-9430-12N70001
	45.0 - 52.0	54.0 - 70.0	1.30 - 2.50	28.0	100	95	90	110.5	128.5	07-9430-12N700L1
NPT 2 1/2"	35.0 - 45.0	43.0 - 57.0	1.80 - 2.80	41.0	80	80	80	89.5	109.0	07-9430-12N800G1
	40.0 - 52.0	47.0 - 60.0	1.80 - 2.80	41.0	85	85	85	94.0	111.5	07-9430-12N800R1
	45.0 - 60.0	54.0 - 70.0	1.00 - 2.30	41.0	100	95	90	110.5	127.5	07-9430-12N80001
NPT 3"	40.0 - 52.0	47.0 - 60.0	1.80 - 2.80	43.0	85	85	95	105.0	111.5	07-9430-12N900G1
	45.0 - 60.0	54.0 - 70.0	1.00 - 2.30	43.0	100	95	95	110.5	127.5	07-9430-12N900R1
	60.0 - 72.0	63.0 - 80.0	1.00 - 3.50	43.0	115	115	110	127.0	158.0	07-9430-12N90001
NPT 3 1/2"	45.0 - 60.0	54.0 - 70.0	1.00 - 2.30	45.0	100	95	110	123.0	127.5	07-9430-12NB00R1
	60.0 - 72.0	63.0 - 80.0	1.00 - 3.50	45.0	115	115	110	127.0	158.0	07-9430-12NB0001

Ordering information

Thread type NPT according to ANSI ASME B1.20.1 (T type)

Outer thread size (male)	Clamping range		Armour wire	Outer thread length	Spanner width			Outer Ø	Max. height	Order no.
	Inner sheath Ø min.-max. mm	Ø min.-max. mm	Ø min.-max. mm	TL mm	Cap SW mm	Upper body SW mm	Lower body SW mm	D mm	H mm	
NPT 3 1/2"	70,0 - 82,0	78,0 - 90,0	1,5 - 4,4	45,0	120	120	120	134,0	159,5	07-9430-12N900LT
NPT 4"	80,0 - 92,0	88,0 - 100,0	1,2 - 4,0	46,0	135	135	135	150,0	169,0	07-9430-12NB00RT
	90,0 - 101,0	98,0 - 110,0	2,1 - 5,4	46,0	145	145	145	162,0	180,0	07-9430-12NB000T
NPT 5"	100,0 - 115,0	109,0 - 123,0	2,0 - 5,4	48,0	160	160	160	176,0	202,0	07-9430-12NC000T