



- Specially designed for steel wire armoured, steel wire braid as well as shielded cables.
- Grounding continuity are ensured through the armour/ braid wire clamping
- High quality strain relief on cables
- Double compression: under cable armour and on the cable jacket (inner and outer sealing)
- Easy assembly

The offshore cable glands type 07-9430-22 and 07-9430-22****T (low temperature) are suitable for inserting circular cables into Ex db enclosures with threaded entries and Ex eb or Ex tb enclosures having either threaded or plane entries. They are suitable for use in Zone 1, 2 for gas groups IIA, IIB and IIC and for use in Zone 21 and 22 for dust groups IIIA, IIIB and IIIC. The glands are fastened to the enclosure via the external thread section on the gland outer body. An elastomeric inner sealing ring is used in each gland type to facilitate sealing between the cable and the gland body and to clamp the cable so that no tensile or torsional forces are transmitted to the conductor connections. IP66/68 protection (50 m for 30 minutes) is maintained when the glands are installed according to the operating instructions.

Explosion protection

Marking ATEX	II 2GD Ex db IIC Gb Ex eb IIC Gb Ex tb IIIC Db
Certification	CESI 18 ATEX 039 X
Marking IECEx	Ex db IIC Gb Ex eb IIC Gb Ex tb IIIC Db
Certification	IECEx CES 18.0041X
Suitable for use in	Group II, Gas Group IIC, Zone 1/Zone 2 Group III, Dust Group IIIC, Zone 21/Zone 22
Equipment Marking	Ex II 2GD Ex db IIC Gb Ex eb IIC Gb Ex tb IIIC Db
Other approvals and certificates, see www.bartec.de	

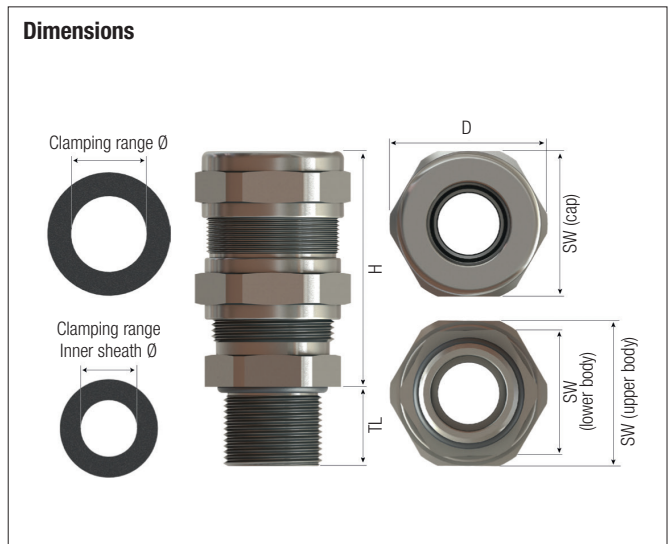
Technical data

Material	Body, Cap/Inner Part: Brass nickel plated, stainless steel, Seal/O-ring: CR (Chloroprene), Silicone
Protection class	IP 68 - 5 bar, 30 min, IP 66
Operating temperature	Seal Material CR (Chloroprene): Standard -40 °C to +100 °C T Type -40 °C to + 80 °C Standard -60 °C to +130 °C T Type -60 °C to + 80 °C
Equipment for	Gas & Dust potentially explosive atmospheres
Thread type	Metric (M) ISO Pitch 1.5 NPT (N) ANSI ASME B1.20.1 Other thread types available upon request.
Cable type	SWB, STA - Shielded
Accessories	Lock nuts, gaskets (washers), serrated washers, shrouds, earth tags

Note:
O-ring available in metric outer threads. Accessories must be ordered separately.

Our standard cable gland is nickel-plated brass with silicone seal material. The stainless steel version with silicone and chloroprene seal material is also available on request.

Dimensions and order numbers can be found in the table on the following page.





Ordering information

Thread type METRIC according to ISO 965 - 3

Outer thread size (male)	Clamping range		Shield wire	Outer thread length	Spanner width			Outer Ø	Max. height	Order no.
	Inner sheath Ø min.-max. mm	Ø min.-max. mm	Ø min.-max. mm	TL mm	Cap SW mm	Upper body SW mm	Lower body SW mm	D mm	H mm	
M12 x 1.5	3.0 - 7.5	6.0 - 12.0	0.20 - 0.50	15	26	26	22	29.0	50.5	07-9430-22M00001
M16 x 1.5	3.0 - 8.5	6.0 - 12.0	0.20 - 0.50	16	26	26	22	29.0	49.5	07-9430-22M100R1
	6.0 - 12.0	8.5 - 16.0	0.20 - 0.50	16	29	29	25	31.5	52.0	07-9430-22M10001
M20 x 1.5	3.0 - 8.5	6.0 - 12.0	0.20 - 0.50	16	26	26	24	29.0	50.0	07-9430-22M200R1
	6.0 - 12.0	8.5 - 16.0	0.20 - 0.50	16	29	29	25	31.5	51.5	07-9430-22M20001
	8.5 - 14.5	12.0 - 20.0	0.20 - 0.50	16	32	30	28	35.0	54.0	07-9430-22M200L1
M25 x 1.5	3.0 - 8.5	6.0 - 12.0	0.20 - 0.50	18	26	26	29	31.5	50.0	07-9430-22M300G1
	6.0 - 12.0	8.5 - 16.0	0.20 - 0.50	18	29	29	29	31.5	52.5	07-9430-22M300R1
	8.5 - 16.0	12.0 - 21.0	0.20 - 0.40	18	34	34	32	37.0	56.5	07-9430-22M30001
	12.0 - 20.0	16.0 - 26.0	0.20 - 0.50	18	40	40	36	44.0	63.0	07-9430-22M300L1
M32 x 1.5	6.0 - 12.0	8.5 - 16.0	0.20 - 0.50	18	29	29	36	39.8	52.5	07-9430-22M400G1
	12.0 - 20.0	16.0 - 26.0	0.20 - 0.50	18	40	40	40	44.0	64.0	07-9430-22M400R1
	15.0 - 26.0	20.0 - 33.0	0.30 - 0.80	18	52	52	48	57.0	81.0	07-9430-22M40001
M40 x 1.5	12.0 - 20.0	16.0 - 26.0	0.20 - 0.50	18	40	40	45	50.0	64.0	07-9430-22M500G1
	15.0 - 26.0	20.0 - 33.0	0.30 - 0.80	18	52	52	48	57.0	81.0	07-9430-22M500R1
	20.0 - 32.0	29.0 - 41.0	0.15 - 0.75	18	60	60	55	66.0	92.0	07-9430-22M50001
M50 x 1.5	15.0 - 26.0	20.0 - 33.0	0.30 - 0.80	18	52	52	54	60.0	81.0	07-9430-22M600G1
	20.0 - 32.0	29.0 - 41.0	0.15 - 0.75	18	60	60	55	66.0	92.0	07-9430-22M600M1
	22.0 - 35.0	33.0 - 48.0	0.25 - 0.90	18	75	70	60	83.0	100.0	07-9430-22M600R1
	27.0 - 41.0	36.0 - 52.0	0.25 - 1.30	18	74	70	70	81.8	104.5	07-9430-22M60001
M63 x 1.5	22.0 - 35.0	33.0 - 48.0	0.25 - 0.90	20	75	70	68	83.8	100.0	07-9430-22M700G1
	27.0 - 41.0	36.0 - 52.0	0.25 - 1.30	20	74	70	70	81.8	104.5	07-9430-22M700M1
	35.0 - 45.0	43.0 - 57.0	0.40 - 1.10	20	80	80	75	89.5	109.5	07-9430-22M700R1
	40.0 - 52.0	47.0 - 60.0	0.30 - 1.30	20	85	85	85	94.0	111.5	07-9430-22M70001
M75 x 1.5	35.0 - 45.0	43.0 - 57.0	0.40 - 1.10	20	80	80	85	94.0	109.5	07-9430-22M800G1
	40.0 - 52.0	47.0 - 60.0	0.30 - 1.30	20	85	85	85	94.0	111.5	07-9430-22M800R1
	45.0 - 60.0	54.0 - 70.0	0.30 - 1.40	20	100	95	90	110.5	127.5	07-9430-22M80001
M90 x 1.5	40.0 - 52.0	47.0 - 60.0	0.30 - 1.30	20	85	85	100	110.5	111.5	07-9430-22M900G1
	45.0 - 60.0	54.0 - 70.0	0.30 - 1.40	20	100	95	95	110.5	127.5	07-9430-22M900R1
	60.0 - 72.0	63.0 - 80.0	0.30 - 3.30	20	115	115	110	127.0	158.0	07-9430-22M90001
M110 x 1.5	45.0 - 60.0	54.0 - 70.0	0.30 - 1.40	20	100	95	120	128.0	127.5	07-9430-22MB00R1
	60.0 - 72.0	63.0 - 80.0	0.30 - 3.30	20	115	115	120	128.0	158.0	07-9430-22MB0001



Ordering information

Thread type NPT according to ANSI ASME B1.20.1

Outer thread size (male)	Clamping range		Shield wire	Outer thread length	Spanner width			Outer Ø	Max. height	Order no.
	Inner sheath Ø min.-max. mm	Ø min.-max. mm	Ø min.-max. mm	TL mm	Cap SW mm	Upper body SW mm	Lower body SW mm	D mm	H mm	
NPT 1/4"	3.0 - 8.0	6.0 - 12.0	0.20 - 0.50	15.0	26	26	22	29.0	50.0	07-9430-22N00001
NPT 3/8"	3.0 - 8.5	6.0 - 12.0	0.20 - 0.50	16.0	26	26	22	29.0	49.5	07-9430-22N100R1
	6.0 - 12.0	8.5 - 16.0	0.20 - 0.50	16.0	29	29	25	31.5	52.0	07-9430-22N10001
NPT 1/2"	3.0 - 8.5	6.0 - 12.0	0.20 - 0.50	21.0	26	26	24	29.0	49.5	07-9430-22N200R1
	6.0 - 12.0	8.5 - 16.0	0.20 - 0.50	21.0	29	29	25	31.5	51.0	07-9430-22N20001
	8.5 - 14.5	12.0 - 20.0	0.20 - 0.50	21.0	32	30	28	35.0	54.0	07-9430-22N200L1
NPT 3/4"	3.0 - 8.5	6.0 - 12.0	0.20 - 0.50	21.0	26	26	29	31.5	50.0	07-9430-22N300G1
	6.0 - 12.0	8.5 - 16.0	0.20 - 0.50	21.0	29	29	29	31.5	52.5	07-9430-22N300R1
	8.5 - 16.0	12.0 - 21.0	0.20 - 0.40	21.0	34	34	32	37.0	56.5	07-9430-22N30001
	12.0 - 20.0	16.0 - 26.0	0.20 - 0.50	21.0	40	40	36	44.0	62.5	07-9430-22N300L1
NPT 1"	6.0 - 12.0	8.5 - 16.0	0.20 - 0.50	26.0	29	29	36	39.8	52.5	07-9430-22N400G1
	12.0 - 20.0	16.0 - 26.0	0.20 - 0.50	26.0	40	40	40	44.0	64.0	07-9430-22N400R1
	15.0 - 26.0	20.0 - 33.0	0.30 - 0.80	26.0	52	52	48	57.0	80.5	07-9430-22N40001
NPT 1 1/4"	12.0 - 20.0	16.0 - 26.0	0.20 - 0.50	28.0	40	40	45	50.0	64.0	07-9430-22N500G1
	15.0 - 26.0	20.0 - 33.0	0.30 - 0.80	28.0	52	52	48	57.0	81.0	07-9430-22N500R1
	20.0 - 32.0	29.0 - 41.0	0.15 - 0.75	28.0	60	60	55	66.0	92.0	07-9430-22N50001
NPT 1 1/2"	15.0 - 26.0	20.0 - 33.0	0.30 - 0.80	28.0	52	52	54	60.0	81.0	07-9430-22N600G1
	20.0 - 32.0	29.0 - 41.0	0.15 - 0.75	28.0	60	60	55	66.0	92.0	07-9430-22N600N1
	22.0 - 35.0	33.0 - 48.0	0.25 - 0.90	28.0	75	70	60	83.0	100.0	07-9430-22N600R1
	27.0 - 41.0	36.0 - 52.0	0.25 - 1.30	28.0	74	70	70	81.8	104.5	07-9430-22N60001
NPT 2"	22.0 - 35.0	33.0 - 48.0	0.25 - 0.90	28.0	75	70	68	83.0	100.0	07-9430-22N700G1
	27.0 - 41.0	36.0 - 52.0	0.25 - 1.30	28.0	74	70	70	81.8	104.5	07-9430-22N700N1
	35.0 - 45.0	43.0 - 57.0	0.40 - 1.10	28.0	80	80	75	89.5	109.5	07-9430-22N700R1
	40.0 - 52.0	47.0 - 60.0	0.30 - 1.30	28.0	85	85	85	94.0	111.5	07-9430-22N70001
NPT 2 1/2"	35.0 - 45.0	43.0 - 57.0	0.40 - 1.10	41.0	80	80	80	89.5	109.0	07-9430-22N800G1
	40.0 - 52.0	47.0 - 60.0	0.30 - 1.30	41.0	85	85	85	94.0	111.5	07-9430-22N800R1
	45.0 - 60.0	54.0 - 70.0	0.30 - 1.40	41.0	100	95	90	110.5	127.5	07-9430-22N80001
NPT 3"	40.0 - 52.0	47.0 - 60.0	0.30 - 1.30	43.0	85	85	95	105.0	111.5	07-9430-22N900G1
	45.0 - 60.0	54.0 - 70.0	0.30 - 1.40	43.0	100	95	95	110.5	127.5	07-9430-22N900R1
	60.0 - 72.0	63.0 - 80.0	0.30 - 3.30	43.0	115	115	110	127.0	158.0	07-9430-22N90001
NPT 3 1/2"	45.0 - 60.0	54.0 - 70.0	0.30 - 1.40	45.0	100	95	110	123.0	127.5	07-9430-22NA00R1
	60.0 - 72.0	63.0 - 80.0	0.30 - 3.30	45.0	115	115	110	127.0	158.0	07-9430-22NA0001