



- Specially designed for all types of armoured cables
- Grounding continuity are ensured through the armour/braid wire clamping arrangement
- High quality strain relief on cables
- Double compression: under cable armour and on the cable jacket (inner and outer sealing)
- Easy assembly

The universal cable glands type 07-9430-32 and 07-9430-32****T (low temperature) are suitable for inserting circular cables into Ex db enclosures with threaded entries and Ex eb or Ex tb enclosures having either threaded or plane entries. They are suitable for use in Zone 1, 2 for gas groups IIA, IIB and IIC and for use in Zone 21 and 22 for dust groups IIIA, IIIB and IIIC. The glands are fastened to the enclosure via the external thread section on the gland outer body. An elastomeric inner sealing ring is used in each gland type to facilitate sealing between the cable and the gland body and to clamp the cable so that no tensile or torsional forces are transmitted to the conductor connections. IP66/68 protection (50 m for 30 minutes) is maintained when the glands are installed according to the operating instructions.

Explosion protection

Marking ATEX	II 2GD Ex db IIC Gb Ex eb IIC Gb Ex tb IIIC Db
Certification	CESI 18 ATEX 039 X
Marking IECEx	Ex db IIC Gb Ex eb IIC Gb Ex tb IIIC Db
Certification	IECEx CES 18.0041X
Suitable for use in	Group II, Gas Group IIC, Zone 1/Zone 2 Group III, Dust Group IIIC, Zone 21/Zone 22
Equipment Marking	Ex II 2GD Ex db IIC Gb Ex eb IIC Gb Ex tb IIIC Db
Other approvals and certificates, see www.bartec.de	

Technical data

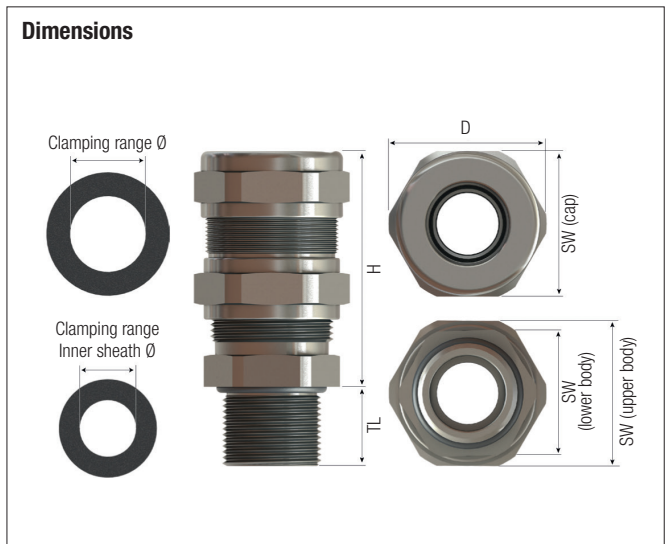
Material	Body, Cap/Inner Part: Brass nickel plated, stainless steel, Seal/O-ring: CR (Chloroprene), Silicone
Protection class	IP 68 - 5 bar, 30 min, IP 66
Operating temperature	Seal Material CR (Chloroprene): Standard -40 °C to +100 °C T Type -40 °C to + 80 °C Seal Material Silicone: Standard -60 °C to +130 °C T Type -60 °C to + 80 °C
Equipment for	Gas & Dust potentially explosive atmospheres
Thread type	Metric (M) ISO Pitch 1.5 / 2.0 for T-Type NPT (N) ANSI ASME B1.20.1 Other thread types available upon request.
Cable type	SWA - SWB - STA - PWA - AWA - Shielded
Accessories	Lock nuts, gaskets (washers), serrated washers, shrouds, earth tags

Note:
O-ring available in metric outer threads. Accessories must be ordered separately.

Our standard cable gland is nickel-plated brass with silicone seal material. The stainless steel version with silicone and chloroprene seal material is also available on request.

Dimensions and order numbers can be found in the table on the following page.

Dimensions





Ordering information

Thread type METRIC according to ISO 965 - 3

Outer thread size (male)	Clamping range		Armour wire Ø min.-max. mm	Shield wire Ø min.-max. mm	Outer thread length TL mm	Spanner width			Outer Ø		Max. height H mm	Order no.
	Inner sheath Ø min.-max. mm	Ø min.-max. mm				Cap SW mm	Upper body SW mm	Lower body SW mm	D mm	H mm		
M12 x 1.5	3.0 - 7.5	6.0 - 12.0	0.70 - 1.20	0.2 - 0.5	15.0	26	26	22	29.0	50.5	07-9430-32M00001	
M16 x 1.5	3.0 - 8.5	6.0 - 12.0	0.70 - 1.20	0.2 - 0.5	16.0	26	26	22	29.0	49.5	07-9430-32M100R1	
	6.0 - 12.0	8.5 - 16.0	0.70 - 1.25	0.2 - 0.5	16.0	29	29	25	31.5	52.0	07-9430-32M10001	
M20 x 1.5	3.0 - 8.5	6.0 - 12.0	0.70 - 1.20	0.2 - 0.5	16.0	26	26	24	29.0	50.0	07-9430-32M200R1	
	6.0 - 12.0	8.5 - 16.0	0.70 - 1.25	0.2 - 0.5	16.0	29	29	25	31.5	51.5	07-9430-32M20001	
	8.5 - 14.5	12.0 - 20.0	0.90 - 1.30	0.2 - 0.5	16.0	32	30	28	35.0	54.0	07-9430-32M200L1	
M25 x 1.5	3.0 - 8.5	6.0 - 12.0	0.70 - 1.20	0.2 - 0.5	18.0	26	26	29	31.5	50.0	07-9430-32M300G1	
	6.0 - 12.0	8.5 - 16.0	0.70 - 1.25	0.2 - 0.5	18.0	29	29	29	31.5	52.5	07-9430-32M300R1	
	8.5 - 16.0	12.0 - 21.0	0.70 - 1.20	0.5 - 0.7	18.0	34	34	32	37.0	56.5	07-9430-32M30001	
	12.0 - 20.0	16.0 - 26.0	1.30 - 1.70	0.2 - 0.5	18.0	40	40	36	44.0	63.0	07-9430-32M300L1	
M32 x 1.5	6.0 - 12.0	8.5 - 16.0	0.70 - 1.25	0.2 - 0.5	18.0	29	29	36	39.8	52.5	07-9430-32M400G1	
	12.0 - 20.0	16.0 - 26.0	1.30 - 1.70	0.2 - 0.5	18.0	40	40	40	44.0	64.0	07-9430-32M400R1	
	15.0 - 26.0	20.0 - 33.0	1.20 - 1.80	0.2 - 0.8	18.0	52	52	48	57.0	81.0	07-9430-32M40001	
M40 x 1.5	12.0 - 20.0	16.0 - 26.0	1.30 - 1.70	0.2 - 0.5	18.0	40	40	45	50.0	64.0	07-9430-32M500G1	
	15.0 - 26.0	20.0 - 33.0	1.20 - 1.80	0.2 - 0.8	18.0	52	52	48	57.0	81.0	07-9430-32M500R1	
	20.0 - 32.0	29.0 - 41.0	1.60 - 2.20	0.2 - 0.8	18.0	60	60	55	66.0	92.0	07-9430-32M50001	
M50 x 1.5	15.0 - 26.0	20.0 - 33.0	1.20 - 1.80	0.2 - 0.8	18.0	52	52	54	60.0	81.0	07-9430-32M600G1	
	20.0 - 32.0	29.0 - 41.0	1.60 - 2.20	0.2 - 0.8	18.0	60	60	55	66.0	92.0	07-9430-32M600M1	
	22.0 - 35.0	33.0 - 48.0	2.00 - 2.80	0.2 - 1.0	18.0	75	70	60	83.0	100.0	07-9430-32M600R1	
	27.0 - 41.0	36.0 - 52.0	1.80 - 2.80	0.3 - 1.4	18.0	74	70	70	81.8	104.5	07-9430-32M60001	
M63 x 1.5	22.0 - 35.0	33.0 - 48.0	2.00 - 2.80	0.2 - 1.0	20.0	75	70	68	83.0	100.0	07-9430-32M700G1	
	27.0 - 41.0	36.0 - 52.0	1.80 - 2.80	0.3 - 1.4	20.0	74	70	70	81.8	104.5	07-9430-32M700M1	
	35.0 - 45.0	43.0 - 57.0	1.80 - 2.80	0.3 - 1.0	20.0	80	80	75	89.5	109.5	07-9430-32M700R1	
	40.0 - 52.0	47.0 - 60.0	1.80 - 2.80	0.6 - 1.5	20.0	85	85	85	94.0	111.5	07-9430-32M70001	
M75 x 1.5	35.0 - 45.0	43.0 - 57.0	1.80 - 2.80	0.3 - 1.0	20.0	80	80	85	94.0	109.5	07-9430-32M800G1	
	40.0 - 52.0	47.0 - 60.0	1.80 - 2.80	0.6 - 1.5	20.0	85	85	85	94.0	111.5	07-9430-32M800R1	
	45.0 - 60.0	54.0 - 70.0	1.00 - 2.30	0.2 - 1.2	20.0	100	95	90	110.5	127.5	07-9430-32M80001	
M90 x 1.5	40.0 - 52.0	47.0 - 60.0	1.80 - 2.80	0.6 - 1.5	20.0	85	85	100	110.5	111.5	07-9430-32M900G1	
	45.0 - 60.0	54.0 - 70.0	1.00 - 2.30	0.2 - 1.2	20.0	100	95	95	110.5	127.5	07-9430-32M900R1	
	60.0 - 72.0	63.0 - 80.0	1.00 - 3.50	0.2 - 1.9	20.0	115	115	110	127.0	158.0	07-9430-32M90001	
M110 x 1.5	45.0 - 60.0	54.0 - 70.0	1.00 - 2.30	0.2 - 1.2	20.0	100	95	120	128.0	127.5	07-9430-32MB00R1	
	60.0 - 72.0	63.0 - 80.0	1.00 - 3.50	0.2 - 1.9	20.0	115	115	120	128.0	158.0	07-9430-32MB0001	

Ordering information

Thread type METRIC according to ISO 965 - 3 (T type)

Outer thread size (male)	Clamping range		Armour wire Ø min.-max. mm	Shield wire Ø min.-max. mm	Outer thread length TL mm	Spanner width			Outer Ø		Order no.
	Inner sheath Ø min.-max. mm	Ø min.-max. mm				Cap SW mm	Upper body SW mm	Lower body SW mm	D mm	H mm	
M90 x 2.0	70.0 - 82.0	78.0 - 90.0	1.5 - 4.4	0.2 - 2.4	20.0	120	120	120	134.0	159.5	07-9430-32M900LT
M100 x 2.0	80.0 - 92.0	88.0 - 100.0	1.2 - 4.0	0.2 - 2.2	20.0	135	135	135	150.0	169.0	07-9430-32MA000T
M110 x 2.0	90.0 - 101.0	98.0 - 110.0	2.1 - 5.4	0.2 - 3.1	20.0	145	145	145	162.0	180.0	07-9430-32MB000T
M130 x 2.0	100.0 - 115.0	109.0 - 123.0	2.0 - 5.4	0.2 - 3.0	24.0	160	160	160	176.0	202.0	07-9430-32MD000T



Ordering information

Thread type NPT according to ANSI ASME B1.20.1

Outer thread size (male)	Clamping range		Armour wire	Shield wire	Outer thread length	Spanner width			Outer Ø	Max. height	Order no.
	Inner sheath Ø min.-max. mm	Ø min.-max. mm	Ø min.-max. mm	Ø min.-max. mm	TL mm	Cap SW mm	Upper body SW mm	Lower body SW mm	D mm	H mm	
NPT 1/4"	3.0 - 8.0	6.0 - 12.0	0.70 - 1.20	0.2 - 0.5	15.0	26	26	22	29.0	50.0	07-9430-32N00001
NPT 3/8"	3.0 - 8.5	6.0 - 12.0	0.70 - 1.20	0.2 - 0.5	16.0	26	26	22	29.0	49.5	07-9430-32N100R1
	6.0 - 12.0	8.5 - 16.0	0.70 - 1.25	0.2 - 0.5	16.0	29	29	25	31.5	52.0	07-9430-32N10001
NPT 1/2"	3.0 - 8.5	6.0 - 12.0	0.70 - 1.20	0.2 - 0.5	16.0	26	26	24	29.0	49.5	07-9430-32N200R1
	6.0 - 12.0	8.5 - 16.0	0.70 - 1.25	0.2 - 0.5	16.0	29	29	25	31.5	51.0	07-9430-32N20001
	8.5 - 14.5	12.0 - 20.0	0.90 - 1.30	0.2 - 0.5	16.0	32	30	28	35.0	54.0	07-9430-32N200L1
NPT 3/4"	3.0 - 8.5	6.0 - 12.0	0.70 - 1.20	0.2 - 0.5	16.0	26	26	29	31.5	50.0	07-9430-32N300G1
	6.0 - 12.0	8.5 - 16.0	0.70 - 1.25	0.2 - 0.5	18.0	29	29	29	31.5	52.5	07-9430-32N300R1
	8.5 - 16.0	12.0 - 21.0	0.70 - 1.20	0.5 - 0.7	16.0	34	34	32	37.0	56.5	07-9430-32N30001
	12.0 - 20.0	16.0 - 26.0	1.30 - 1.70	0.2 - 0.5	16.0	40	40	36	44.0	62.5	07-9430-32N300L1
NPT 1"	6.0 - 12.0	8.5 - 16.0	0.70 - 1.25	0.2 - 0.5	21.0	29	29	36	39.8	52.5	07-9430-32N400G1
	12.0 - 20.0	16.0 - 26.0	1.30 - 1.70	0.2 - 0.5	21.0	40	40	40	44.0	64.0	07-9430-32N400R1
	15.0 - 26.0	20.0 - 33.0	1.20 - 1.80	0.2 - 0.8	21.0	52	52	48	57.0	80.5	07-9430-32N40001
NPT 1 1/4"	12.0 - 20.0	16.0 - 26.0	1.30 - 1.70	0.2 - 0.5	21.0	40	40	45	50.0	64.0	07-9430-32N500G1
	15.0 - 26.0	20.0 - 33.0	1.20 - 1.80	0.2 - 0.8	21.0	52	52	48	57.0	81.0	07-9430-32N500R1
	20.0 - 32.0	29.0 - 41.0	1.60 - 2.20	0.2 - 0.8	18.0	60	60	55	66.0	92.0	07-9430-32N50001
NPT 1 1/2"	15.0 - 26.0	20.0 - 33.0	1.20 - 1.80	0.2 - 0.8	21.0	52	52	54	60.0	81.0	07-9430-32N600G1
	20.0 - 32.0	29.0 - 41.0	1.60 - 2.20	0.2 - 0.8	21.0	60	60	55	66.0	92.0	07-9430-32N600M1
	22.0 - 35.0	33.0 - 48.0	2.00 - 2.80	0.2 - 1.0	21.0	75	70	60	83.0	100.0	07-9430-32N600R1
	27.0 - 41.0	36.0 - 52.0	1.80 - 2.80	0.3 - 1.4	21.0	74	70	70	81.8	104.5	07-9430-32N60001
NPT 2"	22.0 - 35.0	33.0 - 48.0	2.00 - 2.80	0.2 - 1.0	21.0	75	70	68	83.0	100.0	07-9430-32N700G1
	27.0 - 41.0	36.0 - 52.0	1.80 - 2.80	0.3 - 1.4	21.0	74	70	70	81.8	104.5	07-9430-32N700M1
	35.0 - 45.0	43.0 - 57.0	1.80 - 2.80	0.3 - 1.0	20.0	80	80	75	89.5	109.5	07-9430-32N700R1
	40.0 - 52.0	47.0 - 60.0	1.80 - 2.80	0.6 - 1.5	21.0	85	85	85	94.0	111.5	07-9430-32N70001
NPT 2 1/2"	35.0 - 45.0	43.0 - 57.0	1.80 - 2.80	0.3 - 1.0	21.0	80	80	80	89.5	109.0	07-9430-32N800G1
	40.0 - 52.0	47.0 - 60.0	1.80 - 2.80	0.6 - 1.5	21.0	85	85	85	94.0	111.5	07-9430-32N800R1
	45.0 - 60.0	54.0 - 70.0	1.00 - 2.30	0.2 - 1.2	20.0	100	95	90	110.5	127.5	07-9430-32N80001
NPT 3"	40.0 - 52.0	47.0 - 60.0	1.80 - 2.80	0.6 - 1.5	21.0	85	85	95	105.0	111.5	07-9430-32N900G1
	45.0 - 60.0	54.0 - 70.0	1.00 - 2.30	0.2 - 1.2	21.0	100	95	95	110.5	127.5	07-9430-32N900R1
	60.0 - 72.0	63.0 - 80.0	1.00 - 3.50	0.2 - 1.9	21.0	115	115	110	127.0	158.0	07-9430-32N90001
NPT 3 1/2"	45.0 - 60.0	54.0 - 70.0	1.00 - 2.30	0.2 - 1.2	21.0	100	95	110	123.0	127.5	07-9430-32NA00R1
	60.0 - 72.0	63.0 - 80.0	1.00 - 3.50	0.2 - 1.9	21.0	115	115	110	127.0	158.0	07-9430-32NA0001

Ordering information

Thread type NPT according to ANSI ASME B1.20.1 (T type)

Outer thread size (male)	Clamping range		Armour wire	Shield wire	Outer thread length	Spanner width			Outer Ø	Max. height	Order no.
	Inner sheath Ø min.-max. mm	Ø min.-max. mm	Ø min.-max. mm	Ø min.-max. mm	TL mm	Cap SW mm	Upper body SW mm	Lower body SW mm	D mm	H mm	
NPT 3 1/2"	70.0 - 82.0	78.0 - 90.0	1.5 - 4.4	0.2 - 2.4	45.0	120	120	120	134.0	159.5	07-9430-32NA00LT
NPT 4"	80.0 - 92.0	88.0 - 100.0	1.2 - 4.0	0.2 - 2.2	46.0	135	135	135	150.0	169.0	07-9430-32NB00RT
	90.0 - 101.0	98.0 - 110.0	2.1 - 5.4	0.2 - 3.1	46.0	145	145	145	162.0	180.0	07-9430-32NB000T
NPT 5"	100.0 - 115.0	109.0 - 123.0	2.0 - 5.4	0.2 - 3.0	48.0	160	160	160	176.0	202.0	07-9430-32NC000T