



- Non-armoured cable glands for mining application
- Single compression: on the cable (inner sealing)
- Easy assembly

The Cable Gland Type 07-9430-51 are suitable for inserting circular cables into Ex db enclosures with threaded entries and Ex eb or Ex tb enclosures having either threaded or plane entries. They are suitable for use in Group I, Mining Group I Mb. The glands are fastened to the enclosure via the external thread section on the gland outer body. An elastomeric inner sealing ring is used in each gland type to facilitate sealing between the cable and the gland body and to clamp the cable so that no tensile or torsional forces are transmitted to the conductor connections. IP66/68 protection (50 m for 30 minutes) is maintained when the glands are installed according to the operating instructions.

Explosion protection

Marking ATEX	Ⓔ I M2 Ex db I Mb Ex db eb I Mb
Certification	CESI 18 ATEX 039 X
Marking IECEx	Ex db I Mb Ex db eb I Mb
Certification	IECEx CES 18.0041X
Suitable for use in	Group I, Mining Group I Mb
Equipment Marking	Ex I M2 Ex db I Mb Ex eb I Mb
Other approvals and certificates, see www.bartec.de	

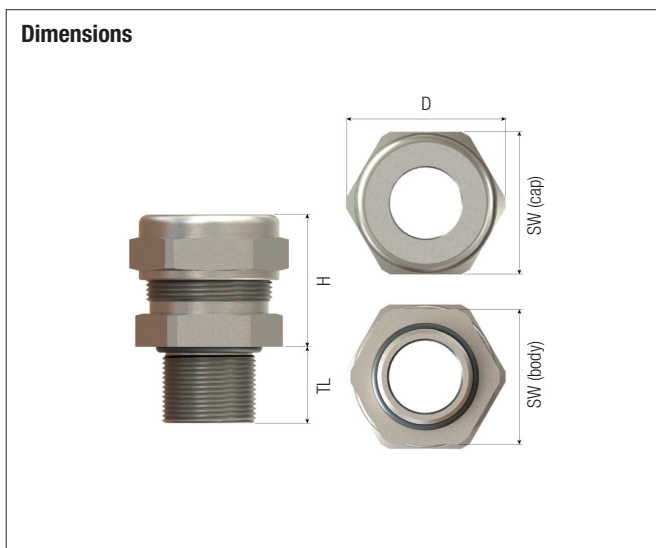
Technical data

Material	Body, Cap/Inner Part: Brass nickel plated, stainless steel, Seal/O-ring: CR (Chloroprene), Silicone
Protection class	IP 68 - 5 bar, 30 min, IP 66
Operating temperature	Seal Material CR (Chloroprene): Standard -40 °C to +80 °C Seal Material Silicone: Standard -60 °C to +80 °C
Equipment for	Mining potentially explosive atmospheres
Thread type	Metric (M) ISO Pitch 1.5 NPT (N) ANSI ASME B1.20.1 Other thread types available upon request.
Cable type	Non-armoured
Accessories	Lock nuts, gaskets (washers), serrated washers, shrouds, earth tags

Note:
O-ring available in metric outer threads. Accessories must be ordered separately.

Our standard cable gland is nickel-plated brass with silicone seal material. The stainless steel version with silicone and chloroprene seal material is also available on request.

Dimensions and order numbers can be found in the table on the following page.



Ordering information

Thread type METRIC according to ISO 965 - 3

Outer thread size (male)	Clamping range	Outer thread length	Spanner width		Outer Ø	Max. height	Order no.
	Ø min.-max. mm	TL mm	Cap SW mm	Body SW mm	D mm	H mm	
M16 x 1,5	3,0 - 8,5	16,0	26	22	29,0	27,0	07-9430-51M100R1
	6,0 - 9,0	16,0	29	27	31,5	31,5	07-9430-51M10001
	9,0 - 12,0	16,0	29	27	31,5	31,5	07-9430-51M100L1
M20 x 1,5	6,0 - 9,0	16,0	29	27	31,5	31,5	07-9430-51M200R1
	9,0 - 12,0	16,0	29	27	31,5	31,5	07-9430-51M20001
	8,5 - 11,5	16,0	30	28	33,5	34,0	07-9430-51M200M1
	11,5 - 14,5	16,0	30	28	33,5	34,0	07-9430-51M200L1
M25 x 1,5	6,0 - 9,0	18,0	29	29	31,5	31,0	07-9430-51M300G1
	9,0 - 12,0	18,0	29	29	31,5	31,0	07-9430-51M300R1
	8,5 - 12,5	18,0	34	32	37,0	35,5	07-9430-51M30001
	12,5 - 16,0	18,0	34	32	37,0	35,5	07-9430-51M300M1
	16,0 - 20,0	18,0	40	36	44,5	35,5	07-9430-51M300L1
M32 x 1,5	12,0 - 16,0	18,0	40	40	44,5	36,5	07-9430-51M400R1
	16,0 - 20,0	18,0	40	40	44,5	36,5	07-9430-51M40001
	15,0 - 20,0	18,0	52	48	57,0	43,0	07-9430-51M400M1
	20,0 - 26,0	18,0	52	48	57,0	43,0	07-9430-51M400L1
M40 x 1,5	15,0 - 20,0	18,0	52	48	57,0	43,0	07-9430-51M500R1
	20,0 - 26,0	18,0	52	48	57,0	43,0	07-9430-51M50001
	20,0 - 26,0	18,0	60	55	66,0	52,0	07-9430-51M500M1
	26,0 - 32,0	18,0	60	55	66,0	52,0	07-9430-51M500L1
M50 x 1,5	22,0 - 28,0	18,0	70	60	77,0	52,0	07-9430-51M600R1
	28,0 - 35,0	18,0	70	60	77,0	52,0	07-9430-51M60001
	27,0 - 34,0	18,0	70	70	77,0	56,0	07-9430-51M600M1
	34,0 - 41,0	18,0	70	70	77,0	56,0	07-9430-51M600L1
M63 x 1,5	35,0 - 40,0	20,0	80	75	89,5	63,5	07-9430-51M700R1
	40,0 - 45,0	20,0	80	75	89,5	63,5	07-9430-51M70001
	40,0 - 46,0	20,0	85	85	94,0	64,0	07-9430-51M700M1
	46,0 - 52,0	20,0	85	85	94,0	64,0	07-9430-51M700L1
M75 x 1,5	40,0 - 46,0	20,0	85	85	94,0	64,0	07-9430-51M800R1
	46,0 - 52,0	20,0	85	85	94,0	64,0	07-9430-51M80001
	45,0 - 52,0	20,0	95	90	105,0	79,0	07-9430-51M800M1
	52,0 - 60,0	20,0	95	90	105,0	79,0	07-9430-51M800L1
M90 x 1,5	45,0 - 52,0	20,0	95	95	105,0	79,0	07-9430-51M900R1
	52,0 - 60,0	20,0	95	95	105,0	79,0	07-9430-51M90001
	60,0 - 66,0	20,0	115	110	127,0	86,0	07-9430-51M900M1
	66,0 - 72,0	20,0	115	110	127,0	86,0	07-9430-51M900L1

Ordering information

Thread type NPT according to ANSI ASME B1.20.1

Outer thread size (male)	Clamping range	Outer thread length	Spanner width		Outer Ø	Max. height	Order no.
	Ø min.-max. mm	TL mm	Cap SW mm	Body SW mm	D mm	H mm	
NPT 3/8"	3,0 - 8,5	16,0	26	22	29,0	27,0	07-9430-51N100R1
	6,0 - 9,0	16,0	29	27	31,5	31,5	07-9430-51N10001
	9,0 - 12,0	16,0	29	27	31,5	31,5	07-9430-51N100L1
NPT 1/2"	6,0 - 9,0	21,0	29	27	31,5	31,5	07-9430-51N200R1
	9,0 - 12,0	21,0	29	27	31,5	31,5	07-9430-51N20001
	8,5 - 11,5	21,0	30	28	33,5	34,0	07-9430-51N200M1
	11,5 - 14,5	21,0	30	28	33,5	34,0	07-9430-51N200L1
NPT 3/4"	6,0 - 9,0	21,0	29	29	31,5	31,0	07-9430-51N300G1
	9,0 - 12,0	21,0	29	29	31,5	31,0	07-9430-51N300R1
	8,5 - 12,5	21,0	34	32	37,0	35,5	07-9430-51N30001
	12,5 - 16,0	21,0	34	32	37,0	35,5	07-9430-51N300M1
	16,0 - 20,0	21,0	40	36	44,5	35,0	07-9430-51N300L1
NPT 1"	12,0 - 16,0	26,0	40	40	44,5	36,5	07-9430-51N400R1
	16,0 - 20,0	26,0	40	40	44,5	36,5	07-9430-51N40001
	15,0 - 20,0	26,0	52	48	57,0	42,5	07-9430-51N400M1
	20,0 - 26,0	26,0	52	48	57,0	42,5	07-9430-51N400L1
NPT 1 1/4"	15,0 - 20,0	28,0	52	48	57,0	44,5	07-9430-51N500R1
	20,0 - 26,0	28,0	52	48	57,0	44,5	07-9430-51N50001
	20,0 - 26,0	28,0	60	55	66,0	52,0	07-9430-51N500M1
	26,0 - 32,0	28,0	60	55	66,0	52,0	07-9430-51N500L1
NPT 1 1/2"	22,0 - 28,0	28,0	70	60	77,0	52,0	07-9430-51N600R1
	28,0 - 35,0	28,0	70	60	77,0	52,0	07-9430-51N60001
	27,0 - 34,0	28,0	70	70	77,0	56,0	07-9430-51N600M1
	34,0 - 41,0	28,0	70	70	77,0	56,0	07-9430-51N600L1
NPT 2"	35,0 - 40,0	28,0	80	75	89,5	63,0	07-9430-51N700R1
	40,0 - 45,0	28,0	80	75	89,5	63,0	07-9430-51N70001
	40,0 - 46,0	28,0	85	85	94,0	64,0	07-9430-51N700M1
	46,0 - 52,0	28,0	85	85	94,0	64,0	07-9430-51N700L1
NPT 2 1/2"	40,0 - 46,0	41,0	85	85	94,0	64,0	07-9430-51N800R1
	46,0 - 52,0	41,0	85	85	94,0	64,0	07-9430-51N80001
	45,0 - 52,0	41,0	95	90	105,0	79,0	07-9430-51N800M1
	52,0 - 60,0	41,0	95	90	105,0	79,0	07-9430-51N800L1
NPT 3"	45,0 - 52,0	43,0	95	95	105,0	79,0	07-9430-51N900R1
	52,0 - 60,0	43,0	95	95	105,0	79,0	07-9430-51N90001
	60,0 - 66,0	43,0	115	110	127,0	86,0	07-9430-51N900M1
	66,0 - 72,0	43,0	115	110	127,0	86,0	07-9430-51N900L1