



Aluminium



Stainless steel

Flameproof enclosures BARTEC C or GUB series are designed to be installed in industrial plants, where potential hazardous atmospheres occur. These areas are either classified as zone 1 and 2 or as zone 21 and 22. These enclosures are designed to contain regular industrial electrical components or equipment on the mounting plate like fuses, transformers, circuit breakers, relays, PLC etc. and to be fully integrated in the hazardous area as control- or distribution panel.

Depending on the installed components; observe the specifications on the type label.

According to EN-IEC 60079-0,-1

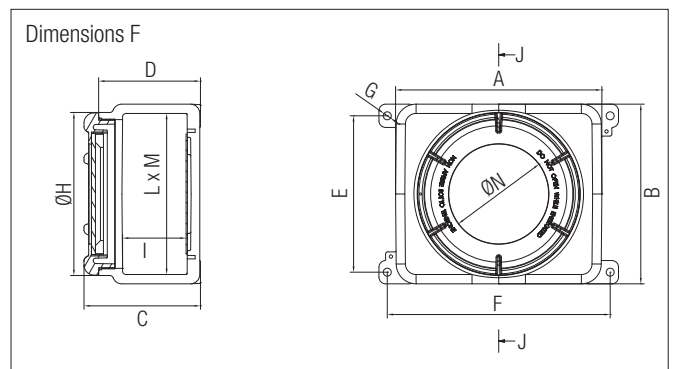
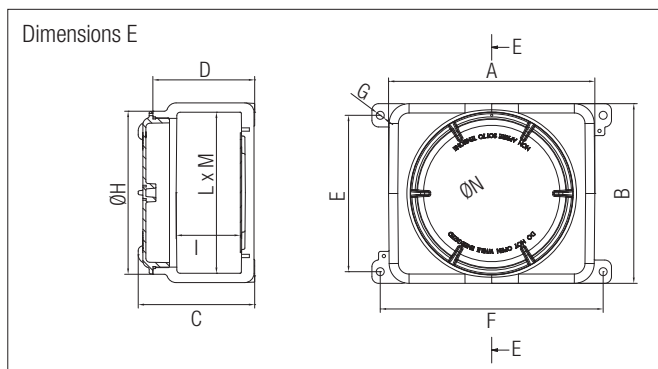
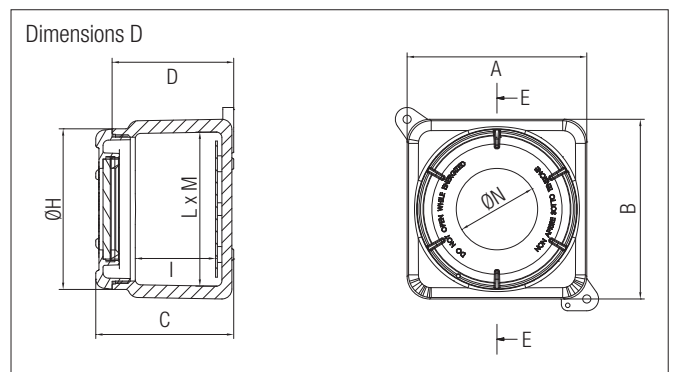
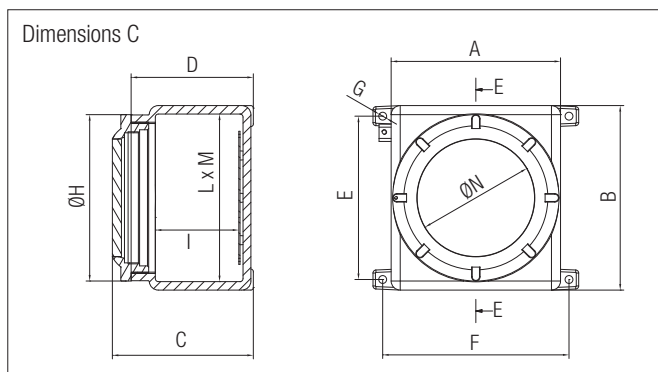
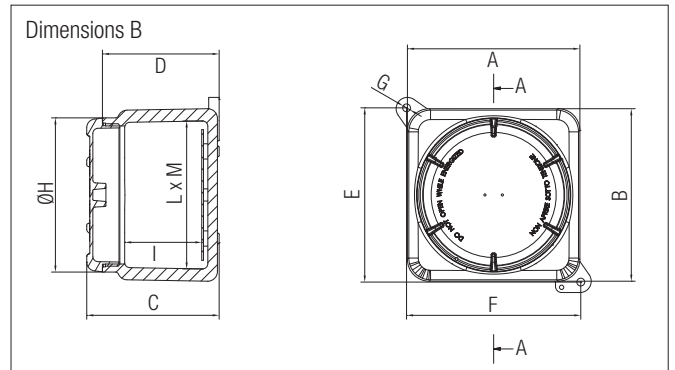
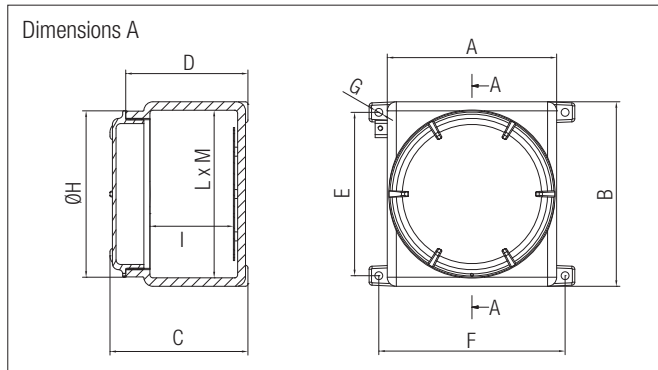
Explosion protection

Marking ATEX	Ⓜ II 2G Ex d IIC T6 to T3 Gb Ⓜ II 2D Ex tb IIIC T85°C to T200°C Db
Certification	DEKRA 13 ATEX 0209
Marking IECEx	Ex II 2G Ex d IIC T6..T3 Gb Ex II 2D Ex tb IIIC T85°C..T200°C Db
Certification	IECEx DEK 13.0075
Other approvals and certificates, see www.bartec.de	
Ambient temperature	Depending on the installed parts; observe specifications on the type label. -20 °C to +40 °C standard -40 °C to +55 °C optional -55 °C to +80 °C maximum for some applications
Approved for zones	1, 2 and 21, 22

Technical data

Protection class (acc. to IEC 60529)	max. IP 66
Enclosure material	Copper free aluminium alloy (< 0,1% copper) Stainless steel 316
Surface treatment	External powder type painted RAL9006 (cast aluminium version) unpainted (stainless steel version) Internal anti-condense painting RAL 2004 (optional)
Earthing an bonding	Internal and external earth bolt (M6)
Hardware	Stainless steel SS304 for aluminium and SS316 for stainless steel enclosures
Mountingplate	Aluminium enclosure: Galvanized Steel Stainless steel enclosure: Stainless Steel
Mounting brackets	Casted / welded
Windows	Windows available in screw cover

Overall dimensions and weights Aluminium GUB



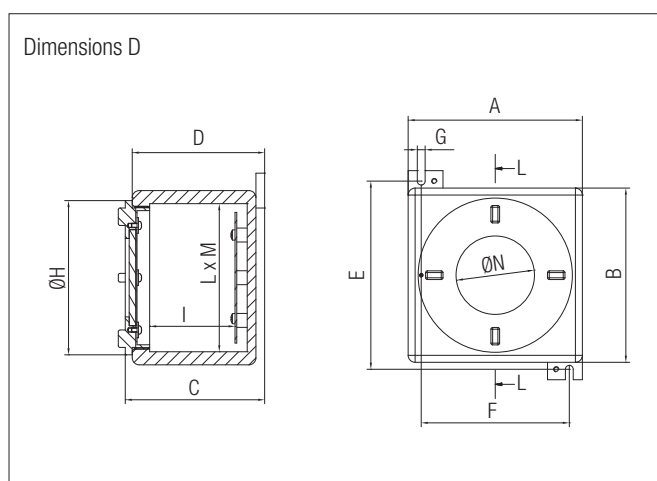
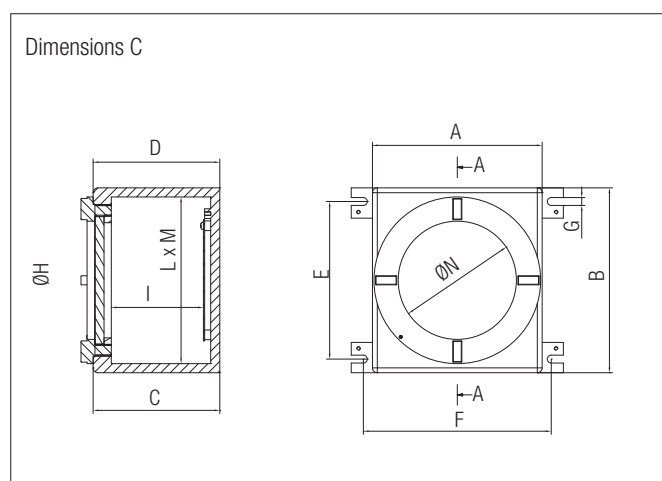
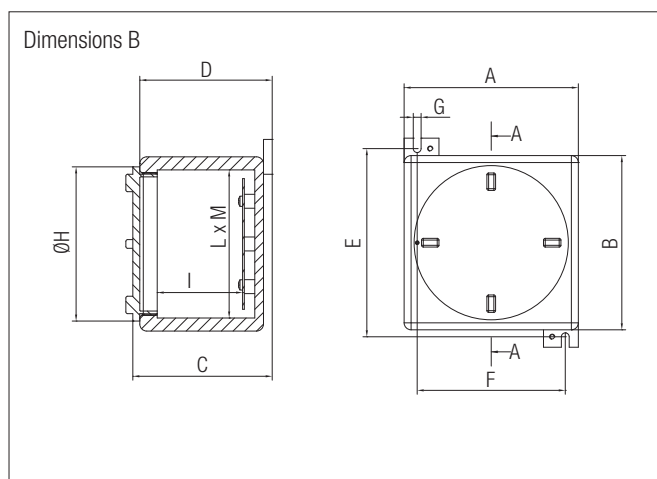
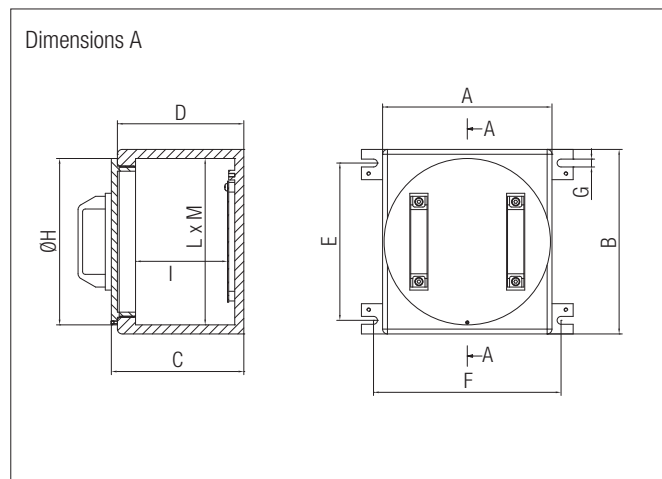
2

Selection chart

Name	Dimensions (mm)										kg	lay-out	Window mountingplate	
	A	B	C	E	F	I	L	M	Ø H	Ø glass (mm)				
GUB00A0A0	135	135	111	110	150	50	110	110	113	2	C	80 x 80 x 2		
GUB0A0A0	168	168	145	172	172	97	137	137	154	4	C	110 x 110 x 2		
GUB1A0A0	198	198	152	200	200	88	170	170	176	5	C	150 x 150 x 2		
GUB03A0A0	280	305	228	270	308	133	248	270	275	13.5	A	200 x 220 x 2		
GUB23A0A0	270	310	174	315	275	100	243	283	244	9.8	E	180 x 180 x 2		
GUB4A0A0	420	420	281	380	460	147	384	384	410	31.7	A	280 x 280 x 2		
GUB5A0A0	600	600	382	545	460	208	550	550	580	105.6	A	490 x 490 x 3		
GUBW1A0A0	198	198	152	200	200	88	170	170	176	5.1	D	90	150 x 150 x 2	
GUBW030A0	280	305	228	270	308	133	248	270	275	14.2	B	195	200 x 220 x 2	
GUBW23A0A0	270	310	174	315	275	100	243	283	244	10.3	F	150	180 x 180 x 2	
GUBW4A0A0	420	420	281	380	460	147	384	384	410	30	B	230	280 x 280 x 3	

Technical data subject to change without notice.

Overall dimensions and weights Stainless steel GUB INX



Selection chart

Name	Dimensions (mm)												kg	lay-out
	A	B	C	D	E	F	Ø G	H	I	L	Ø M	Ø N		
GUE1 INX AISI316	135	135	100	92	152	105	7	113	47	111	111	-	7	B
GUB0 INX AISI316	170	170	141	133	185	145	9	154	82	140	140	-	13	B
GUB1 INX AISI316	200	200	160	152	216	170	9	177	98	170	170	-	19	b
GUB03 INX AISI316	280	310	219	209	260	310	13	275	152	250	280	-	50	A
GUB23 INX AISI316	310	270	165	157	235	350	12	224	110	290	250	-	32	B
GUB4 INX AISI316	420	420	234	226	380	460	13	405	148	390	390	-	83	A
GUB5 INX AISI316	600	600	320	310	550	630	13	600	203	550	550	-	280	A
GUBW1 INX AISI316	200	200	160	152	216	170	9	177	98	170	170	90	19	d
GUBW03 INX AISI316	280	310	219	209	260	310	13	275	152	250	280	195	50	C
GUBW23 INX AISI316	310	270	165	157	235	350	12	224	110	290	250	150	32	D
GUB4 INX AISI316	420	420	234	226	380	460	13	405	148	390	390	230	83	C