

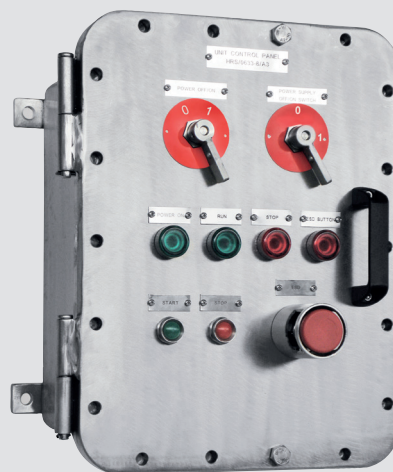
Flameproof enclosures EJB

Ex d IIB+H₂ Aluminium & Stainless steel

Aluminium



Stainless steel



Flameproof enclosures BARTEC B or EJB series are designed to be installed in industrial plants, where potential hazardous atmospheres occur. These areas are either classified as zone 1 and 2 or as zone 21 and 22.

These enclosures are designed to contain regular industrial electrical components or equipment on the mounting plate like fuses, transformers, circuit breakers, relays, PLC etc. and to be fully integrated in the hazardous area as control- or distribution panel.

Depending on the installed components; observe the specifications on the type label.

According to EN-IEC 60079-0,-1

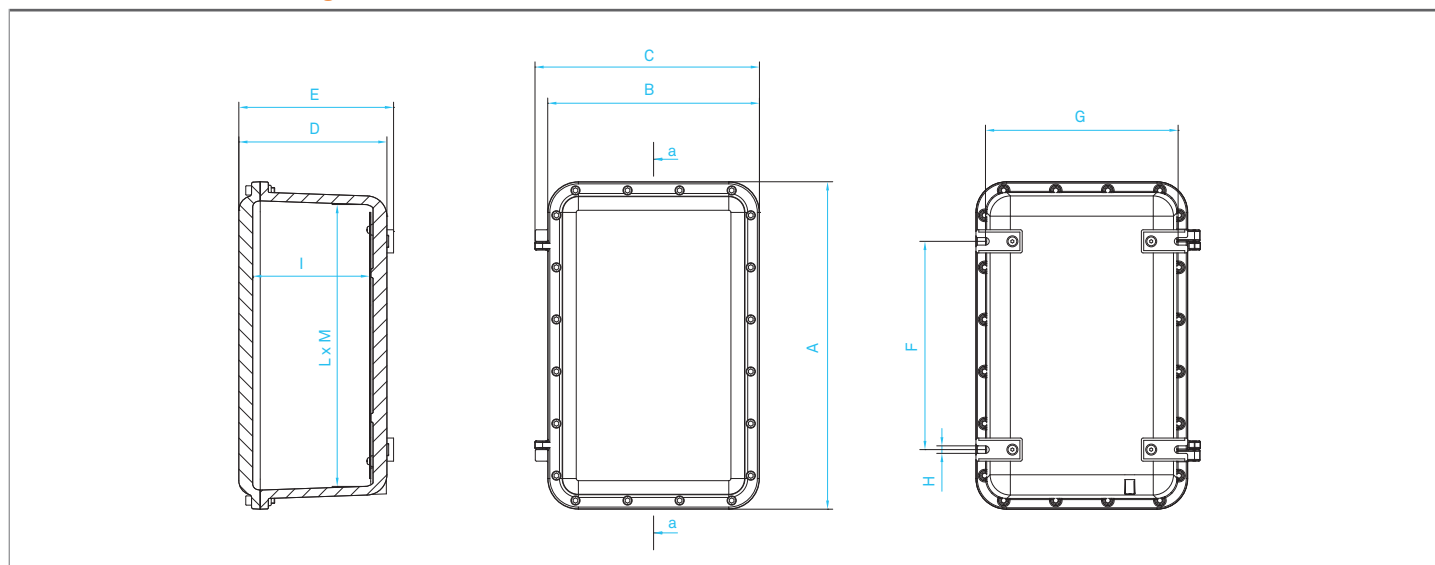
Explosion protection

Marking ATEX	Ⓢ II 2G Ex d IIB+H ₂ T6 to T3 Gb Ⓢ II 2D Ex tb IIIC T80°C to T130°C Db
Certification	DEKRA 13 ATEX 0209
Marking IECEX	Ex II 2G Ex d IIB+H ₂ T6 to T3 Gb Ex II 2D Ex tb IIIC T80°C to T130°C Db
Certification	IECEX DEK 13.0075
Other approvals and certificates, see bartec.com	
Ambient temperature	Depending on the installed parts; observe specifications on the type label. -20 °C to +40 °C; standard -40 °C to +55 °C; optional -55 °C to +80 °C; maximum for some applications
Approved for zones	1, 2 and 21, 22

Technical data

Protection class (acc. to IEC 60529)	max. IP 66
Enclosure material	Copper free aluminium alloy (< 0.1% copper) Stainless steel AISI 316L
Surface treatment	External powder type painted RAL9006 (cast aluminium version) unpainted (stainless steel version) Internal anti-condense painting RAL 2004 (optional)
Earthing and bonding	Internal and external earth bolt (M6)
Enclosure lid	Bolts in stainless steel SS304 for aluminium and SS316 for stainless steel enclosures
Mountingplate	Aluminium enclosure: Galvanized Steel Stainless steel enclosure: Stainless Steel
Mounting brackets	Black epoxy painted aluminium Galvanized steel for EJB 7. / 9.
Hinges	Casted on long side (standard) Aluminium hinges on the short side (optional)
Windows	Windows available in the cover of the enclosure according to below table

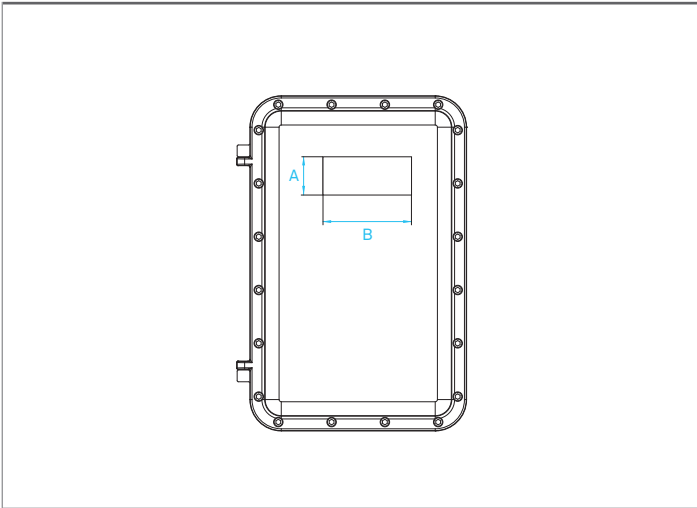
Overall dimensions and weights aluminium EJB



Ordering information

Name	Dimensions (mm)												Mountingplate (mm)
	A	B	C	D	E	F	G	H	I	L	M	kg	
EJB11ACMXA0A0A	175	175	197	122	132	78	171	11	90	113	113	4,0	100 x 100
EJB21ACMXA0A0A	284	245	267	169	179	160	241	11	121	216	176	11,2	180 x 140
EJB22ACMXA0A0A	300	200	221	222	232	195	186	11	174	229	129	11,3	180 x 100
EJB23ACMXA0A0A	310	260	281	197	207	195	251	11	152	245	195	13,3	200 x 160
EJB30ACMXA0A0A	415	315	337	164	174	294	299	11	113	345	245	19,5	325 x 225
EJB31ACMXA0A0A	415	315	337	246	256	294	299	11	195	345	245	24,2	325 x 225
EJB51ACMXA0A0A	566	366	388	256	268	360	337	13	200	487	287	36,1	460 x 260
EJB61ACMXA0A0A	670	470	491	361	373	500	443	13	307	580	380	68,1	560 x 360
EJB63ACMXA0A0A	670	470	491	236	248	500	443	13	182	580	380	50,5	560 x 360
EJB71ACMXA0A0A	742	542	572	429	439	520	580	16	331	632	432	110,4	590 x 390
EJB73ACMXA0A0A	742	542	572	311	321	520	580	16	213	632	432	95,6	590 x 390
EJB91ACMXA0A0A	960	660	697	462	472	700	650	16	350	825	525	188,5	750 x 448
EJB93ACMXA0A0A	960	660	697	305	315	700	650	16	193	825	525	166,5	750 x 448

Window possibilities in cover



Window simbology

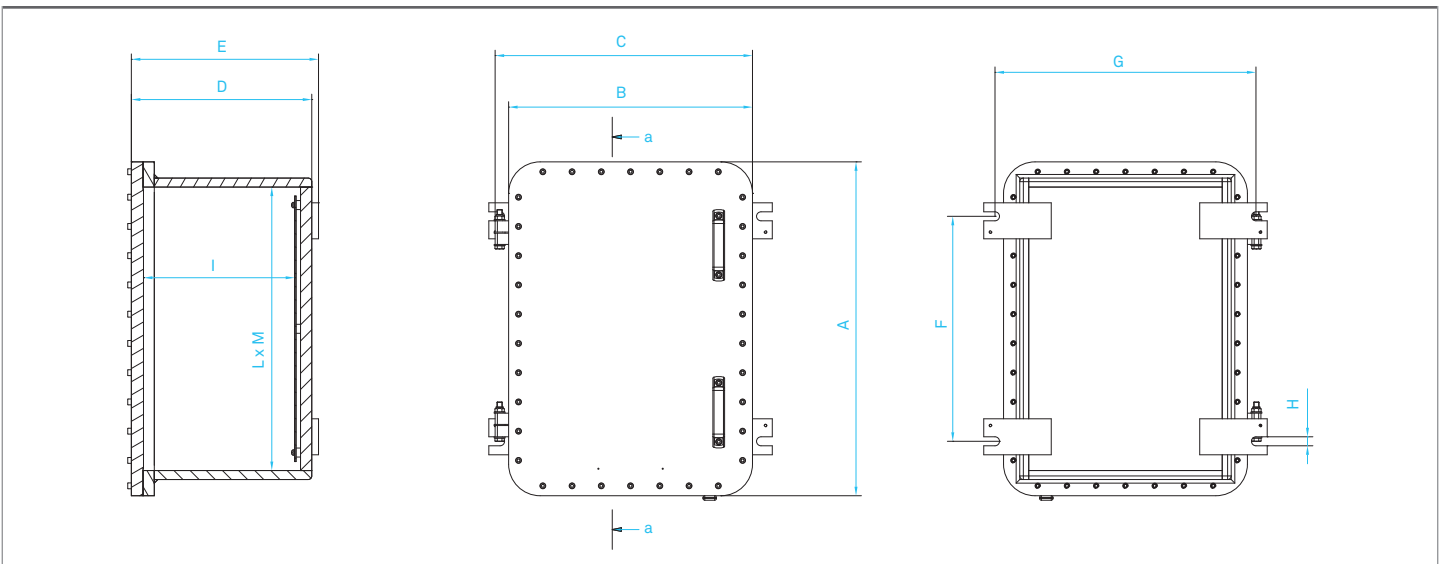
FR1ST up to FR4ST	Reduced window
F1ST up to F9ST	Standard window
F8 and F9	Standard window with fixing frame

It's possible to have other kind of window sizes (not standard) when keeping maximum size as above as restriction.

Selection chart

Dimensions (mm) Window code	EJB11	EJB12	EJB21	EJB22	EJB23	EJB30	EJB31	EJB51	EJB61/63	EJB71/73	EJB91/93	A	B
FR1ST	✓	✓	✓	✓	✓	✓	✓	✓	✓	✓	✓	48	48
FR2ST			✓	✓	✓	✓	✓	✓	✓	✓	✓	48	96
FR3ST			✓	✓	✓	✓	✓	✓	✓	✓		48	150
FR4ST					✓	✓	✓	✓	✓			48	200
F1ST	✓		✓	✓	✓	✓	✓	✓	✓	✓	✓	60	60
F2ST			✓	✓	✓	✓	✓	✓	✓	✓	✓	75	75
F3ST			✓	✓	✓	✓	✓	✓	✓	✓	✓	75	110
F4ST			✓	✓	✓	✓	✓	✓	✓	✓		75	150
F5ST						✓	✓	✓	✓			150	150
F6ST						✓	✓	✓	✓			75	300
F7ST						✓	✓	✓	✓			150	300
F8									✓			300	300
F9									✓			300	450

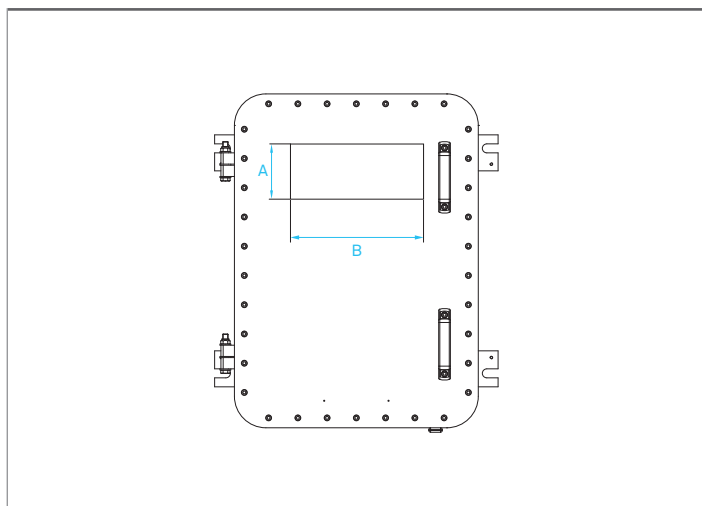
Overall dimensions and weights stainless steel EJBX



Selection chart

Name	Dimensions (mm)												Mountingplate
	A	B	C	D	E	F	G	H	I	L	M	kg	
EJB11X	175	175	197	122	132	78	171	11	90	113	113	11	100 x 100
EJB21X	284	245	267	169	179	160	241	11	121	215	175	32	180 x 140
EJB22X	300	200	221	222	232	195	186	11	174	229	129	38	180 x 100
EJB23X	310	260	290	197	207	195	251	13	152	220	170	40	200 x 160
EJB30X	415	315	337	164	174	294	299	13	113	345	245	53	300 x 200
EJB31X	415	315	337	246	256	294	299	13	195	345	245	62	300 x 200
EJB51X	566	366	388	256	268	360	337	13	200	487	287	110	450 x 250
EJB61X	670	470	491	361	373	500	443	13	307	580	380	152	530 x 330
EJB63X	670	470	491	236	248	500	443	13	182	580	380	140	530 x 330
EJB71X	742	542	572	429	439	520	580	16	331	632	432	280	590 x 390
EJB73X	742	542	572	311	321	520	580	16	213	632	432	200	590 x 390
EJB91X	960	660	697	462	472	700	650	16	350	825	525	618	750 x 440
EJB93X	960	660	697	305	315	700	650	16	193	825	525	573	750 x 440

Window possibilities in cover



Window simbology

FR1ST up to FR4ST	Reduced window
F1ST up to F9ST	Standard window
F8 and F9	Standard window with fixing frame

It's possible to have other kind of window sizes (not standard) when keeping maximum size as above as restriction.

Selection chart

Dimensions (mm) Window code	EJB11X	EJB21X	EJB22X	EJB23X	EJB30X	EJB31X	EJB51X	EJB61X	EJB63X	EJB71/73X	EJB91/93X	A	B
FR1ST	✓	✓	✓	✓	✓	✓	✓	✓	✓	✓	✓	48	48
FR2ST		✓	✓	✓	✓	✓	✓	✓	✓	✓	✓	48	96
FR3ST		✓	✓	✓	✓	✓	✓	✓	✓	✓		48	150
FR4ST		✓	✓	✓	✓	✓	✓	✓	✓		✓	48	200
F1ST	✓	✓	✓	✓	✓	✓	✓	✓	✓	✓	✓	60	60
F2ST		✓	✓	✓	✓	✓	✓	✓	✓	✓		75	75
F3ST		✓	✓	✓	✓	✓	✓	✓	✓	✓		75	110
F4ST		✓	✓	✓	✓	✓	✓	✓	✓			75	150
F5ST					✓	✓	✓	✓	✓			150	150
F6ST					✓	✓	✓	✓	✓			75	300
F7ST					✓	✓	✓	✓	✓			150	300
F8								✓	✓			300	300
F9								✓	✓			300	450