



Connector

63 A plug connection



Wall socket

Description

The plug connections in the 07-833* series are suitable for use in potentially explosive areas of Zones 1 and 2 and of Zones 21 and 22.

The quality materials used for the enclosure, including the external metal parts, guarantee the appropriate corrosion protection and chemical resistance for the application in "normal industrial atmospheres":

- Impact resistant polyamide
- Fibreglass reinforced polyester
- Stainless steel AISI 316 L.

The plug connections are used to supply power to portable local controllers, electrical installations and mobile machines and drives in potentially explosive areas, but can also be used in a "normal industrial area".

The low voltage sockets can be used up to a max. 63 A and for the voltage range set out in EN 60309 (see technical data).

The operating equipment connected to the connector must be suitable for the mains voltage supplied.

Explosion protection

Ex protection type

ATEX Ex II 2G Ex d e IIC T6 Gb
Ex II 2D Ex tb IIIC T80 °C Db

Certification

PTB 00 ATEX 1070

IECEx Ex ed IIC T6

Certification

IECEx BKI 04.0004

Other approvals and test certificates can be found at www.bartec.de

Permitted ambient temperature

-20 °C to +40 °C

Extended temperature range on request



Technical data

Rated voltage

Up to 415 V AC
Further voltage ranges on request

Rated current

63 A

Frequency

Up to 400 Hz

Making / breaking capacity AC-3 in acc. with EN 60947-4

U_g 690 V / I_g 16 A

Max. external back-up fuse

Without thermal protection: 63 A
With thermal protection: 80 A gL
(Rated current set to 63 A)

Protection class

I

Protection class under EN 60529

IP 66

Enclosure colour

Black

Wall socket

Cable glands

1 x M50 \varnothing 22 to 35 mm
1 x M50 plastic EX screw plug

Terminals

2 x 4 to 25 mm²
mit Kabelschuh 1 x 35 mm²

Enclosure material

Fibreglass reinforced polyester

Connector

Cable glands

\varnothing 19 to 34 mm

Terminals

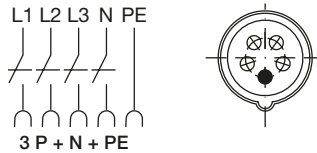
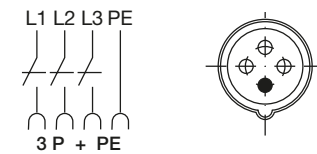
1 x 4 to 16 mm²
Pin cable shoe²⁾ 1 x 25 mm²

Enclosure material

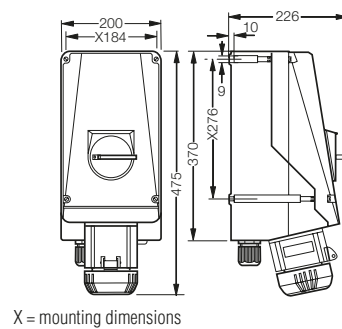
Polyamide

Connection diagrams

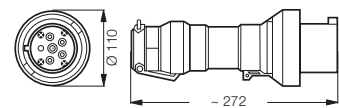
without auxiliary contact



Dimensions 4/5-pole wall socket



Dimensions 4/5-pole connector



Selection table

Voltage	h	Type	Cable gland	Weight approx. kg	Order no.
Type 63 A 4-pole					
380 to 415 V	 6	Wall socket	KU	1.8	07-8334-45461000
		Connector		0.75	07-8331-45100000
Type 63 A 5-pole					
200 to 250 V 380 to 415 V	 6	Wall socket	KU	1.8	07-8334-55461000
		Connector		0.75	07-8331-55100000

Other voltage ranges and designs are available on request.

KU = 1 x M50 plastic cable gland for \varnothing 22 to 35 mm, 1 x M50 plastic Ex screw plug