



ComEx Ex i Lamp module with terminals for rail-mounted installation

Features

- One module for all intrinsically safe application areas
- Long service life
- Excellent luminosity

Description

The ComEx Ex i lamp module indicates command modes by means of a light signal lighting up or going out. It is suitable for use in almost all hazardous (potentially explosive) areas in which a visual indication of a machine's functional status is required.

The lamp modules are designed to conform to the requirements of the "e increased safety", "d flameproof enclosure" and "i intrinsic safety types of protection". They may be activated by intrinsically safe circuits.

The lamp module can be combined with various lamp module actuators. Each lamp module actuator is fitted into a mounting hole in a control console or a control panel. The respective lamp module is intended for fitting onto a mounting rail.

Conductors are connected using terminals with increased safety on the back of the module. The lamp module actuators can be fitted easily without tools, which ensures conformance to the high IP degree of protection.

Explosion protection

Ex protection type

ATEX Ex II 2G Ex de ia IIC Gb
Ex I M2 Ex de ia I Mb

Certification

PTB 97 ATEX 1064 U

IECEX

Ex de ia IIC Gb
Ex de ia I Mb

Certification

IECEX PTB 10.0014U

Other approvals and certificates, see www.bartec-group.com

Ambient temperature

-55 °C to +60 °C

Intrinsically safe parameters	
Input voltage (U _i)	30 V
Input current (I _i)	150 mA
Input power (P _i)	1 W
Inductance (L _i)	negligible
Capacitance (C _i)	negligible



Technical data

Protection class

determined by the actuating element and control unit enclosure, min. IP 66, terminals IP 20

Rated insulation voltage

300 V

Rated operating voltage (U_e)

AC/DC 10 to 30 V

Frequency range

with AC supply 30 to 100 Hz

Power consumption

≤ 0,5 W

Lamp

LED, red, green, yellow, white, blue

Illumination

very bright, over a visible angle of 180°

Enclosure material

thermoplastic

Type of connection

terminals 2.5 mm², fine-stranded

Service life

>10⁵ running hours

Storage and transport temperature

-55 °C to +70 °C

Weight

approx. 90 g

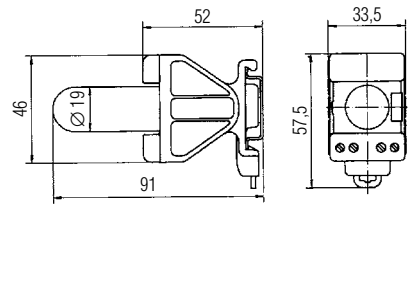
Fastening

onto TS 35 x 7.5 mounting rail

Shock resistance

DIN EN 60068-2-27, 30 g, 18 ms
DIN EN 60068-2-6, 4 g, 1.6 mm

Dimensions



Selection chart

Type of contact	Colour LED	Code no.	Colour actuator	Code no.
	red	1	red	3
	green	2	green	4
	yellow	3	yellow	5
	white	4	white	6
	blue	5	blue	7

Complete order no. *

Lamp module without actuating element **07-3351-14** **0**

Actuating element Standard **05-0003-001** **00**

Increased oil resistance **05-0003-001** **00BN**

Please enter code number. Technical data subject to change without notice.

* Product printing standard: ATEX and IECEx marking. Other markings on request. Please specify in plain text.