



- One module for all intrinsically safe application areas
- Excellent luminosity
- High flexibility due to junction box
- Low installation depth

The ComEx^{flex} Ex i illuminated button is used in almost all hazardous (potentially explosive) areas where machine functions are to be activated at the touch of a button and the corresponding functional status is to be visually displayed. The illuminated buttons are produced in conformance to the requirements for the “e increased safety”, “d flameproof enclosure”, and “i intrinsic safety types of protection”. They may be activated by intrinsically safe circuits. ComEx^{flex} is flexible and in addition to a large number of illuminated button actuators, it offers a junction box to facilitate a safe and convenient installation of the module into a control panel. The module’s contacts are designed as snap-action switching elements. Conductors are connected using terminals with increased safety on the back of the module. The illuminated button actuators can be fitted easily, without the use of tools, which ensures conformance to the high IP degree of protection.

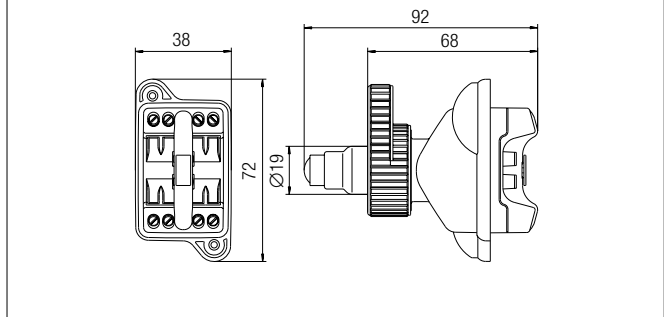
Explosion protection

Marking ATEX	II 2G Ex db eb ia IIC Gb I M2 Ex db eb ia I Mb
Certification	CML 17 ATEX 1106 U
Marking IECEx	Ex db eb ia IIC Gb Ex db eb ia I Mb
Certification	IECEx CML 17.0046U
Other approvals and certificates, see www.bartec.de	
Ambient temperature	-55 °C to +60 °C

Technical data

Protection class	determined by actuating element and control station enclosure, min. IP 66, terminals IP 20 (IEC 60529).
Rated operating voltage (U _e)	AC/DC 10 to 30 V
Frequency range	with AC supply 30 to 100 Hz
Power consumption	≤ 0.5 W
Lamp	LED, red, green, yellow, white, blue
Illumination	very bright, visible angle over 180°
Contacts	1 N/C or 1 N/O as snap switch element DC-13 0.25 A/24 V
Enclosure material	thermoplastic
Type of connection	terminals 2.5 mm ² , fine-stranded
Electrical life	>10 ⁵ running hours
Mechanical life	>10 ⁵ switching cycles
Storage and transport temperature	-55 °C to +70 °C
Weight	approx. 110 g
Mounting	locked, bayonet lock
Shock resistance	DIN EN 60068-2-27, 30 g, 18 ms DIN EN 60068-2-6, 4 g, 1.6 mm

Dimensions



Intrinsically safe parameters

Input voltage (U _i)	30 V
Input current (I _i)	150 mA
Input power (P _i)	1 W
Inductance (L _i)	negligible
Capacitance (C _i)	negligible

Selection chart

Type of contact	Code no.	Colour LED	Code no.	Colour actuator	Code no.
 1 NC	5	red	1	red	5
		green	2	green	6
		yellow	3	yellow	7
 1 NO	6	white	4	white	8
		blue	5	blue	9

Complete order no.

Illuminated button without actuating element	07-3363-4	<input type="checkbox"/>	<input type="checkbox"/>	0
Actuating element Standard	05-0003-006	<input type="checkbox"/>	<input type="checkbox"/>	00
Increased oil resistance	05-0003-006	<input type="checkbox"/>	<input type="checkbox"/>	00BN

Please enter code number.
 Technical data subject to change without notice.