



Standard Motor Control

Features

- Enclosure with Ex d type of protection with Ex e junction box enclosure
- Compact solution
- Short delivery periods
- Zones 1, 2 and 21, 22

Description

The standard motor controls consist of an enclosure in the “flameproof” type of protection and a junction box in the “increased safety” type of protection.

The motor starters are fitted into the enclosure with the “flameproof enclosure” type of protection. Depending on the order, controls are fitted into the junction box with the “increased safety” type of protection.

The motor control units are supplied with a main switch and controls as standard. The standard versions with control transformer conform to EN 60204 requirements.

However, it is also possible to order the motor controls without a control transformer, main switch or controls.

The contactor for switching ohmic consumers and motor starters is equipped with thermal overcurrent tripping. The nominal voltage must be specified separately if it deviates from 400 V. The transformer is adapted accordingly then.

Explosion protection

Ex protection type

ATEX II 2G Ex de IIC T6 Gb
 II 2D Ex tb IIIC T85 °C Db

Certification

KEMA 08 ATEX 0123

IECEx Ex de IIC T6 Gb

Ex tb IIIC T85 °C Db

Certification

IECEx DEK 13.0075

Further approvals:

INMETRO IEE 11.0230X
GOST-K-KZ 4710193.0101.00142

Ambient temperature

-20 °C to +50 °C

Approved for

zone 1, 2 and 21, 22

Technical Data

Enclosure material

copper-free aluminium die casting

Surface

acrylic varnish, similar to RAL 7016

Electrical connection

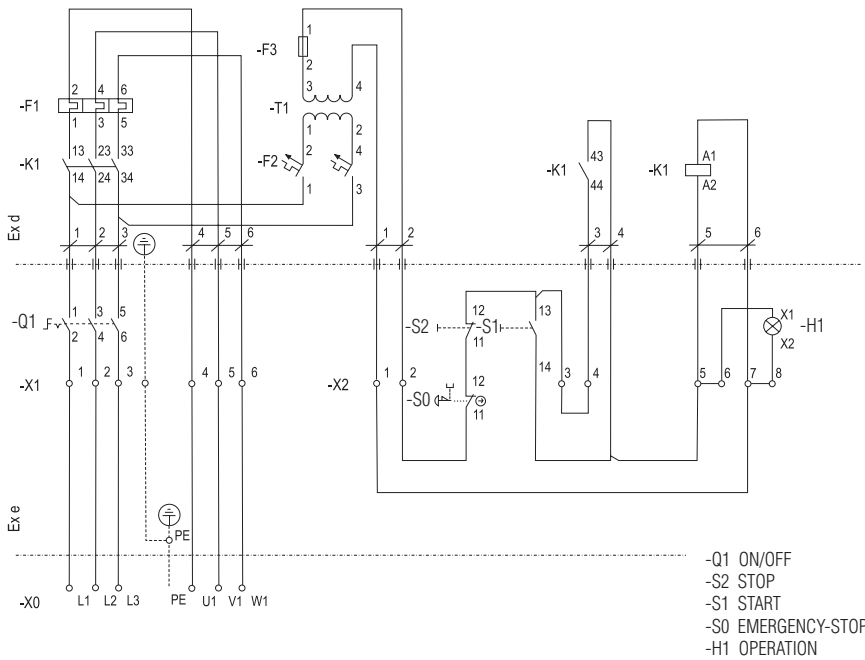
through cable glands into the Ex e junction box

Protection class

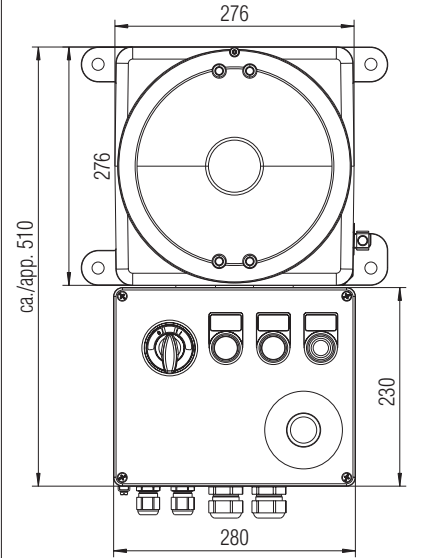
max. IP 66 (IEC 60529)



Wiring diagram/terminal assignment (by example)



Dimensions (mm)



Selection chart

Ex d enclosure with motor starter	Ex e junction box	Dimensions (mm) W x L x H	Code no.	Power variants	Code no.	Cable glands underneath	Code no.
Dimensions W x L x H 276 x 276 x 217 mm	with controls and main switch	280 x 230 x 110	1	4 kW	1	2 x M20	1
	without controls and main switch	220 x 120 x 90	2	5,5 kW	2	2 x M25	2
				7,5 kW	3		
	without control transformer, Controls and main switch	220 x 120 x 90	3	11 kW	4	2 x M32	3

➔ Complete order no. **07-4170-1161-8**

Please insert correct code. Technical data subject to change without notice.
Higher power, star-delta starter combinations, and reversing starter combinations on request.