



- Easy programming of DPC devices
- Operation independent of voltage supply
- SMART converter function USB/RS485

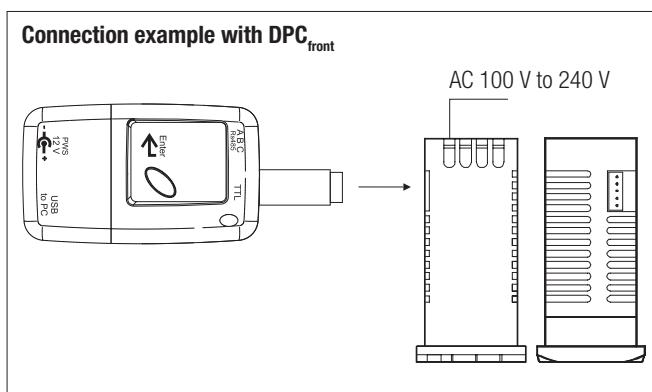
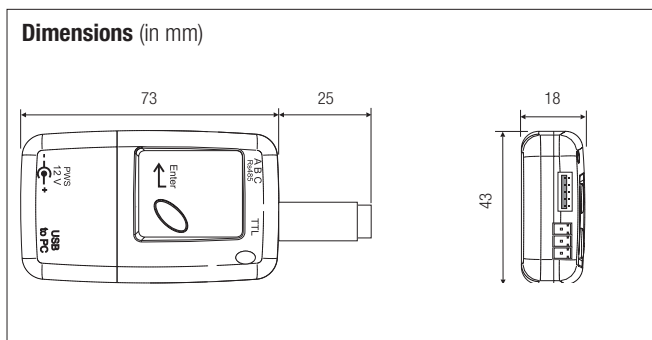
The DPC CodeKey makes it easier to set parameters for the DPC device family. Once a reference device has been successfully programmed, the operating parameters are available in a device-memory read-out. The parameters filed in the CodeKey can be copied into other devices any number of times. This reduces the programming work to a minimum. In addition, the CodeKey can be used as an interface converter between the USB and RS485.

Technical data

Voltage supply (external, optional)	DC 9 V to 12 V via 1.3 mm jack
Operating temperature	0 °C to +50 °C
Storage temperature	-20 °C to +70 °C
Air humidity	20 % to 80 % relative humidity
Degree of contamination	2
Interfaces	RS 485 not insulated, Phoenix MC 1.5/3-G-3.5 3 m max. cable length Baud rate: 1200 to 38400 baud TTL not insulated, JST S 5B-PH-KL - 2 mm 3 m max. cable length baud rate: 1200 to 38400 baud

Mode of Operation

A DIP switch can be used to select the device function required. The DPC_{front} and DPC III have at the side or under the display cover a 5-pin interface into which the CodeKey is inserted. The transmission is started at the press of a button. Once done, a status LED flashes. Voltage is supplied to the CodeKey through the interface.



Ordering information

for DPC III, DTL III Ex and DPC _{front} Standard	05-0089-0074
for DPC _{front} Komfort and DPC _{front} Monitor	05-0089-0075

Technical data subject to change without notice.