

- Self-limiting, without overheating while overlapping
- Easy installation due to on-site assembly
- Certificate for the system according to IEC/EN 60079-30-1

Explosion protection

Certification	
PSBL	KEMA 08 ATEX 0112 X IECEX KEM 09.0085X TC RU C-DE.ГБ06.В.00230
PSB	KEMA 08 ATEX 0111 X IECEX KEM 09.0084X TC RU C-DE.ГБ06.В.00230 CSA 1862457
MSB	KEMA 08 ATEX 0110 X IECEX KEM 09.0083X TC RU C-DE.ГБ06.В.00230
HSB	KEMA 08 ATEX 0110 X IECEX KEM 09.0083X TC RU C-DE.ГБ06.В.00230 CSA 1862457

Other approvals and certificates, see www.bartec.de

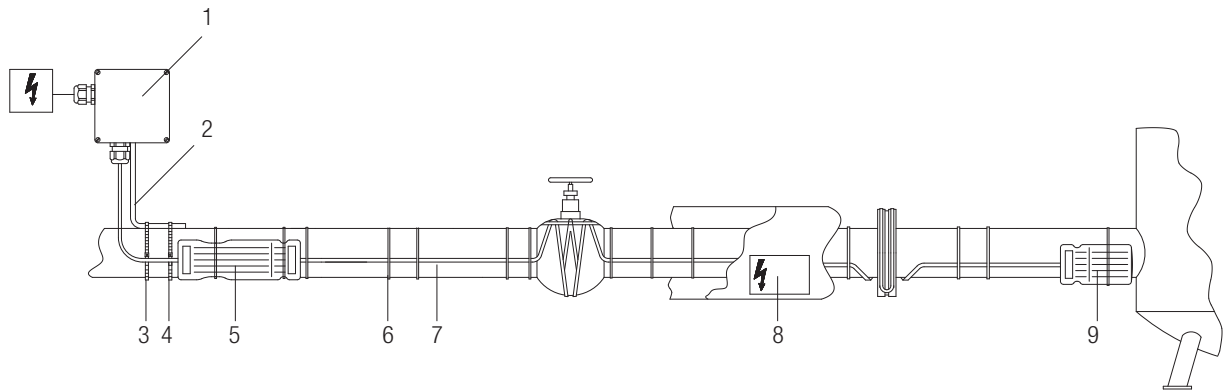
Technical data subject to change without notice.

Typical applications are frost protection, temperature maintenance and heating on pipes, tanks and containers, as well as for non-hazardous areas or areas with potentially explosive atmospheres in the process industry. The electrical heating system is the ideal solution for applications in Zones 1, 2, 21 and 22 and for Class I, II and III Div 2. Our self-limiting heating tapes have a heat output of between 10 and 60 W/m, depending on the model. Depending on the switch-on temperature or the model and the supply voltage, heating circuit lengths of over 200 m are possible. No limiter is required. The calculation and design software is available free of charge. The various combinations used to assemble the heating system can be found in the "Use of the system components in heating circuit systems" table.

System overview

- Self-limiting parallel heating tape PSBL, PSB, MSB or HSB
- PLEXO TCS
- Junction box made of polyester, stainless steel or aluminium with heat shrink or cold applied technology
- Optional: the mechanical control unit BSTW II, which can be used as junction box

Application example PSB heating system



- | | | |
|------------------------------------|----------------------------------|---------------------------------------|
| 1 Junction box or BSTW II optional | 4 Buckle for fixing strap | 7 PSB heating tape |
| 2 Installation rail/mounting plate | 5 PLEXO TCS connection | 8 Caution label "Electrically Heated" |
| 3 Fixing strap | 6 Glass fibre self-adhesive tape | 9 PLEXO TCS End termination |

Use of the system components in the PSBL, PSB, MSB and HSB trace heating systems

	Connection of supply line to heating tape	Connection of heating tape to heating tape	End termination
Cold connection with junction box	Ex (M)	Ex (M)	Ex (M)
Cold connection without junction box			Ex (M)
Heat shrink method with junction box for PSBL, PSB and HSB systems	Ex (M)	Ex (M)	Ex (M)
Heat shrink method without junction box for PSBL, PSB and HSB systems	(M)	(M)	Ex (M)
PLEXO TCS	Ex (M)	Ex (M)	Ex (M)
TWISTO-B for the PSB system	(M)	(M)	(M)
BSTW II	Ex (M)		

Corresponding installation accessories can be found in the chapter on "Installation accessories for PSBL/PSB/MSB/HSB/HTSB/EKL/EMK"

1