



ComEx^{flex} Junction box

Junction box

BARTEC offers a junction box to facilitate the use of ComEx^{flex} in a control console or a control panel. The junction box features a cable gland and can be combined with various function modules.

The junction box allows the connection of a conductor, which can be assembled either to order or by the customer.

ComEx^{flex} junction boxes in conjunction with ComEx^{flex} function modules

Explosionsschutz

Kennzeichnung

ATEX II 2G Ex de IIC T6 Gb
 II 2D Ex tb IIIC T80 °C Db IP 66

Certification

PTB 11 ATEX 1010 X

IECEX Ex de IIC T6 Gb
Ex tb IIIC T80 °C Db IP 66

Certification

IECEX PTB 11.0025X

Further approvals

NEPSI, GOST, KTL, INMETRO, DNV, CSA

Other approvals and certificates, see www.bartec-group.com

Ambient temperature

-55 °C to +40 °C / +50 °C / +60 °C

Approved for Zone

1, 2 and 21, 22

Technical data

Protection class

Function module with junction box and actuating element min. IP 66

Weight

approx. 40 g

Clamping range

4 to 9 mm
5 to 10 mm

Enclosure material/manufacturing process

Thermoplastic/injection moulding

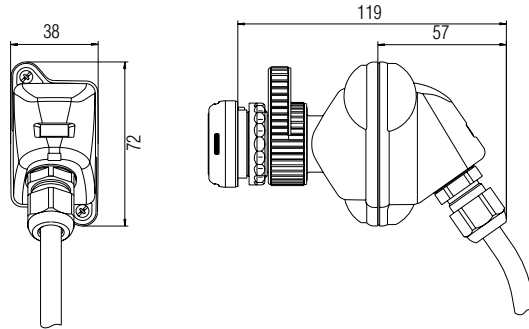
Sheathed leads available on request

BETAflam 145-flex UL
ULstyle 4486

Switch module	4 x 1,5 mm ² BK, BU, BN, GY
Lamp Module	2 x 0,75 mm ² BU, BN
Illuminated button	4 x 0,75 mm ² BK, BU, BN, GY
Potentiometer	3 x 0,75 mm ² BK, BN, GY



Dimensions



ComEx^{flex} Junction box with function modules



➔ Junction box
Order no.* 05-0042-0050

Technical data subject to change without notice.

* Product printing standard: ATEX and IECEx marking.
Other markings on request. Please specify in plain text.