



- One module for all fields of application
- Excellent luminosity
- High flexibility thanks to the junction box
- Low installation depth

The ComEx^{flex} illuminated button is used in almost all hazardous (potentially explosive) areas where machine functions are activated by pressing a button and the corresponding functional status is to be indicated visually. ComEx^{flex} is flexible and in addition to a large number of illuminated button actuators it offers a junction box to facilitate a safe and convenient installation of the module into a control panel. The module contacts are designed as snap-action contact elements. The conductors are connected by means of terminals on the back of the module which have an increased safety level. The easy installation of the lamp module actuating elements, without the use of tools, ensures conformance to the high IP degree of protection.

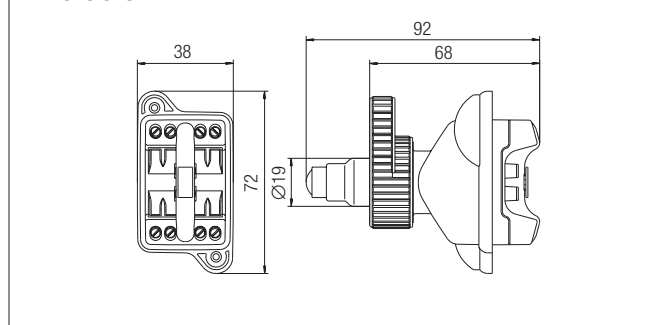
Explosion protection

Marking ATEX	II 2G Ex db eb IIC Gb I M2 Ex db eb I Mb
Certification	CML 17 ATEX 1106 U
Marking IECEx	Ex db eb IIC Gb Ex db eb I Mb
Certification	IECEx CML 17.0046U
Other approvals and certificates, see www.bartec.de	
Ambient temperature	-55 °C to +60 °C

Technical data

Protection class	determined by the actuating element and control station enclosure, min. IP 66, terminals IP 20 (IEC 60529).	
Rated insulation voltage	300 V	
Rated operating voltage	AC 12 V to 250 V	(T _a ≤ +50 °C)
	DC 12 V to 60 V	(T _a ≤ +50 °C)
	AC/DC 12 V to 24 V	(T _a ≤ +60 °C)
Power consumption	< 1 W	
Lamp	LED, red, green, yellow, white, blue	
Illumination	very bright, visible angle over 180°	
Contacts	1 N/C or 1 N/O as snap switch element AC-15 1 A/230 V DC-13 0.25 A/24 V	
Enclosure material	thermoplastic	
Type of connection	terminals 2.5 mm ² , fine-stranded	
Electrical life	>10 ⁵ running hours	
Mechanical life	>10 ⁵ switching cycles	
Storage and transport temperature	-55 °C to +70 °C	
Weight	approx. 110 g	
Mounting	locked, bayonet lock	
Shock resistance	DIN EN 60068-2-27, 30 g 18 ms	

Dimensions



Ordering information

Type of contact	Code no.	Colour LED	Code no.	Colour actuator	Code no.
	7	red	1	red	5
		green	2	green	6
		yellow	3	yellow	7
	8	white	4	white	8
		blue	5	blue	9

Complete order no.			
Illuminated button without actuating element	07-3363-4	<input type="checkbox"/>	0
Actuating element Standard	05-0003-006	<input type="checkbox"/>	00
Increased oil resistance	05-0003-006	<input type="checkbox"/>	00BN

Please enter code number.
Technical data subject to change without notice.