



ComEx^{flex} Switch module

Features

- One module for all fields of application
- Large selection of actuating elements
- High flexibility thanks to the junction box
- Low installation depth

Description

The ComEx^{flex} switch module is used in almost all hazardous areas where machine functions are activated by means of a button or a switch.

The ComEx^{flex} is flexible and in addition to a large number of actuating elements it offers a junction box to facilitate a safe and convenient installation of the module into a control panel. All contacts in the switch modules are self-cleaning and the opening contacts have positive opening operation.

The conductors are connected by means of terminals on the back of the module which have an increased safety level. The easy installation of the actuating elements without tools ensures conformance to the high IP degree of protection.

Explosion protection

Ex protection type

ATEX II 2G Ex de IIC Gb
 I M2 Ex de I Mb

Certification

PTB 99 ATEX 1043 U

IECEX Ex de IIC Gb
Ex de I Mb

Certification

IECEX PTB 07.0046 U

Further approvals

CSA, NEPSI, GOST, KTL, INMETRO, DNV

Other approvals and certificates, see www.bartec-group.com

Ambient temperature

-55 °C to +60 °C



Technical data

Protection class

determined by the actuating element and control station enclosure, min. IP 66, terminals IP 20 (IEC 60529).

Rated insulation voltage

690 V

Rated operating voltage

400 V	400 V	110 V	24 V
-------	-------	-------	------

Utilization category

AC-12	AC-15	DC-13	DC-13
-------	-------	-------	-------

Rated operating currents

16 A	10 A	0.5 A	1 A
------	------	-------	-----

Conventional thermal current I_{the}

16 A/+40 °C, 11 A/+60 °C

Contact options

contacts with positive-break operation (self-cleaning)
1 N/C and 1 N/O or 2 N/C or 2 N/O

Contact material

AgSnO₂

Enclosure material

thermoplastic

Connection

terminals 2.5 mm², fine-stranded

Mechanical life

>10⁶ switching cycles

Storage temperature

-55 °C to +70 °C

Weight

approx. 110 g

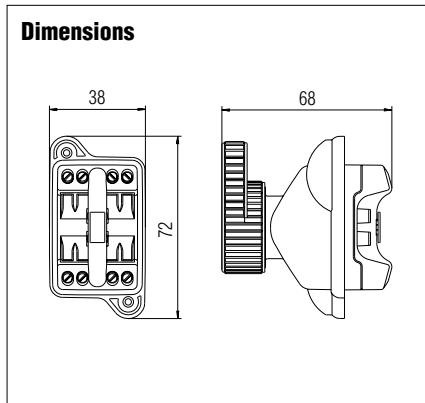
Mounting

locked, bayonet lock

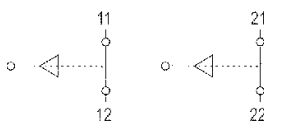
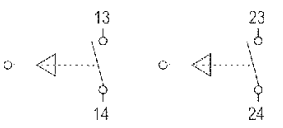
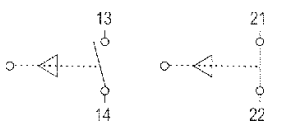
Shock resistance

DIN EN 60068-2-27, 30 g 18 ms

Dimensions



Selection chart

Type of contact	Code no.
2 N/C 	1
2 N/O 	2
1 N/C + 1 N/O 	4

Complete order no.*

Switch module without actuating element **07-3323-4** **00**

Please enter code number. Technical data subject to change without notice

* Product printing standard: ATEX and IECEx marking. Other markings on request. Please specify in plain text.