



The proportional purging gas valve activated by the APEX controller conducts the supplied purging gas into the Ex px control cabinet. During the purging phase the purging gas valve opens far enough to allow the max. purging gas pressure to be reached and ensure purging pressure in the encapsulated control cabinet. After the purging phase the purging gas valve closes. The leakage from the Ex px control cabinet is compensated by the valve's linear opening. Only the actual loss by leakage is compensated when the proportional purging gas valve is used.

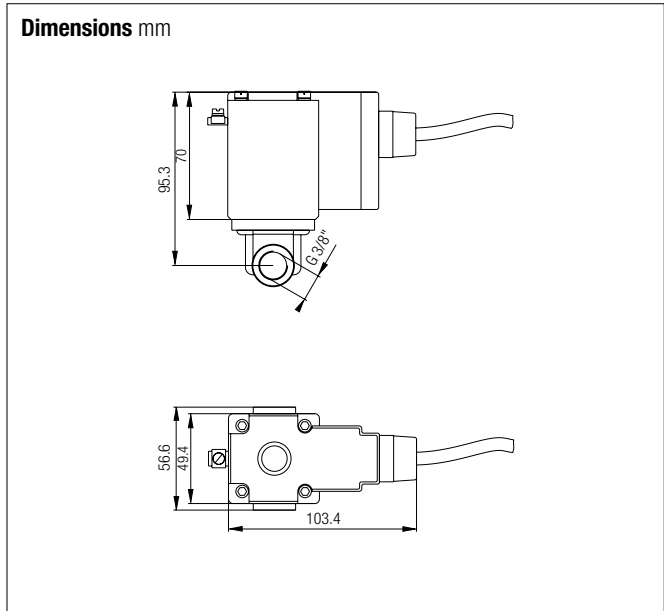
Explosion protection

Ex protection type ATEX	⊕ II 2G Ex m II T4
Certification	EPS 15 ATEX 1073X
Ex protection type IECEx	Ex m II T4
Certification	EPS 15.0066X
Approved for	Zones 1 and 2
Other approvals and certificates, see www.bartec.de	
Ambient temperature	-10 °C to +55 °C

Technical data

Supply voltage	AC 230 V/15 W/50 to 60 Hz AC 115 V/15 W/50 to 60 Hz
Voltage tolerance	± 10 %
Pressure range	0 to 4 bar
Valve connection	G 3/8"
Nominal diameter	6.0 mm
Max. Ex px control cabinet capacity	1,000 litres
Weight	approx. 1.2 kg
Protection class	IP 65
Assembly	Inside Ex px operating equipment
Scope of supply	valve with 3-m connection cable 2 x purging air nozzle, without boreholes

Dimensions mm



Ordering information Proportional purging gas valve G 3/8"

Voltage		Order no.
AC 230 V	Brass valve body	05-0056-0077
	Stainless-steel valve body	05-0056-0079
AC 110 V	Brass valve body	05-0056-0078
	Stainless-steel valve body	05-0056-0080

Technical data subject to change without notice.