



The digital purging gas valve activated by the APEX controller conducts the supplied purging gas into the Ex px control cabinet. During the purging phase the purging gas valve opens far enough to allow the max. purging gas pressure to be reached and ensure purging pressure in the encapsulated control cabinet. After the purging phase the purging gas valve closes. The leakage from the Ex px control cabinet is compensated by the valve's linear opening.

Explosion protection

Ex protection type ATEX	II 2G Ex mb IIC T6 Gb
Certification	PTB 14 ATEX 2023X
Ex protection type IECEx	Ex mb IIC T6 Gb
Certification	IECEX PTB 14.0049X
Approved for	Zones 1 and 2
Other approvals and certificates, see www.bartec.de	
Ambient temperature	-10 °C to +55 °C

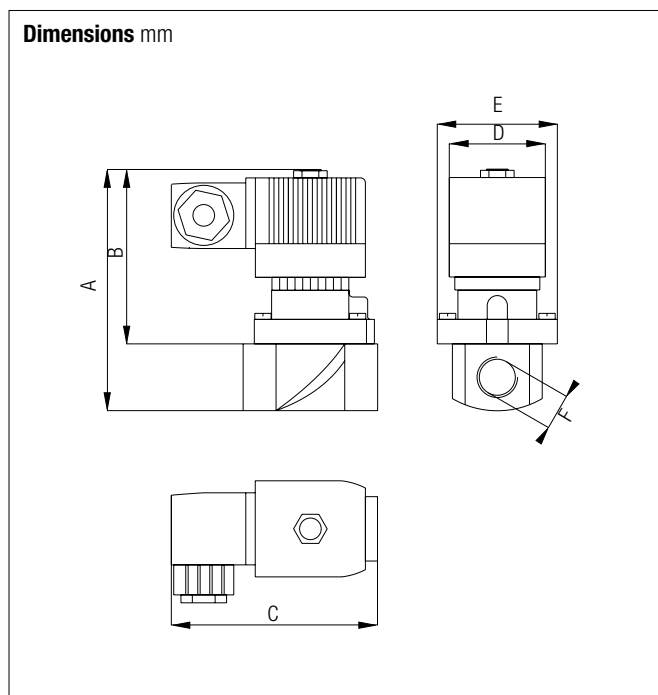
Technical data

Adjusting elements	Adjustment screw to set the quantity of leakage air
Supply voltage	AC 230 V/9 W/50 to 60 Hz AC 115 V/9 W/50 to 60 Hz DC 24 V/9 W
Voltage tolerance	± 10 %
Pressure range	0 to 16 bar
Connection	3-metre cable or terminal box
Valve connection	G 3/8"
Nominal diameter	13 mm
Max. Ex px control cabinet capacity	2,000 litres
Weight	approx. 1.2 kg
Protection class	IP 65
Assembly	Inside Ex px operating equipment
Scope of supply	Valve 2 x purging air nozzle, without boreholes

Purging air nozzle

Ex px control cabinet capacity	Recommended purging air nozzle	Recommended orifice APEX controller
< 50 litres	Ø 2.8 mm	12 mm
≥ 50 litres < 300 litres	Ø 3.9 mm	15 mm
≥ 300 < 700 litres	Ø 4.5 mm	18 mm
≥ 1000 litres	Ø 5.5 mm	2 x 18 mm

Dimensions mm



Dimensions in mm	Type
100	A
72	B
56	C
40	D
40	E
G 3/8"	F

Ordering information

	Digital purging gas valve	Code no.
3 m cable connection	AC 230 V	71
	AC 110 V	72
	DC 24 V	73

Complete oder no. 05-0560-00

Please enter code number. Technical data subject to change without notice.