



The Rail Control Unit (RCU) ANTARES is the central unit in the ANTARES system. It consists of the head module and the connection module. Various field bus and Ethernet-based head modules are available. There is no need to use an isolating repeater to connect them. Redundancy is achieved with no single point of failure by connecting two PROFIBUS-DP RCUs. The head module, consisting of the CPU, the communication interface and an integrated power supply unit, is produced with the Ex d type of protection and is plugged into the corresponding connection module. The innovative interlocking technology ensures a reliable connection. The hot swap capability allows the head module to be replaced even in an explosive atmosphere. The connection module has an integrated Ex e junction box. A version is also available for armoured leads. The system is configured by means of Software ANTARES Designer using the USB interface. See the system description for installation instructions.

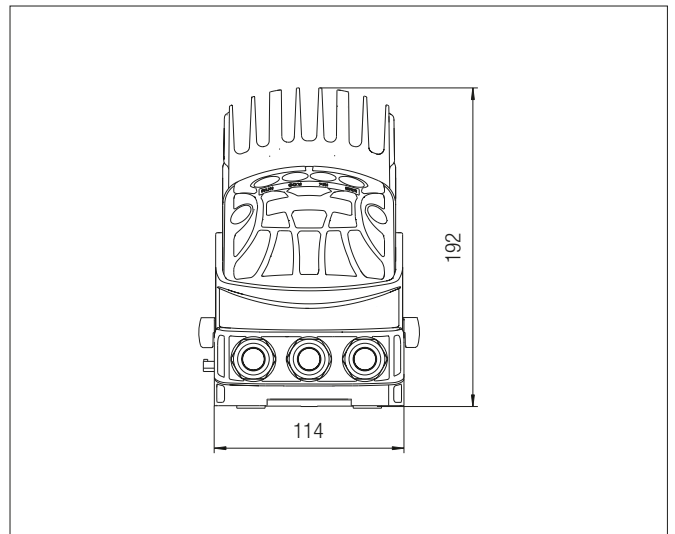
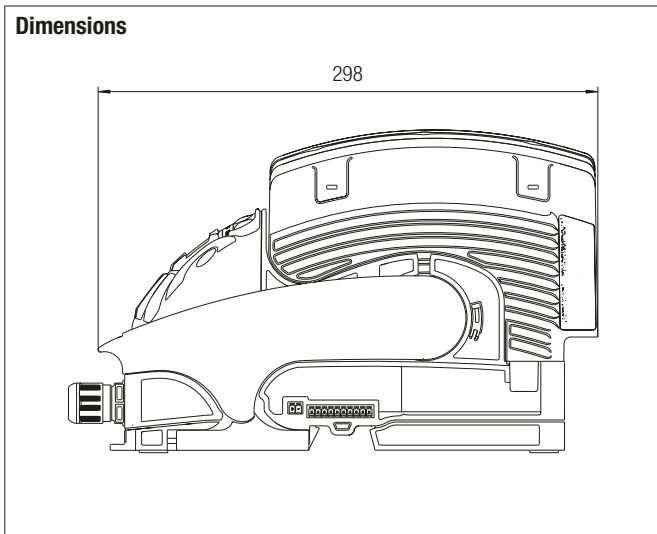
Explosion protection

Marking ATEX	II 2G Ex d e [ib] IIC T4 Gb
Certification	PTB 11 ATEX 2009 X
Marking IECEx	Ex d e [ib] IIC T4 Gb
Certification	IECEx PTB 11.0051 X
Marking CSA	Class I, Zone 1
Certification	CSA 2567944
Other approvals and certificates, see www.bartec.de	
Ambient temperature	-20 °C to +60 °C
Protection class (EN/IEC 60529)	RCU IP 54 Internal system bus IP 30 (in the ANTARES system construction)

Technical data

Enclosure material	Connection module PA Head module aluminium die-casting, PA
Mounting rail	TH 35-15 DIN EN/IEC 60715 (steel, galvanised) flush on mounting plate
Supply I/O modules	up to max. 32 modules (module dependent)
Electrical connections Ex e	Data and power supply cable through tension spring clamp up to 2.5 mm ²
Displays	LED connection modules Operation LED RUN Communication LED COM Redundancy (primary) LED PRI Error LED ERR
Rated voltage	DC 24 V -15 %, +25 %
Power consumption	max. 100 W
Overtoltage category	II
Degree of contamination	2
Dimensions RCU (W x H x D)	114 mm x 192 mm x 298 mm
Weight	approx. 5 kg
Storage and transport temperature	-25 °C to +70 °C
Relative Humidity	5 to 95 %, non-condensing
Vibration (EN/IEC 60068-2-6)	2 g/7 mm; 5 Hz to 200 Hz in all 3 axes
Shock (EN/IEC 60068-2-27)	15 g, 11 ms, ± 3 shocks per direction
Process connection	
Internal Bus communication	10 + 2 pole connector
PROFIBUS-DP	Full redundancy possible up to 1.5 Mbit/s
Ethernet 100BaseT with integrated switch	PROFINET MODBUS/TCP EtherNet/IP
Configuration	
Interface	USB
Software	ANTARES Designer
Back up	SD card

Dimensions



1

Ordering information Head Module ANTARES

Interface	Code no.
PROFIBUS-DP	1
PROFINET	2
MODBUS/TCP	3
EtherNet/IP	4

Complete order no. 17-5174-1 **00**

Please enter code number. Technical data subject to change without notice.

Ordering information Connection Module ANTARES

Interface	Code no.	Wire	Code no.
EtherNet	9	not armoured	1
PROFIBUS-DP	1	armoured	2

Complete order no. 17-5164-9 **0**

Please enter code number. Technical data subject to change without notice.