



- UV resistant
- IP 66/IP 67/IP 69
- VDE tested

**Installation instructions**

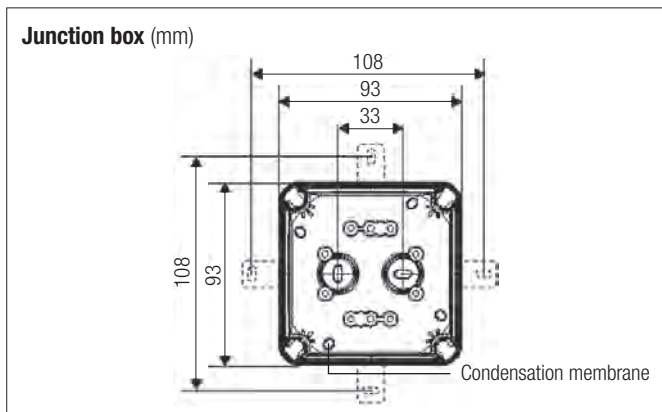
Always connect the heating cable with wire end ferrules in the terminal. Tightening torque: 0.7 Nm  
The cover fasteners can be sealed without any accessories.

**Measures to prevent condensate forming**

1. Choose an installation location with care (avoid temperature differences).
2. Open the condensation membrane at the lowest point of the cable junction box.
3. IP55 protection class is achieved with wall or ceiling installation.

**Technical data**

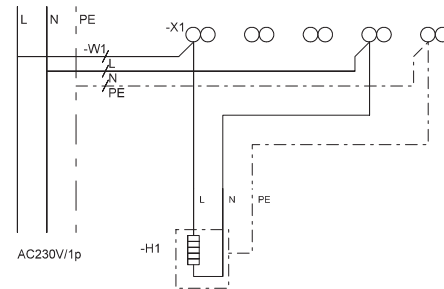
Dimensions	93 mm x 93 mm x 62 mm (without external mounting parts)	
Protection class according to EN 60529	AG-3G AG-3B	IP 66/EN 60529/IK 07 IP 66/IP 67/IP 69, 1 m/15 min./IK 09 VDE-tested, DNV GL
Ambient temperature range	AG-3G AG-3B	-25 °C to +40 °C/V-2 -25 °C to +70 °C/V-0
Housing material	AG-3G AG-3B	PP (polypropylene) Glass fibre-reinforced polycarbonate
Cable gland	1 x M20	
Terminal blocks	5 x 2 x 2.5 mm <sup>2</sup> for connecting from one to three heating cables, all terminals with two terminal connections per pole, use wire end ferrules	
Rated isolation voltage	AC 400 V/20 A	
Toxic properties	Halogen-free, silicone-free	



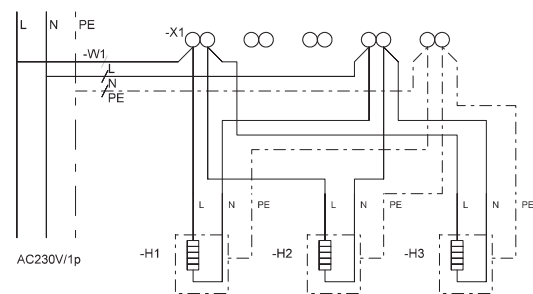
The AG-3G junction box is suitable for use indoors and protected installation outdoors. A cover retaining strap and external brackets are included for wall installation. The AG-3B junction box is also UV-resistant and rainwater-proof.

**Circuit diagrams**

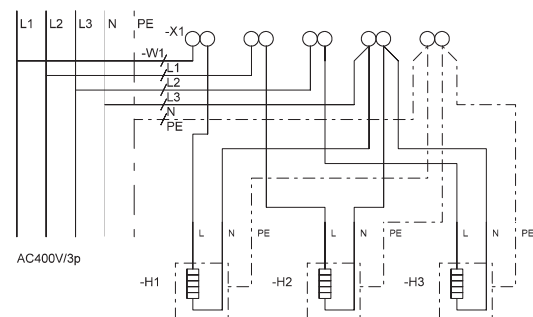
Example: One AC 230 V heater connected to one phase



Example: Three AC 230 V heaters connected to one phase



Example: Three AC 230 V heaters connected to three phases



**Order information**

AG-3G, grey	<b>05-0079-0049</b>
AG-3B, black, UV-resistant, rainwater-proof	<b>05-0079-0050</b>

Corresponding installation accessories can be found in the chapter on "Installation accessories for PSBL/PSB/MSB/HSB/HTSB/EKL/EMK"

Technical data subject to change without notice.