

Installation: hazardous areas - Zone 2 (Gases) - Zone 22 (Dusts)
Classification: Group II - Category 3G 3D



REFERENCE STANDARDS

Directive 94/9/EC (until April 19th, 2016) - Directive 2014/34/EU (from April 20th, 2016)	
EXECUTION	⊗ II 3 G Ex Ex nR IIC T3/T4 Gc ⊗ II 3 D Ex tc IIIC T200°C/T135°C Dc
RULES OF COMPLIANCE	EN/IEC 60079-0; EN/IEC 60079-15; EN/IEC 60079-31
EC Type-Examination Certificate	IMQ 10 ATEX 032X
PROTECTION DEGREE	IP66
AMBIENT TEMPERATURE	-40°C ÷ +60°C
OTHER AVAILABLE CERTIFICATES	RUSSIAN MARINE CERTIFICATE (RMRS): 13.03516.315 INMETRO: CEPEL 14.2313X

Mechanical characteristics

Body	marine grade copper free aluminium (control gear & lamp body)
Globe	high-temperature resistant borosilicate glass
Painting	external epoxy powders grey RAL-9006 colour
Screws	external stainless steel
Gaskets	silicon rubber

Electrical characteristics

Power supply	conventional ballast 230v - 50hz (p.f.corrected - cos ρ ≥ 0,95)
Lampholders	porcelain E27/E40 size
Internal wiring	high-temperature resistant silicon rubber insulation cables
Terminals	suitable up to 4 sq/mm cables

On request accessories:

- Ceiling mounting kit complete with stainless steel hardware
- Pendant mounting kit complete with stainless steel hardware
- Pole mounting 25° kit 1 1/2" dia. complete with stainless steel hardware
- Wall/Structure mounting kit complete with stainless steel hardware
- Galvanized steel wire protection guard
- Stainless steel wire protection guard
- White stove enamelled aluminium reflectors
- White stove enamelled aluminium reflectors inclined 30°
- Stainless steel AISI 316L reflectors
- External painting colour on request
- Control gear with voltage supply different than standard
- Threaded cable entry different than standard



EWN Technical data

CODE	TYPE LAMP	TEMPERATURE CLASS (GAS)	TEMPERATURE CLASS (DUSTS)	LAMPHOLDER SIZE	DETAIL
------	-----------	-------------------------	---------------------------	-----------------	--------

LIGHTING FIXTURE FOR HIGH PRESSURE MERCURY VAPOUR LAMP - POWER SUPPLY 230V 50Hz

EWN2-80HG	80 W	T4	T 135°C	E-27	A
EWN2-125HG	125 W	T3	T 200°C	E-27	A
EWN3-250HG	250W	T4	T 135°C	E-40	A
EWN5-400HG	400 W	T3	T 200°C	E-40	A

LIGHTING FIXTURE FOR METAL HALIDE LAMP - POWER SUPPLY 230V 50Hz

EWN2-70MH	70 W	T4	T 135°C	E-27	A
EWN2-100MH	100 W	T4	T 135°C	E-27	A
EWN2-150MH	150 W	T3	T 200°C	E-27	A
EWN3-175MH	175 W	T3	T 200°C	E-40	A
EWN3-250MH	250 W	T3	T 200°C	E-40	A
EWN5-400MH	400 W	T3	T 200°C	E-40	A

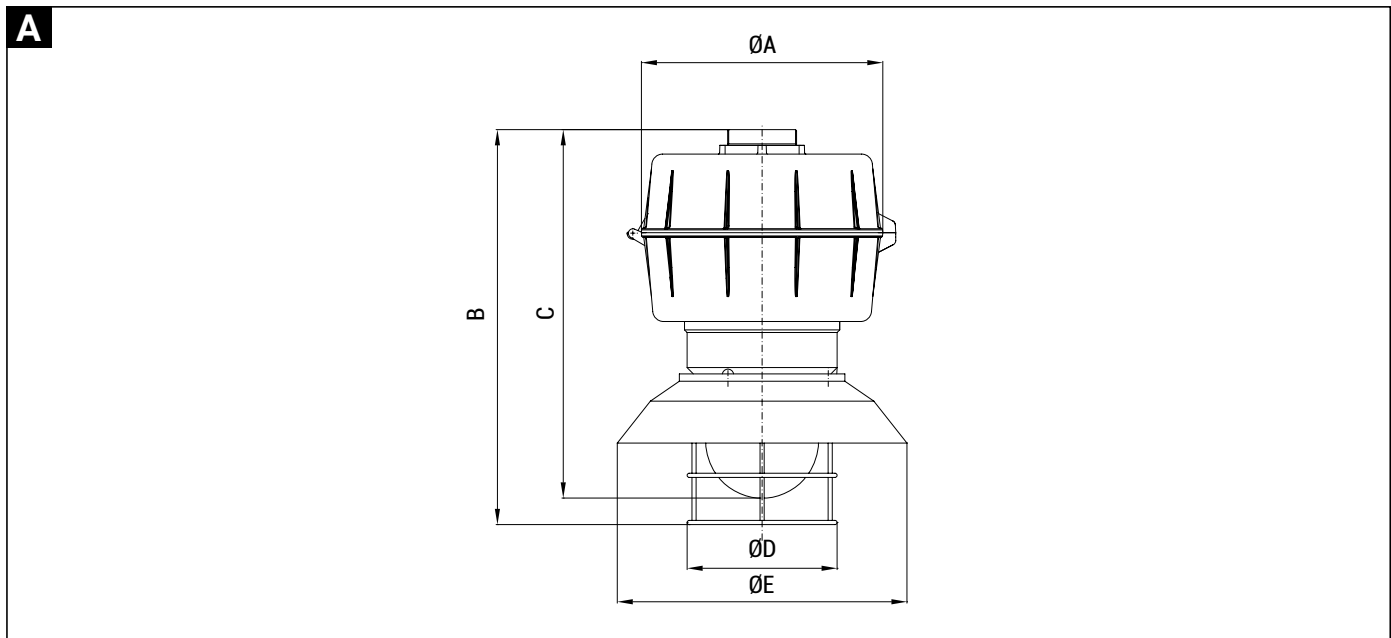
LIGHTING FIXTURE FOR HIGH PRESSURE SODIUM LAMP - POWER SUPPLY 230V 50Hz

EWN2-70HPNA	70 W	T4	T 135°C	E-27	A
EWN3-100HPNA	100 W	T4	T 135°C	E-40	A
EWN3-150HPNA	150 W	T3	T 200°C	E-40	A
EWN3-250HPNA	250 W	T3	T 200°C	E-40	A
EWN5-400HPNA	400 W	T3	T 200°C	E-40	A

EWN Technical features

CODE	A [mm]	B [mm]	C [mm]	Ø D [mm]	Ø E [mm]	WEIGHT [Kg]	DETAIL
EWN2	280	430	415	145	280	8,5	A
EWN3	280	510	480	190	402	9,5	A
EWN5	280	570	545	255	515	10	A

Reference details

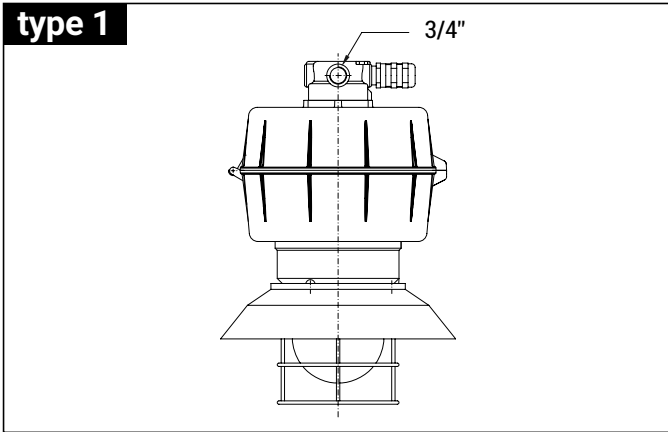




EWN Installation and mounting details

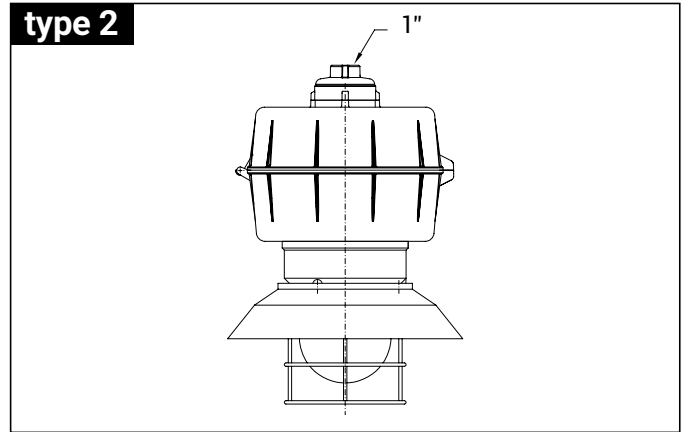
Ceiling mounting

type 1



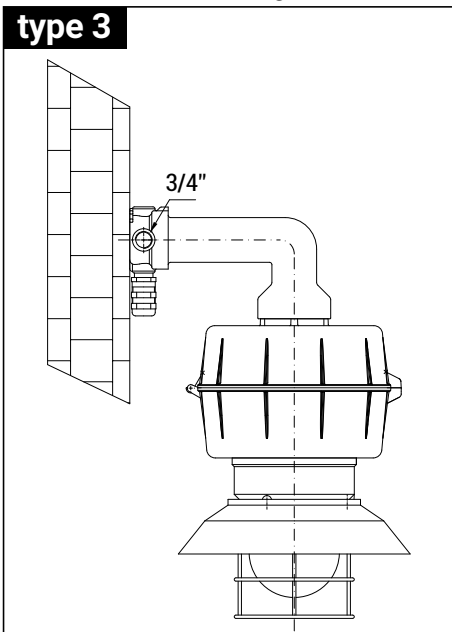
Pendant mounting

type 2



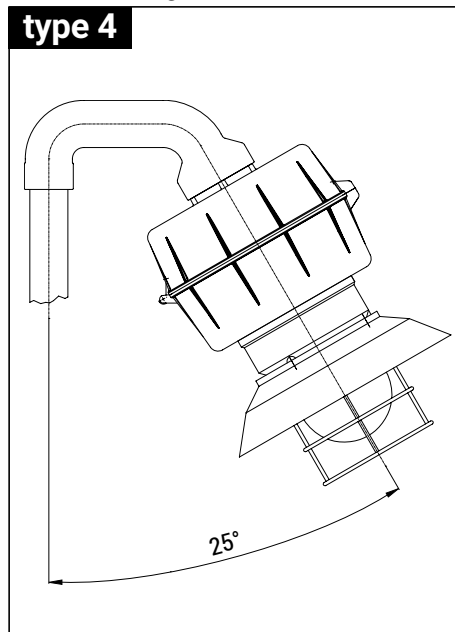
Wall/structure mounting

type 3



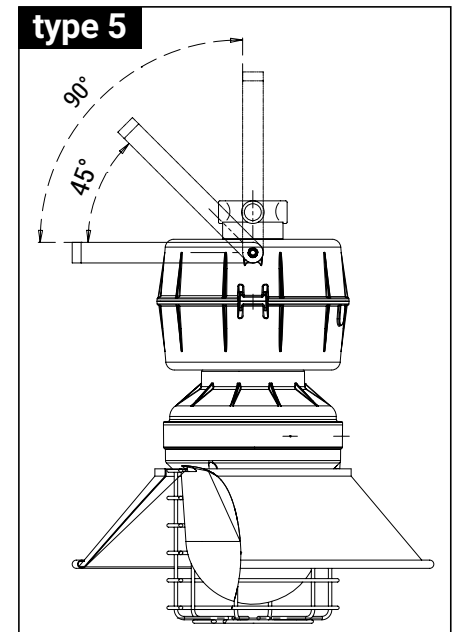
Pole mounting 25°

type 4



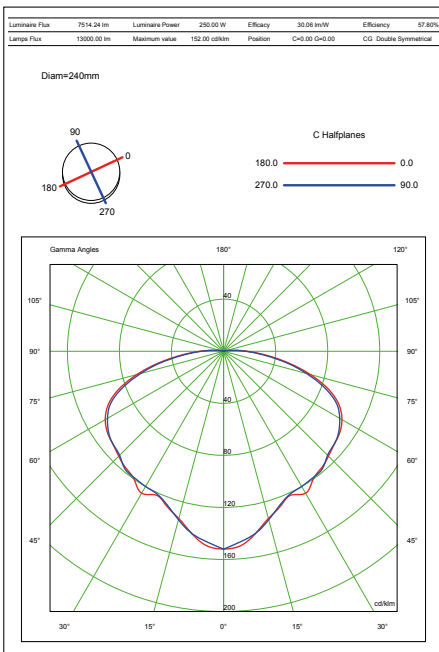
Universal mounting inst. with adjustable bracket

type 5

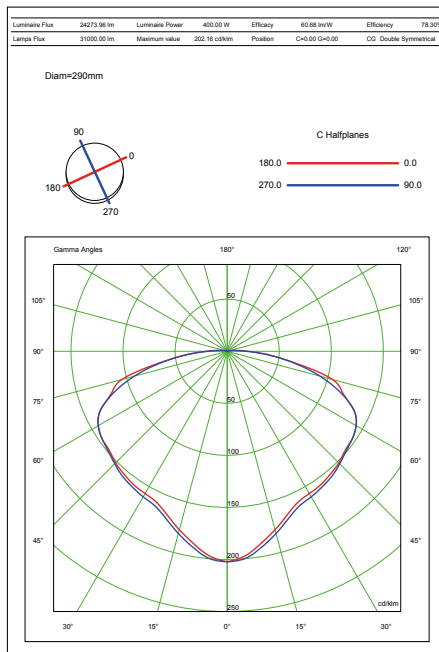


EWN Polar diagrams – photometric data

EWN3-250HG



EWN5-400MH



EWN3-250HPS

