



The RS485/PROFIBUS Optical fibre Ring coupler reroutes the PROFIBUS from copper conductors to optical fibres. The coupler is a passive bus participant. The transmitter and receiver for the optical fibre ring coupler are activated in an intrinsically safe way, thereby ensuring that the transmission power of the transmitter does not exceed the permitted limits. The electronics for the signal conversion are accommodated in the flameproof MODEX enclosure - Transmitter and receiver for the Optical fibre-coupler are intrinsically safe headed. The intrinsically safe control transmitter and receiver of the electronic system guarantee that the transmitter rate does not go beyond maximum value limits.

Configuration Depending on the topology, several devices can be arranged in a ring. The ring must contain a master device. All other devices should be configured as slaves. The master must be connected to the level above it (e.g. control system).

Explosion protection

Marking ATEX	II 2(1)G Ex db e [ib] IIC Gb I M2 Ex db e [ib] I Mb
Certification	PTB 97 ATEX 1068 U TÜV 99 ATEX 1404 X
Marking IECEx	Ex db e [ib] IIC Gb Ex db e [ib] I Mb
Certification	IECEx PTB 11.0083U IECEx TUN 12.0024X
Marking CSA	Class I Zone 1 IIC A/Ex d e [ib] IIC Gb
Certification	CSA 2011-2484303U
Other approvals and certificates, see www.bartec.de	
Installation	Type 17-1923-1122/0000 II (2) G / II (2) D [Ex ib Gb] IIC [Ex ib Db] IIC
Optical fibre	Transmitter Type 17-2114-0002 II 2 G / II 2 D Ex ib op is IIC T4 Gb Ex ib IIIC TX* °C Db Receiver Type 17-2114-0003 II 2 G / II 2 D Ex ib IIC T4 Gb Ex ib IIIC TX* °C Db Further safety data see EC type examination certificate. * See instruction manual for details.

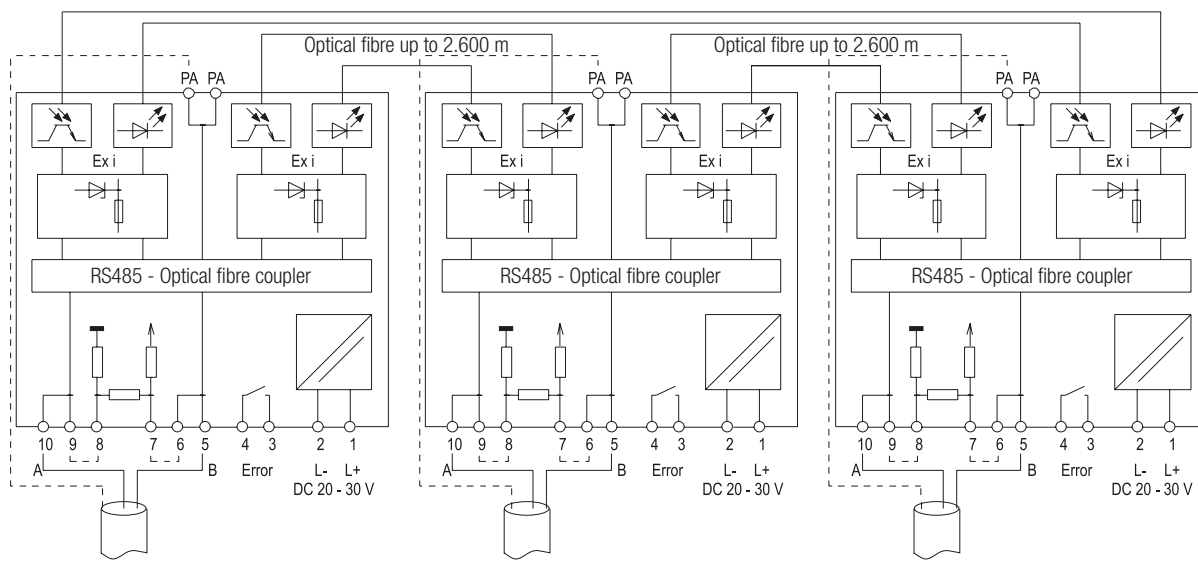
Technical data

Construction	Clip-on enclosure to TH 35
Enclosure material	High-quality thermoplastic
Protection class	At least IP 20
Terminals	2.5 mm ² , fine stranded
Device designation	Front plate for labelling
Displays	LEDs on front panel
Storage temperature	-40 °C to +70 °C
Ambient temperature	-25 °C to +60 °C at T4
Weight	600 g

Electrical data

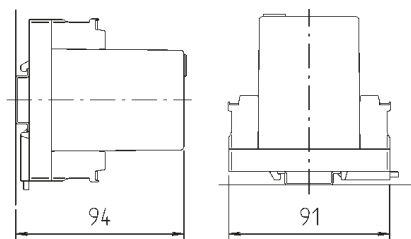
Supply voltage	DC 20 V to DC 30 V
Power dissipation	max. P _v = 1.50 W (Module)
Galvanic isolation	Bus//power supply//optical fibre
Bus input/output	2-wire remote bus with screw terminals
Optical fibre input/output	FSMA Optical fibre plug-in connectors or ST Optical fibre plug-in connectors
Wavelength	850 nm/glass
Displays	operation LED green active bus LED yellow
Range	1400 m; 50.0 µm fibre/glass 2600 m; 62.5 µm fibre/glass
Fault indicator	Fibre segment fault Channel 1, LED yellow Fibre optic segment fault Channel 2, LED red

Connection example of optical fibre Ring coupler

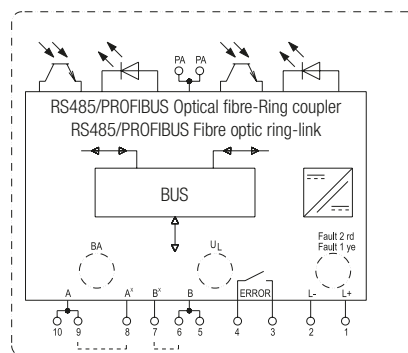


1

Dimensions/mounting positions



Wiring diagram/terminal assignment



Ordering information

Master/Slave*	FSMA	07-7311-97WP/5400
Master/Slave*	ST	07-7311-97WP/5410

* is configured using a contract bridge between terminal master/MA

Technical data subject to change without notice.