



This power supply unit with wide-range input is suitable for universal use. The DC output voltage is stabilised, galvanically isolated and permanently protected against short-circuits.

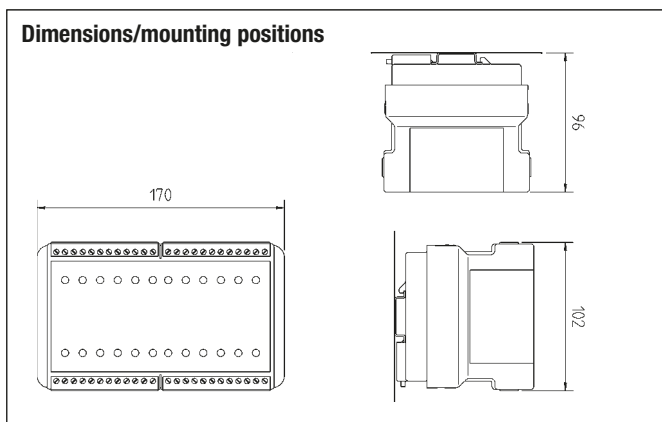
Explosion protection

Marking ATEX	II 2G Ex db e IIC Gb II M2 Ex db e I Mb
Certification	PTB 97 ATEX 1066 U
Marking IECEx	Ex db e IIC Gb Ex db e I Mb
Certification	IECEx PTB 11.0082U
Marking CSA	Class I, Zone 1, IIC A/Ex d e IIC Gb
Certification	CSA 2011-2484303U
Other approvals and certificates, see www.bartec.de	

Technical data

Construction	Flameproof, clip-on enclosure for TH 35 rail	
Enclosure material	High-quality thermoplastic	
Protection class	Module	IP 66 EN/IEC 60529
	Terminals	IP 20 EN/IEC 60529
	Terminals with cover	IP 30 EN/IEC 60529
Terminals	2.5 mm ² , fine stranded	
Terminal designation	written marking labels	
Display	LEDs on front panel	
Ambient temperature	-25 °C to +60 °C at T4	
Storage temperature	-25 °C to +60 °C	
Weight	2.1 kg	

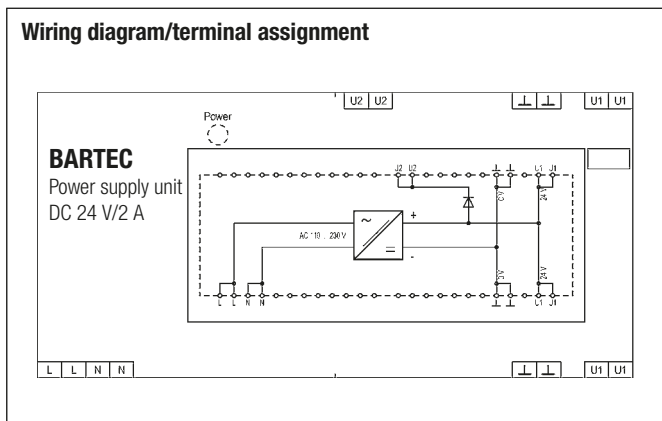
Dimensions/mounting positions



Electrical data

Supply voltage	AC 110 to 250 V, 47 to 63 Hz	
Input voltage range	AC 94 to 265 V	
Nominal input current	0.6 A at AC 230 V/1.1 A at AC 120 V	
Power consumption	P _{max.} = 66 W	
Power dissipation	P _{V tot.} = 7.3 W	
Galvanic isolation	Input//Output	
Display	Operation	LED green
	Overload > 3 A or short-circuit	LED green flashing

Wiring diagram/terminal assignment



Outputs	
Output voltage	DC 24 V +/- 3 %
Output current	2 A at T _u < +50 °C
Power derating	2.5 %/K > +50 °C
Nominal output power	P _a = 48 W
Residual ripple	< 50 mV at T _u = -10 °C to +60 °C
Protection and monitoring	Permanent short-circuit protection, overload proof

Note: At least 40 mm clearance must be left around the power supply unit.

Ordering information

Power supply unit, DC 24 V/2 A	07-7331-1201/0000
Technical data subject to change without notice.	