



Flameproof control unit

Features

- Variety of covers
- Variety of connection possibilities
- Bushings can be fitted on all sides
- Flange surfaces for mounting enclosures
- Low weight

Description

As flameproof control unit, this Ex d enclosure from BARTEC provides a compact solution for the installation of standard industrial products, whereby components such as contactors and relays are installed in a flameproof enclosure.

The enclosure is light, flexible with respect to wiring systems, may be flange mounted and can be equipped with electrical or mechanical line bushings on the sides and in the lid. The different versions of lids enable the installation of display units or devices with control buttons. The installation of Ex i assemblies is also permitted.

Types of connection

Flameproof control units may be connected either with direct cable entry by means of Ex d cable glands or indirectly using an Ex e junction box. The electrical connection between Ex d and Ex e area takes place using Ex d line bushings with terminals. Control devices and display units can be installed in the junction box.

➔ Explosion protection

Ex protection type max.

Dependent on the installed components;
Observe the information on the type label.

ATEX Ex protection type

⊕ II 2 G Ex db eb ia/ib [ib]
IIA, IIB resp. IIC T6, T5 resp. T4 Gb

⊕ II 2 (1) G Ex db eb ia/ib [ia]
IIA, IIB resp. IIC T6, T5 resp. T4 Gb

Certification

PTB 03 ATEX 1138

Ambient temperature

Dependent on the installed components;
Observe the information on the type label.

Operating temperature

-20 °C to +55 °C

Approved for

Zone 1 and 2

➔ Technical data

Power dissipation

max. 67 W
(depending on version and type of protection)

Protection class

max. IP 54 (IEC 60529)

Rated cross-section of conductor

max. 16 mm²

Weight

approx. 4 kg
(depending on the version)

Enclosure material

aluminium

Rated voltage

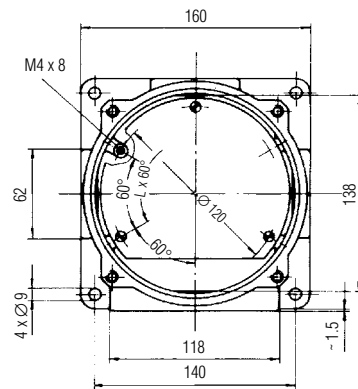
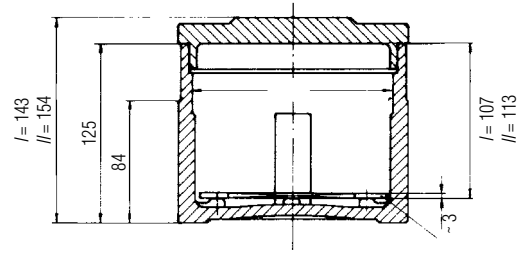
max. 690 V

Rated current

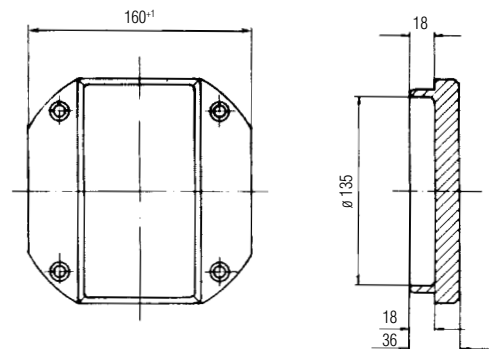
max. 104 A



Dimensions



Lid closed (/)



Versions to specification, please give particulars in pain text.

➔ **Order no. 07-4230-11**

Technical data subject to change without notice.