

SFDN-SFDNX Floodlights for discharge lamps

Explosion Proof Electrical Equipment



Ex Lighting

Installation: hazardous areas - Zone 2 (Gases) - Zone 22 (Dusts)

Classification: Group II - Category 3G 3D



Asymmetric



Symmetric



Concentrating



REFERENCE STANDARDS

Directive 94/9/EC (until April 19th, 2016) - Directive 2014/34/EU (from April 20th, 2016)

EXECUTION	⊕ II 3 G Ex nR IIC T3/T2 Gc ⊕ II 3 D Ex tc IIIB T200°C/T300°C Dc
RULES OF COMPLIANCE	EN 60079-0 + A11; EN 60079-15; EN 60079-31
EC Type-Examination Certificate	LCIE 15 ATEX 1012X
PROTECTION DEGREE	IP66
AMBIENT TEMPERATURE	-40°C ÷ +60°C
OTHER AVAILABLE CERTIFICATES	IECEX: IECEX LCIE 15.0020 X INMETRO: CEPEL 15.2353X RUSSIAN MARINE CERTIFICATE (RMRS): 13.03516.315

Mechanical characteristics

Body	marine grade copper free aluminum (SFDN version) stainless steel AISI 316L - sp. 1.5mm pickled, polished and brightened (SFDNX version)
Diffuser	tempered front glass
Support	steel bracket with rotation-proof system
Reflector	anodized and polished 99,85 pure aluminum internal optic
Painting	thermosetting polyester powder resistant to atmospheric agents and corrosion grey RAL 9006 colour (for SFDN version - on request for SFDNX)
Screws	stainless steel
Gaskets	pure silicon heat resistance
Cable entry	ISO-METRIC complete with cable gland
Internal optic	(S) symmetric optic - (A) asymmetric optic - (C) concentrating beam optic (SFDN version only)

Electrical characteristics

Power supply	conventional ballast 230V - 50Hz (P.F. CORRECTED - cos $\rho \geq 0,95$)
Lampholders	porcelain E40
Internal wiring	high-temperature resistant silicon rubber insulation cables
Terminals	suitable up to 4 sq/mm cables

On Request Accessories:

- Control gear with voltage supply different than standard
- Internal optical code (S - A - C), has to be added to the floodlight code (only for SFDN)



SFDN-SFDNX Technical data

CODE	LAMP	TEMPERATURE CLASS (GAS)	TEMPERATURE CLASS (DUSTS)	LAMPHOLDER SIZE	CABLE ENTRY WITH CABLE GLAND	DETAIL
------	------	-------------------------	---------------------------	-----------------	------------------------------	--------

FLOODLIGHT FOR HIGH PRESSURE MERCURY VAPOUR LAMP - POWER SUPPLY 230V 50Hz

SFDN-250HG-*	250 W	T3 (Ta = -40°C / +45°C)	T 200°C	E-40	1 x ISO-M20	A
SFDN-400HG-*	400 W	T2 (Ta = -40°C / +60°C)	T 300°C			B

Note: available with symmetric optic only

FLOODLIGHT FOR METAL HALIDE LAMP - POWER SUPPLY 230V 50Hz

SFDN-150MH-*	150 W	T3 (Ta = -40°C / +60°C)	T 200°C	E-40	1 x ISO-M20	A
SFDNX-150MH	150 W					B
SFDN-250MH-*	250 W	T3 (Ta = -40°C / +45°C) T2 (Ta = -40°C / +60°C)	T 200°C T 300°C			A
SFDNX-250MH	250 W					B
SFDN-400MH-*	400 W					A
SFDNX-400MH	400 W					B

FLOODLIGHT FOR HIGH PRESSURE SODIUM LAMP - POWER SUPPLY 230V-50Hz

SFDN-150HPNA-*	150 W	T3 (Ta = -40°C / +60°C)	T 200°C	E-40	1 x ISO-M20	A
SFDNX-150HPNA	150 W					B
SFDN-250HPNA-*	250 W	T3 (Ta = -40°C / +45°C) T2 (Ta = -40°C / +60°C)	T 200°C T 300°C			A
SFDNX-250HPNA	250 W					B
SFDN-400HPNA-*	400 W					A
SFDNX-400HPNA	400 W					B

(*) INTERNAL OPTICAL BEAM: (S) SYMMETRIC BEAM - (A) ASYMMETRIC BEAM - (C) CONCENTRATING BEAM

SAMPLE: SFDN#400MH-S= 400W METAL HALIDE FLOODLIGHT WITH SYMMETRIC OPTICAL BEAM

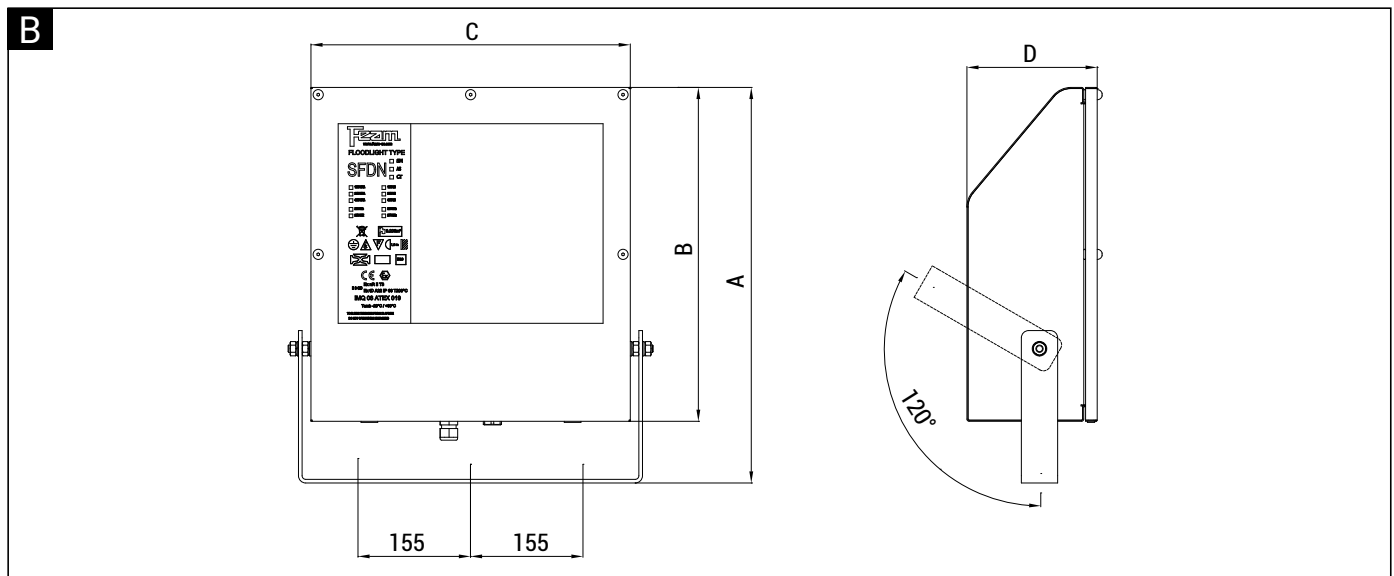
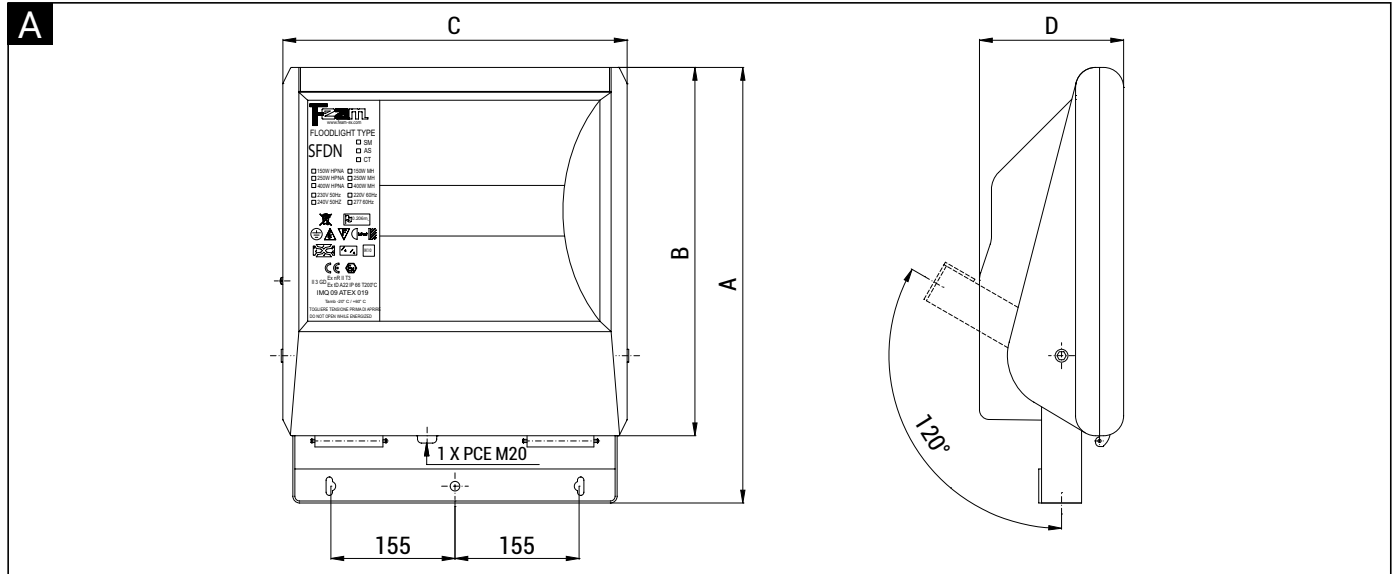
SFDN-SFDNX Technical features

CODE	A [mm]	B [mm]	C [mm]	D [mm]	WEIGHT [Kg]	CABLE ENTRY	DETAIL
SFDN-250HG	544	461	430	180	8,80	1 x ISO-M20	A
SFDN-400HG	544	461	430	180	9,10	1 x ISO-M20	A
SFDN-150MH	544	461	430	180	9,50	1 x ISO-M20	A
SFDNX-150MH	545	460	440	180	9,50	1 x ISO-M20	B
SFDN-250MH	544	461	430	180	9,70	1 x ISO-M20	A
SFDNX-250MH	545	460	440	180	9,70	1 x ISO-M20	B
SFDN-400MH	544	461	430	180	11,00	1 x ISO-M20	A
SFDNX-400MH	545	460	440	180	11,00	1 x ISO-M20	B
SFDN-150HPNA	544	461	430	180	10,50	1 x ISO-M20	A
SFDNX-150HPNA	545	460	440	180	10,50	1 x ISO-M20	B
SFDN-250HPNA	544	461	430	180	11,10	1 x ISO-M20	A
SFDNX-250HPNA	545	460	440	180	11,10	1 x ISO-M20	B
SFDN-400HPNA	544	461	430	180	12,30	1 x ISO-M20	A
SFDNX-400HPNA	545	460	440	180	12,30	1 x ISO-M20	B



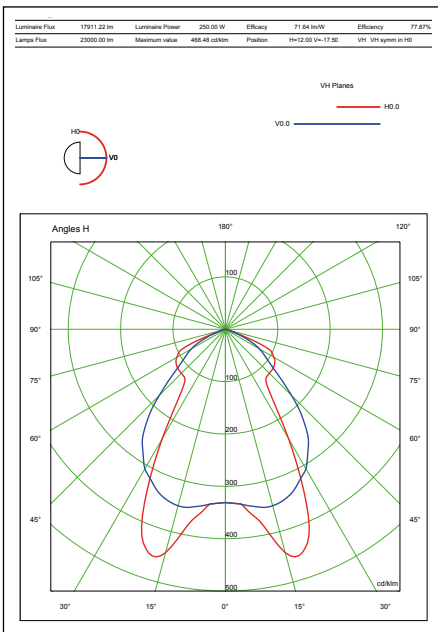
SFDN-SFDNX Technical features

Reference details

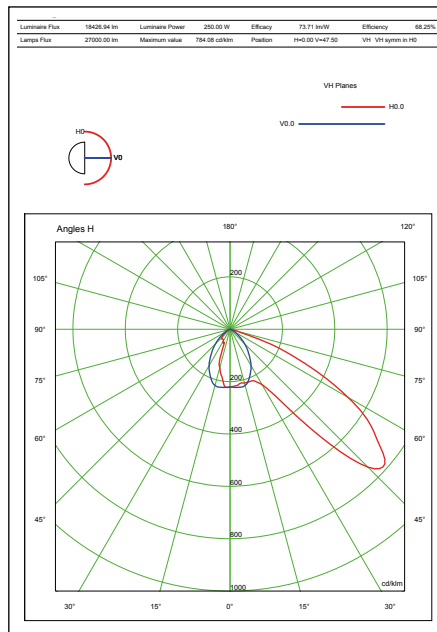


SFDN-SFDNX Polar diagrams – photometric data

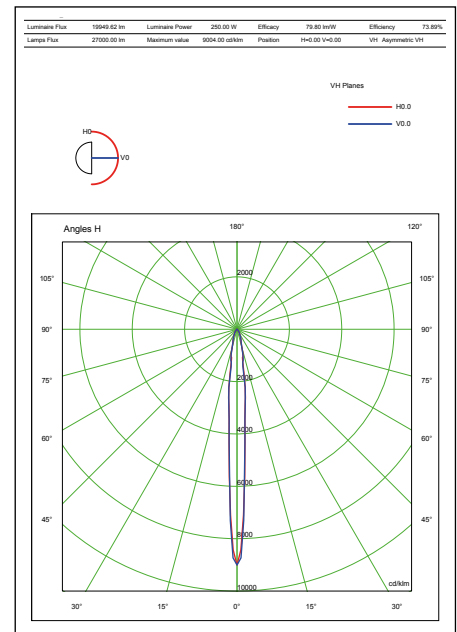
SFDN-250HPNA-S



SFDN-250HPNA-A



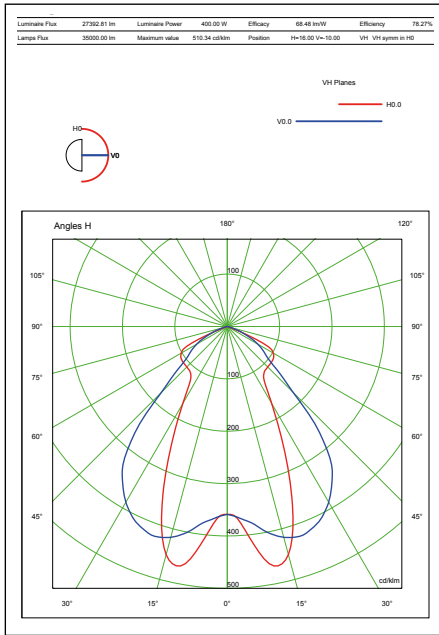
SFDN-250HPNA-C



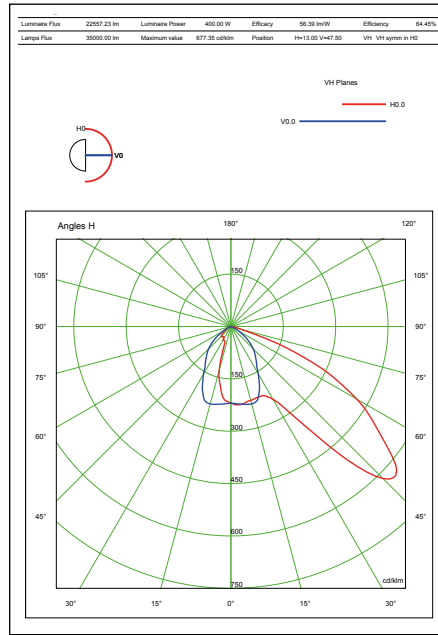


SFDN-SFDNX Polar diagrams photometric data

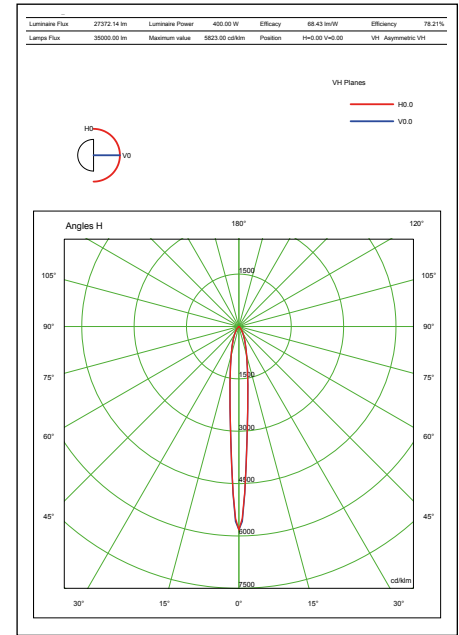
SFDN-400MH-S



SFDN-400MH-A



SFDN-400MH-C

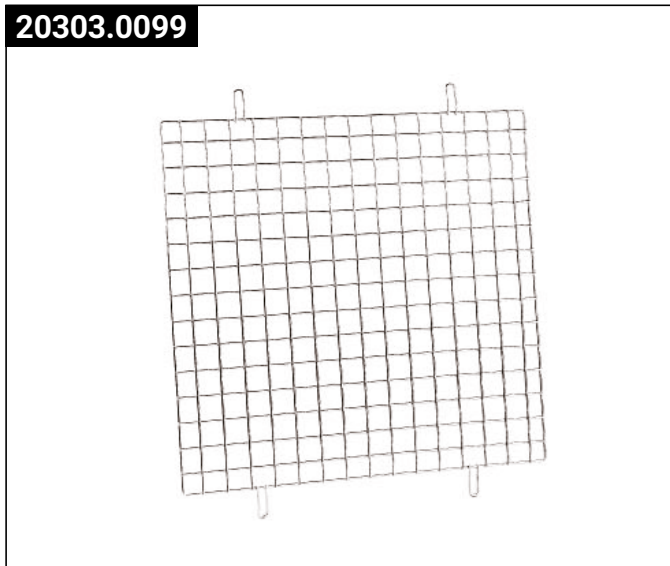


SFDN-SFDNX On request accessories

CODE	DESCRIPTION	MATERIAL
20303.0099	PROTECTION GRID	ALUMINIUM
20303.0100	POLE ADAPTER FOR DIA 40÷60MM	PAINTED STEEL

Protection grid

20303.0099



Pole adapter

20303.0100



REMARK:

Due to the development of the national and international specifications and of the technology, the above technical characteristics showed on this bulletin can be considered as binding on our confirmation only.