



Installation: hazardous areas - Zone 2 (Gases) - Zone 22 (Dusts)
Classification: Group II - Category 3G 3D



REFERENCE STANDARDS

Directive 2014/34/EU

EXECUTION	⊗ II 3 G Ex nA IIC T6/T5/T4 Gc ⊗ II 3 D Ex tc IIIC T85°C/T100°C/T135°C Dc
RULES OF COMPLIANCE	EN 60079-0; EN 60079-15; EN 60079-31
EC Type-Examination Certificate	IMQ 08 ATEX 008X
PROTECTION DEGREE	IP66
AMBIENT TEMPERATURE	-20°C ÷ +60°C
OTHER AVAILABLE CERTIFICATES	EAC: TC RU C-IT.BH02.B.00602 (-40°C ÷ +60°C) RUSSIAN MARINE CERTIFICATE (RMRS): 19.02519.280

Mechanical characteristics

Body	glass fibre reinforced polyester resin
Diffuser	U/V resistant polycarbonate - hinged to body
Safety closing	stainless steel hooks with safety device
Gaskets	EPDM 60 rubber suitable for high temperatures and resistant to environments conditions
Internal reflector	white stove enamelled sheet steel
Cable entry	complete with 1 PVC cable gland + 1 PVC stopping plug

Electrical characteristics

Power supply	dual channel electronic ballast: - 110÷240Vac - 50/60 Hz (cos ρ ≥ 0,98) - 110÷240Vdc
Emergency unit	emergency unit with autonomy from 120 min. - (inverter) 220÷240V 50/60Hz
Lampholders	bi-pin G13 cap
Terminals	suitable up to 6 sq/mm cables

(*) The lighting fittings must be used appropriately without changing the mechanical and protection features, and must not be installed on surfaces subject to strong vibrations, outdoor on cables or poles. Direct exposure to sunlight could compromise the mechanical protection degree.



On Request Accessories:

- Pole mounting kit complete with stainless steel hardware
- Ceiling mounting kit complete with stainless steel hardware
- Pendant mounting kit complete with stainless steel hardware
- Wall/Structure mounting kit complete with stainless steel hardware
- Electronic ballast with voltage supply different than standard
- Ex-de safety switch
- AUTOTEST electronic system for emergency unit
- Up to 4 cable entries

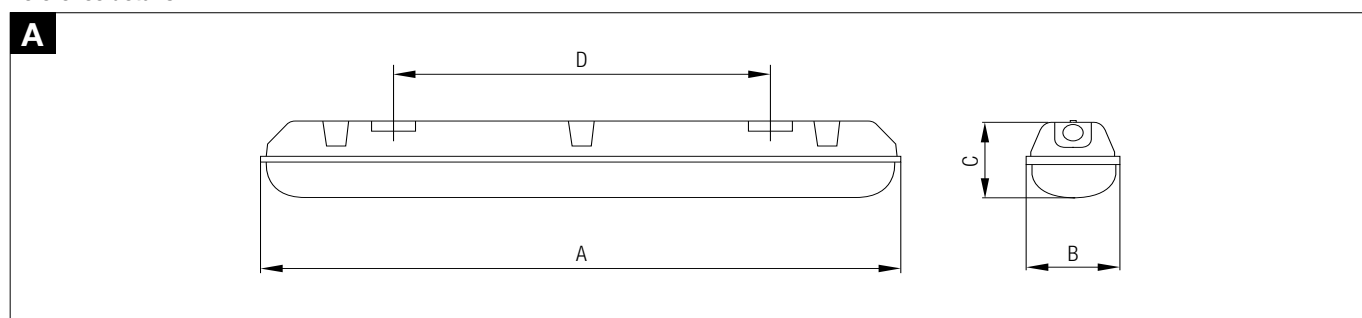
Technical data

CODE	LAMP	TEMPERATURE CLASS (GAS)	TEMPERATURE CLASS (DUSTS)	LAMPHOLDER	CABLE ENTRY WITH CABLE GLAND	EMERGENCY UNIT	AUTONOMY	DETAIL
FLUORESCENT LIGHTING FIXTURES FOR SINGLE AND TWIN LAMPS - POWER SUPPLY (110±240Vac - 50/60 Hz) - (110±240Vdc)								
EVSN118EL	1 x 18W	T6 (AT = 40°C)	T 85°C	G13	2 x M20	-	-	A
		T5 (AT = 50°C)	T100°C					
		T4 (AT = 60°C)	T135°C					
EVSN136EL	1 x 36W	T6 (AT = 40°C)	T 85°C	G13	2 x M20	-	-	A
		T5 (AT = 50°C)	T100°C					
		T4 (AT = 60°C)	T135°C					
EVSN158EL	1 x 58W	T5 (AT = 60°C)	T100°C	G13	2 x M20	-	-	A
EVSN218EL	2 x 18W	T6 (AT = 40°C)	T 85°C	G13	2 x M20	-	-	A
		T5 (AT = 50°C)	T100°C					
		T4 (AT = 60°C)	T135°C					
EVSN236EL	2 x 36W	T6 (AT = 40°C)	T 85°C	G13	2 x M20	-	-	A
		T5 (AT = 50°C)	T100°C					
		T4 (AT = 60°C)	T135°C					
EVSN258EL	2 x 58W	T5 (AT = 60°C)	T100°C	G13	2 x M20	-	-	A
EMERGENCY FLUORESCENT LIGHTING FIXTURES FOR SINGLE AND TWIN LAMPS - POWER SUPPLY (inverter) 220±240V - 50/60Hz								
EVSNE118EL	1 x 18W	T6 (AT = 40°C)	T 85°C	G13	2 x M20	4,8V - 4Ah	120 min.	A
		T5 (AT = 50°C)	T100°C					
		T4 (AT = 60°C)	T135°C					
EVSNE136EL	1 x 36W	T6 (AT = 40°C)	T 85°C	G13	2 x M20	4,8V - 4Ah	120 min.	A
		T5 (AT = 50°C)	T100°C					
		T4 (AT = 60°C)	T135°C					
EVSNE158EL	1 x 58W	T5 (AT = 60°C)	T100°C	G13	2 x M20	4,8V - 4Ah	120 min.	A
EVSNE218EL	2 x 18W	T6 (AT = 40°C)	T 85°C	G13	2 x M20	4,8V - 4Ah	120 min.	A
		T5 (AT = 50°C)	T100°C					
		T4 (AT = 60°C)	T135°C					
EVSNE236EL	2 x 36W	T6 (AT = 40°C)	T 85°C	G13	2 x M20	4,8V - 4Ah	120 min.	A
		T5 (AT = 50°C)	T100°C					
		T4 (AT = 60°C)	T135°C					
EVSNE258EL	2 x 58W	T5 (AT = 60°C)	T100°C	G13	2 x M20	4,8V - 4Ah	120 min.	A

Technical features

CODE	A [mm]	B [mm]	C [mm]	D [mm]	WIGHT [Kg]	CABLE ENTRY	DETAIL
EVSN118EL	665	97	99	390	1,42	2 x M20	A
EVSN136EL	1282	97	99	800	2,15	2 x M20	A
EVSN158EL	1578	97	99	1100	2,94	2 x M20	A
EVSN218EL	665	140	99	390	2,52	2 x M20	A
EVSN236EL	1282	140	99	800	2,72	2 x M20	A
EVSN258EL	1578	140	99	1100	3,93	2 x M20	A

Reference details





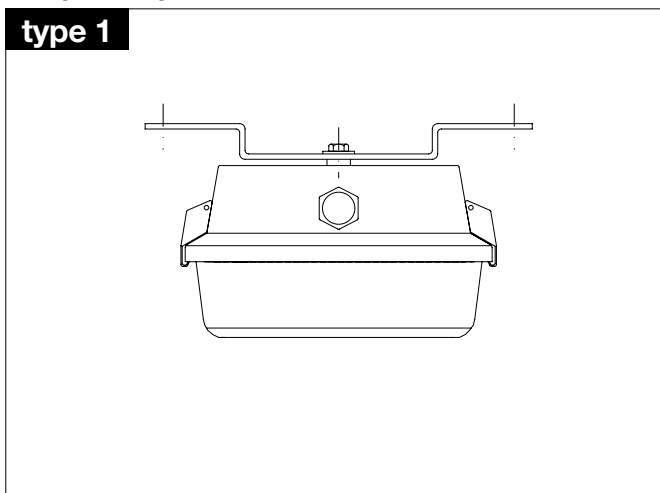
Reference details

CODE	A [mm]	B [mm]	C [mm]	D [mm]	WIGHT [Kg]	CABLE ENTRY	DETAIL
EVSNE118EL	665	97	99	390	2,67	2 x M20	A
EVSNE136EL	1282	97	99	800	3,40	2 x M20	A
EVSNE158EL	1578	97	99	1100	4,64	2 x M20	A
EVSNE218EL	665	140	99	390	3,77	2 x M20	A
EVSNE236EL	1282	140	99	800	3,97	2 x M20	A
EVSNE258EL	1578	140	99	1100	6,18	2 x M20	A

EVSN Installation and mounting details

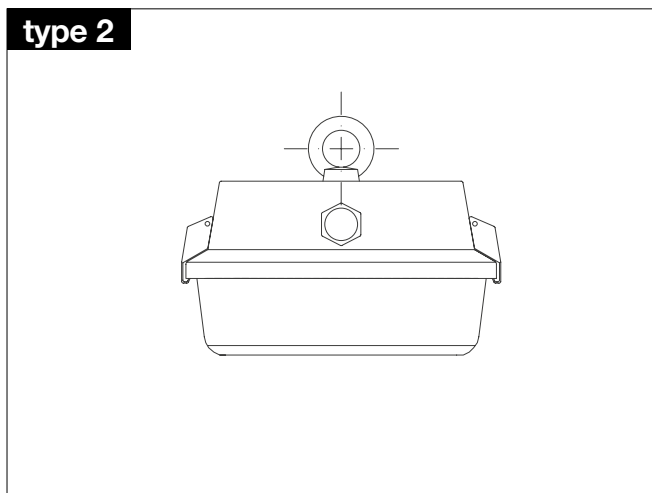
Ceiling mounting

type 1



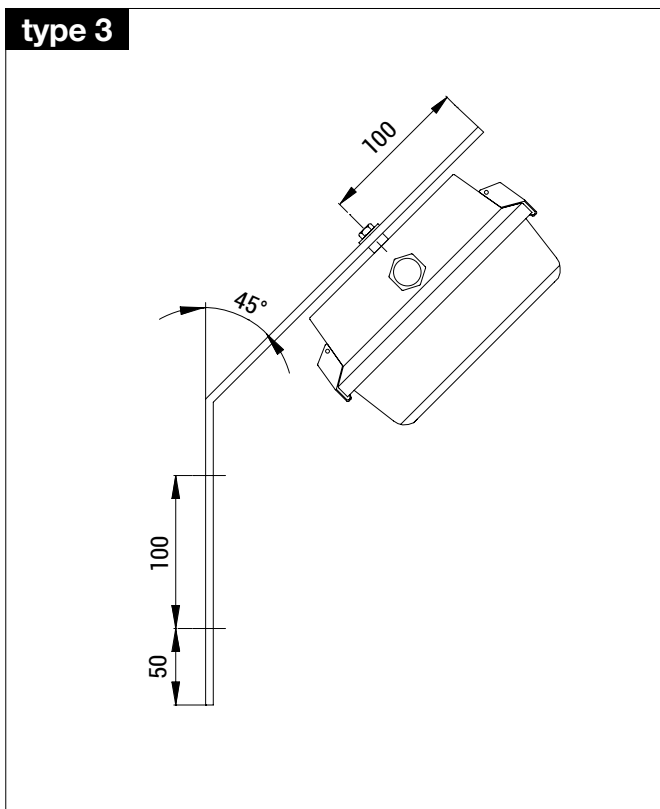
Pendant mounting

type 2



Wall/structure mounting

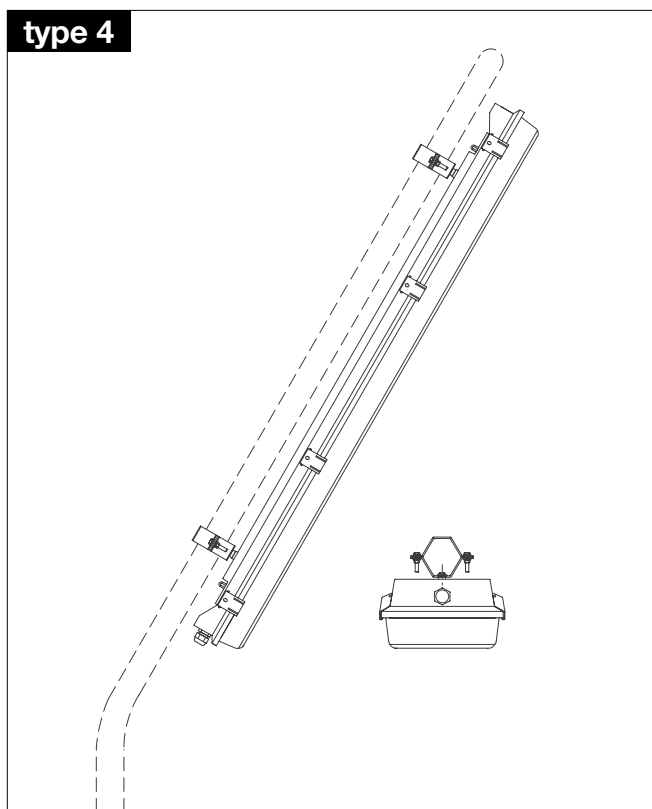
type 3



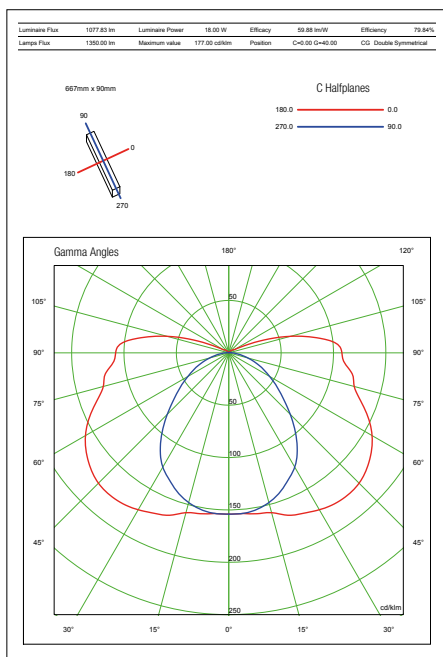
Pole mounting

Assemblig detail with pole (typical)

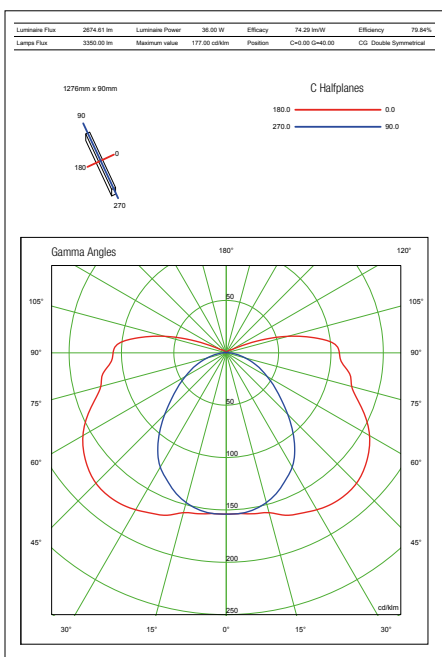
type 4



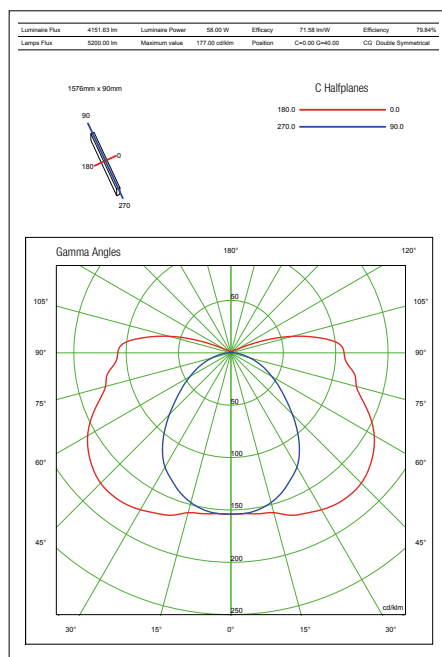
EVSN118EL



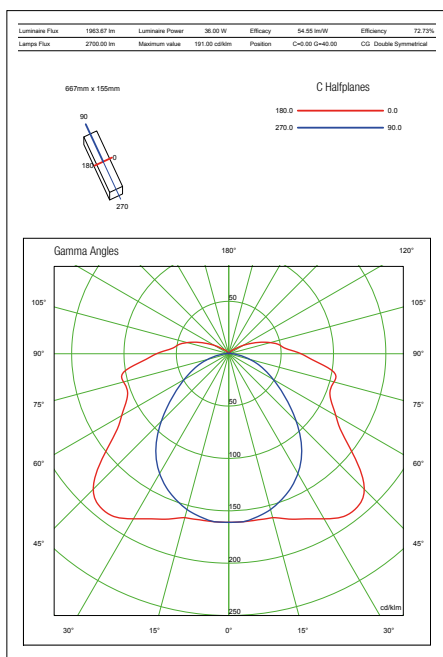
EVSN136EL



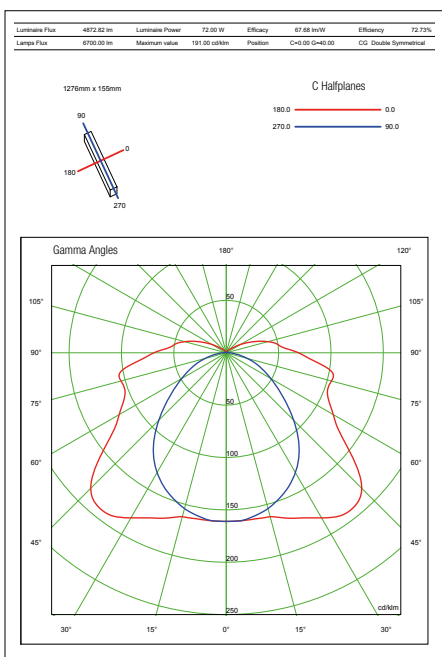
EVSN158EL



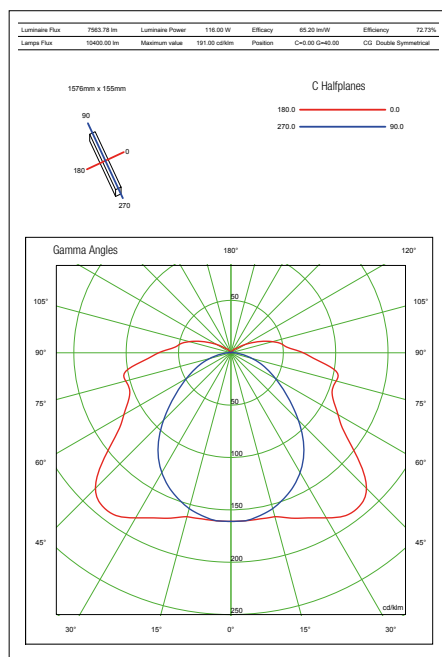
EVSN218EL



EVSN236EL



EVSN258EL



On request accessories

CODE	DESCRIPTION	INSTALLATION	MATERIAL
20303.0121	CEILING MOUNTING KIT C/W HARDWARE	TYPE 1	STAINLESS STEEL
20303.0126	PENDANT MOUNTING KIT C/W HARDWARE AND EYE-BOLTS	TYPE 2	STAINLESS STEEL
20303.0131	WALL/STRUCTURE MOUNTING KIT C/W HARDWARE	TYPE 3	GALVANIZED STEEL
20302.0145	POLE MOUNTING KIT (SIZE 1 1/2" DIA.) C/W HARDWARE	TYPE 4	STAINLESS STEEL
20302.0146	POLE MOUNTING KIT (SIZE 2" DIA.) C/W HARDWARE	TYPE 4	STAINLESS STEEL
20302.0125	POLE MOUNTING KIT (SIZE 1" DIA.) C/W HARDWARE	TYPE 4	STAINLESS STEEL

REMARK:

Due to the development of the national and international specifications and of the technology, the above technical characteristics showed on this bulletin can be considered as binding on our confirmation only.