

MODEX controller module for more up-to-date switching convenience in a potentially explosive atmosphere. The standard two-position controller monitors limit values (limit monitor). The analog input signal is compared with the potentiometer setpoint. A floating relay changeover contact is provided as output. The two-point controller is available with optional overcurrent/undercurrent detection, current output and signalling relay. The current output enables you to loop further devices (input current mirror) up to a total load of 400 Ω into the power circuit (4 to 20 mA).

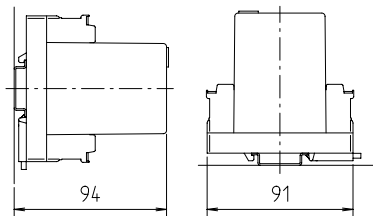
### Explosion protection

Marking ATEX	 
Certification	PTB 97 ATEX 1068 U
Marking IECEx	Ex db e IIC oder Ex d e IIC Gb Ex db e I oder Ex d e I Mb
Certification	IECEx PTB 11.0083U
Marking CSA	Class I, Zone 1, IIC A/Ex d e [ia] IIC Gb
Certification	CSA 2011-2484303U
Other approvals and certificates, see <a href="http://www.bartec.de">www.bartec.de</a>	

### Technical data

Enclosure material	High-quality thermoplastic	
Protection class	Module	IP 66 EN/IEC 60529
	Terminals	IP 20 EN/IEC 60529
Terminals	2.5 mm <sup>2</sup> , fine stranded	
Mounting rail	TH 35 x 7.5 (15) EN/IEC 60715	
Terminal designation	written marking labels	
Ambient temperature	mounted on rail with spacing ≥ 16 mm: -20 °C to +40 °C	
Storage temperature	-40 °C to +60 °C	
Weight	0.500 kg	

### Dimensions/mounting positions

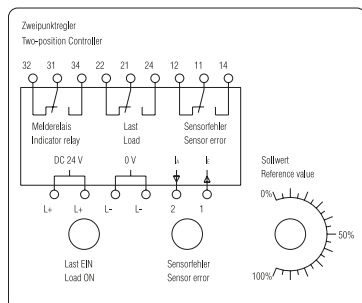


Module width: 75 mm

### Electrical data

Supply voltage	DC 24 V + 15 %
Rated output	max. 2.5 W
Input signal	0 to 35 mA ≤ 3.5 mA - undercurrent ≥ 25 mA - overcurrent 4 to 20 mA ± 0 to 100 % Load: 200 Ω
Hysteresis	2 mA
Repeat accuracy	± 0.5 % of under range limit (20 mA)
Ambient temperature	Influence: ≤ 0.008 %/K
Outputs	Relay output: Load: AC 250 V, 3 A, 750 VA  Optional Signal relay: AC 250 V, 1 A, 250 VA Sensor fault relay: AC 250 V, 1 A, 250 VA Current output: 4 to 20 mA Load: 400 Ω

### Wiring diagram/terminal assignment



### Ordering information

Standard	<b>07-7311-97ER/3100</b>
With short circuit/open circuit detection of current output and signal relay	<b>07-7311-97ER/3150</b>

Technical data subject to change without notice.