

This relay is used as an isolator between non-intrinsically safe and intrinsically safe circuits. Various coil and contact configurations are available. Several intrinsically safe circuits can be connected to the contact circuits, provided that intrinsic safety is maintained. Safe galvanic isolation in conformance to EN/IEC 60079-11 up to 375 V is provided between the coil and contacts.

### Explosion protection

Marking ATEX	⊕ II 2(1)G Ex de [ia Ga] IIC Ga
Certification	PTB 97 ATEX 1068 U PTB 03 ATEX 2169 X
Marking IECEx	Ex db e IIC or Ex d e [ia Ga] IIC Ga Ex db e I or Ex d e [ia Ma] I Mb
Certification	IECEx PTB 13.0016X
Marking CSA	Class I, Zone 1, IIC A/Ex d e [ia] IIC Ga
Certification	CSA 2011-2484303U
Other approvals and certificates, see <a href="http://www.bartec.de">www.bartec.de</a>	

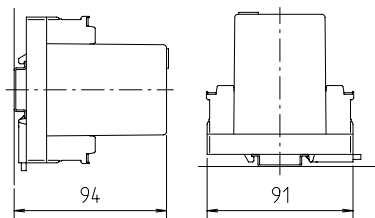
### Technical data

Enclosure material	High-quality thermoplastic
Protection class	Module IP 66 EN/IEC 60529 Terminals IP 20 EN/IEC 60529
Terminals	2.5 mm <sup>2</sup> , fine stranded
Mounting rail	TH 35 x 7.5 (15) EN/IEC 60715
Terminal designation	written marking label
Ambient temperature	-25 °C to +55 °C (DC 12 V/24 V) at T6 and 15 mm distance
Storage temperature	-40 °C to +70 °C
Weight	0.250 kg

### Electrical data

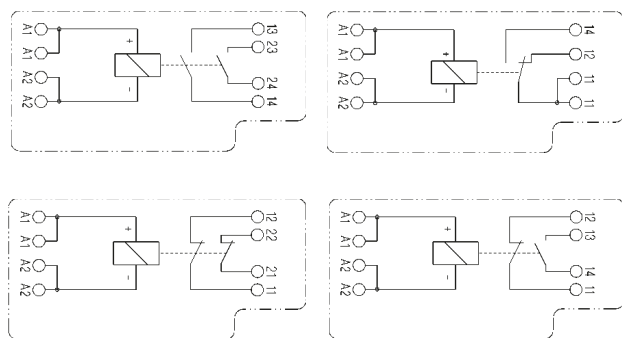
Coil data	DC 12 V; 60 mA (9 to 14 V) DC 24 V; 30 mA (18 to 28 V) DC 48 V; 15 mA (36 to 56 V)
Contact data (non-intrinsically safe)	
Single-pole contact	Contact material AgCuNi
Max. switching voltage	AC 250 V
Max. switching current	4 A
Max. switching capacity (AC)	100 VA/cos $\phi$ = 1
Max. switching capacity (at switching voltage up to DC 24 V)	96 W/ohmic load
Contact data (intrinsically safe)	
Double contact	Contact material AgCuNi, hard gold plated
Max. switching voltage	AC 46 V DC 65 V
Max. switching current	2 A
Max. switching capacity (AC)	92 VA/cos $\phi$ = 1
Max. switching capacity	48 W/ohmic load
Test voltages	Coil-contact 5000 V <sub>rms</sub> Contact assembly-contact assembly 2500 V <sub>rms</sub> Contact open 1000 V <sub>rms</sub>
Mechanical life	> 50 x 10 <sup>6</sup> switching cycles
Electrical life	3 x 10 <sup>5</sup> switching cycles (single-pole contact, AC 250 V; 4 A; cos $\phi$ = 1; 360 switching cycles/h)

**Dimensions/mounting positions**



Module width: 30 mm

**Wiring diagram/terminal assignment**



**Ordering information**

Contacts (non-intrinsically safe)	Code no.	Coil voltage (intrinsically safe)	Code no.
1 changeover	<b>1</b>	DC 12 V	<b>V5</b>
2 NO	<b>4</b>	DC 24 V	<b>W5</b>
2 NC	<b>6</b>	DC 48 V	<b>X5</b>
1 NO/1 NC	<b>7</b>		
(intrinsically safe)		(non-intrinsically safe)	
1 changeover	<b>E</b>	DC 12 V	<b>N6</b>
1 NO/1 NC	<b>F</b>	DC 24 V	<b>Q6</b>
2 NO	<b>G</b>	DC 48 V	<b>R6</b>
2 NC	<b>H</b>		

Complete order no. 07-7311-937  /   00

Please enter correct code. Technical data subject to change without notice.

1