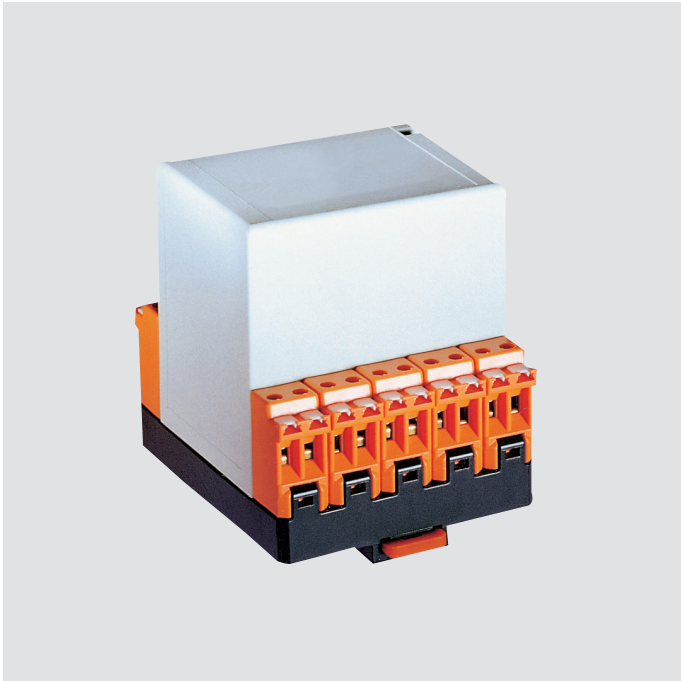


# Cradle relay DC



Cradle relay for direct voltage, neutral, monostable. High-quality cradle relays for DC are installed as encapsulated flameproof elements in the MODEX enclosure. The IP 66 protection class ensures that the contacts are also protected from aggressive atmospheres.

Applications:  
switching of measuring and control circuits in industrial areas.

## Explosion protection

|               |  |
|---------------|--|
| Marking ATEX  | Ex II 2G Ex db e IIC Gb<br>Ex I M2 Ex db e I Mb              |
| Certification | PTB 97 ATEX 1068 U   |
| Marking IECEX | Ex db e IIC oder Ex d e IIC Gb<br>Ex db e I oder Ex d e I Mb |
| Certification | IECEX PTB 11.0083U   |
| Marking CSA   | Class I, Zone 1, IIC<br>A/Ex d e IIC Gb                      |
| Certification | CSA 2011-2484303   |

Other approvals and certificates, [www.bartec.com](http://www.bartec.com)

## Technical data

|                      |                                     |       |              |
|----------------------|-------------------------------------|-------|--------------|
| Enclosure material   | High-quality thermoplastics         |       |              |
| Protection class     | Module                              | IP 66 | EN/IEC 60529 |
|                      | Terminals                           | IP 20 | EN/IEC 60529 |
| Terminals            | 2,5 mm <sup>2</sup> , fine stranded |       |              |
| Mounting rail        | TH 35 x 7,5 (15) EN/IEC 60715       |       |              |
| Terminal designation | written marking labels              |       |              |
| Ambient temperature  | -25 °C to +55 °C at T6              |       |              |
| Storage temperature  | -40 °C to +70 °C                    |       |              |
| Weight               | 0,500 kg                            |       |              |

## Electrical data

|                               |  |
|-------------------------------|--|
| Operating data (coil circuit) |  |
| <b>U<sub>N</sub></b>          | <b>I<sub>N</sub> (8 contact decks)</b>   |
| DC 24 V                       | 27 mA  |
| Contact data                  | Switching voltage: U <sub>A max.</sub> = AC/DC 125 V<br>Switching current: I <sub>max.</sub> = 1 A (pro Kontakt) |
| Switching capacity            | P <sub>max.</sub> = 40 W/50 VA   |
| Contact material              | silver, gold-flashed   |
| Contact arrangement           | 4 changeovers; 8 NO; 4 NO/4 NC   |

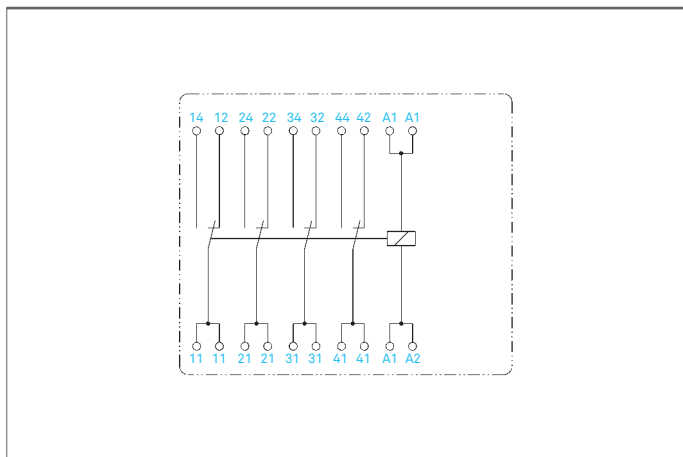
### Note

For use with inductive loads the relays can be connected with an effective suppressor in order to protect the contacts.

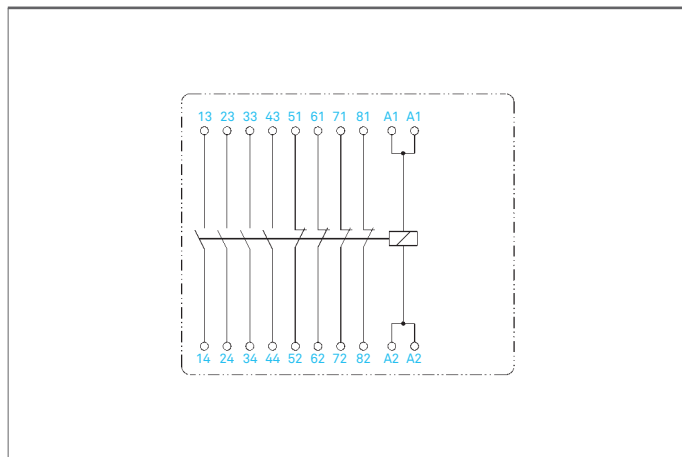
|                          |   |
|--------------------------|---|
| <b>Other datas</b>       | <b>DC types</b>   |
| Max. switching frequency | 50 (switching cycles/sec.)  |
| Mech. service life       | approx. 10 <sup>8</sup> (switching cycles)  |
| Test voltage             | 500 coil/contact (V <sub>eff.</sub> )<br>500 contact/contact (V <sub>eff.</sub> ) |

### Wiring diagrams/terminal assignments

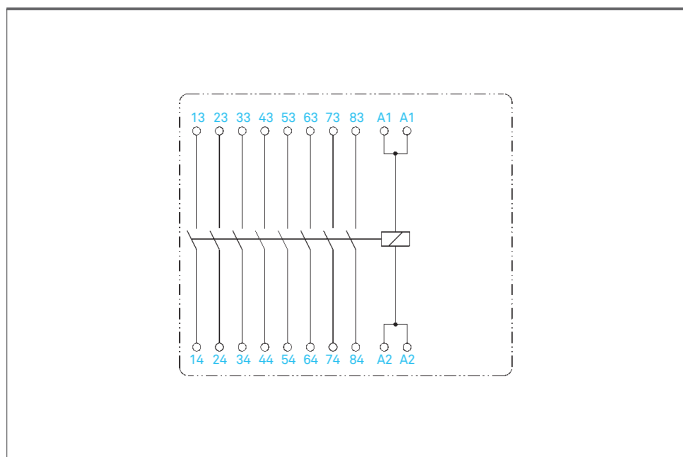
4 changeovers



4 NO/4 NC

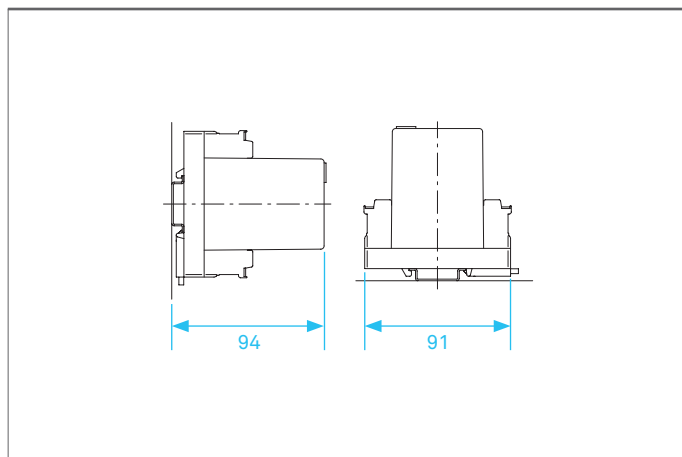


8 NO



### Dimensions/mounting positions

Module width: 75 mm



### Ordering information

0 7 - 7 3 1 1 - 9 7 7 \* / \* 1 0 0  
 A B

A Contacts  
 4 – 4 changeovers  
 C – 8 NO  
 H – 4 NO/4 NC

B Voltage  
 3 – DC 24 V

Please enter code number. Technical data subject to change without notice.