



SFD LED - SFDE LED

Floodlights for LED lamps

Installation: hazardous areas - Zone 1 / 2 (Gases) - Zone 21 / 22 (Dusts)

Classification: Group II - Category 2G 2D



REFERENCE STANDARDS

Directive 94/9/EC (until April 19th, 2016) - Directive 2014/34/EU (from April 20th, 2016)

EXECUTION	<ul style="list-style-type: none"> ⊗ II 2 G Ex d IIB + H2 T6...T4 or ⊗ II 2 G Ex de IIB + H2 T6...T4 ⊗ II 2 D Ex tb IIIC T85°C...T135°C
RULES OF COMPLIANCE	EN/IEC 60079-0; EN/IEC 60079-1; EN/IEC 60079-7; EN/IEC 60079-31
EC Type-Examination Certificate	INERIS 01 ATEX 0018
PROTECTION DEGREE	IP66
AMBIENT TEMPERATURE	-20°C ÷ +60°C
OTHER AVAILABLE CERTIFICATES	IECEX: IECEX INE 15.0003X
	INMETRO: CEPTEL 15.2363X
	EAC: TC RU C-IT.ГБ08.В.01342 (-60°C÷+60°C)
	RINA: ELE1811CS_014
	RUSSIAN MARINE CERTIFICATE (RMRS): 13.03516.315

Mechanical characteristics

Body	marine grade copper free aluminium
Diffuser	tempered front glass
Support	adjustable type hot dip galvanized steel
Painting	external epoxy powders grey ral-9006 colour
Screws	external stainless steel
Gaskets	silicon rubber
Cable entry	ISO-M20 / 3/4" NPT

Electrical characteristics

Power supply	90÷305Vac electronic driver 50 Hz (277V according to the certificate)
Lamp type	Power LED (700 mA) - LED type "cold white"
Internal wiring	high-temperature resistant silicon rubber insulation cables
Terminals	suitable up to 4 sq/mm cables

On Request Accessories:

- External painting colour on request
- Threaded cable entry different than standard

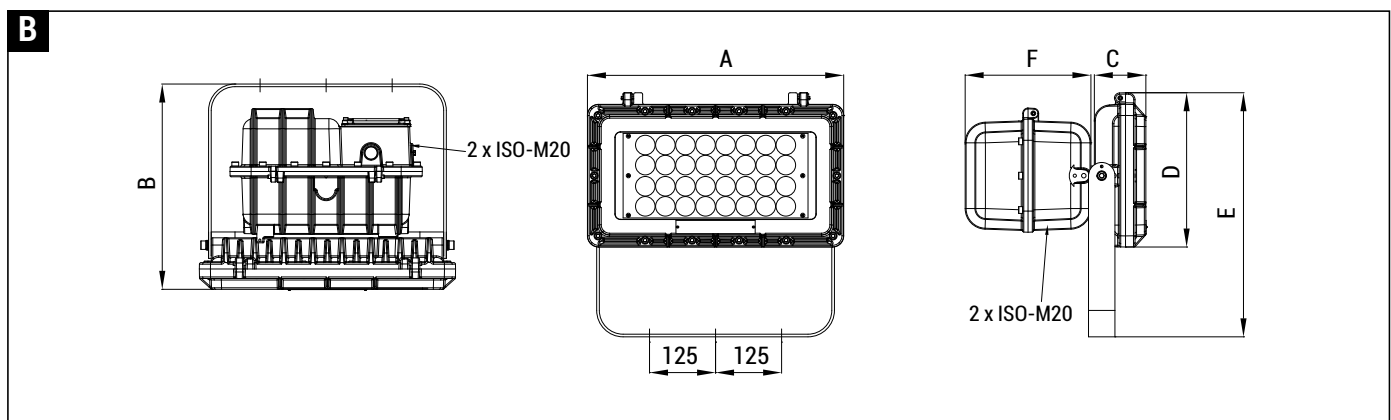
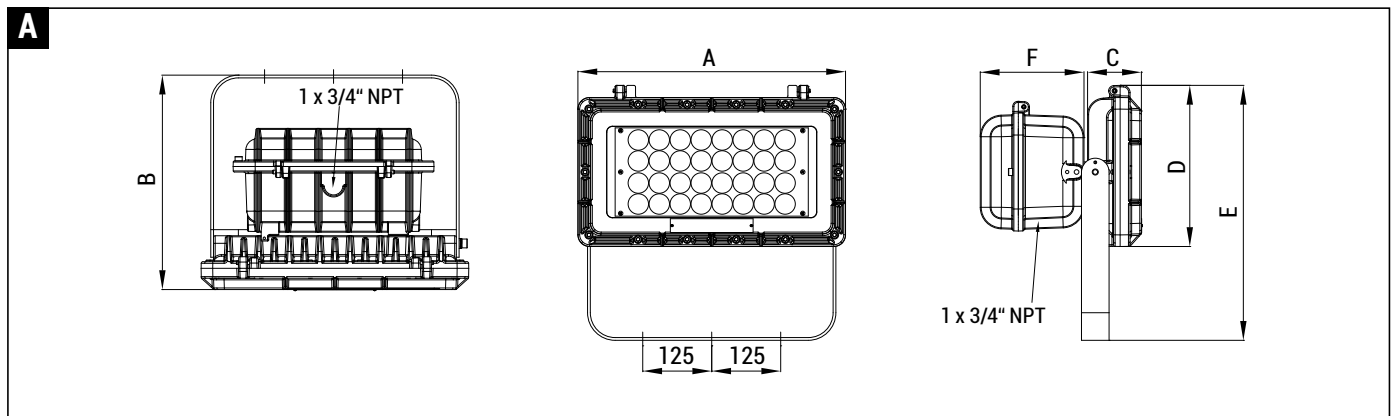
**SFD LED - SFDE LED** Technical data

CODE	POWER LAMP	TEMPERATURE CLASS (GAS)	TEMPERATURE CLASS (DUSTS)	LAMP TYPE	CABLE ENTRY SIZE	DETAIL
FLOODLIGHTS FOR LED LAMP - POWER SUPPLY 230V 50Hz						
SFD160-LED	160 W	T6 (Ta = -20°C / +40°C)	T 85°C T 100°C T 135°C	POWER LED	1 x 3/4" NPT	A
SFDE160-LED		T5 (Ta = -20°C / +50°C) T4 (Ta = -20°C / +60°C)			2 x ISO-M20	B
SFD192-LED	192W	T4 (Ta = -20°C / +60°C)	T135°C		1 x 3/4" NPT	A
SFDE192-LED					2 x ISO-M20	B
SFD224-LED	224 W	T6 (Ta = -20°C / +40°C)	T 85°C T 100°C T 135°C		1 x 3/4" NPT	A
SFDE224-LED		T5 (Ta = -20°C / +50°C) T4 (Ta = -20°C / +60°C)			2 x ISO-M20	B

SFD LED - SFDE LED Technical features

CODE	A [mm]	B [mm]	C [mm]	D [mm]	E [mm]	F [mm]	WEIGHT [Kg]	CABLE ENTRY	DETAIL
SFD160-LED SFD192-LED SFD224-LED	485	390	100	292	462	190	25,00	1 x 3/4" NPT	A
SFDE160-LED SFDE192-LED SFDE224-LED	485	390	100	292	462	240	26,00	2 x ISO-M20	B

Reference details



REMARK:

Due to the development of the national and international specifications and of the technology, the above technical characteristics showed on this bulletin can be considered as binding on our confirmation only.