



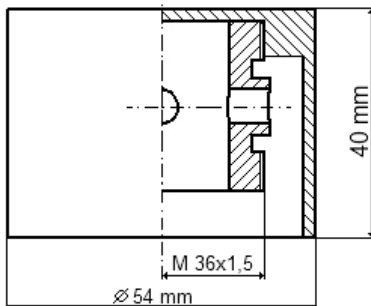
Description

The rain-/dust protection cap for the controller APEX protects the pressure outlet device exit against rain or dust deposits.

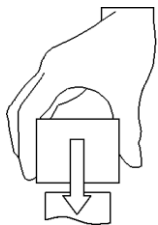
As optional accessories rain-/dust protection cap can be used for controller APEX with an internal orifice by up to 15 mm.

For the assembly the rain-/dust protection cap is screwed the integrated M 36 thread into the pressure outlet device exit.

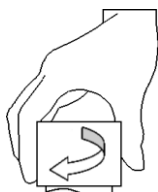
Dimensions:



Mounting:



- Step:**
Put Cap on



- Step:**
Screw Cap on

05-0032-7B0001-07/11-STVT

Technical data

Dimensions

Ø 54 mm x 40 mm
(Ø 2.13 inch x 1.57 inch)

Material

PVC, black

Temperature range

-20 °C bis +60 °C
(-4 °F bis +140 °F)

Weight

48 g

Mounting

screwed into pressure outlet device

Use

for controller APEX with an internal orifice by up to 15 mm