

# EU-TYPE EXAMINATION CERTIFICATE

- [2] EQUIPMENT OR PROTECTIVE SYSTEM INTENDED FOR USE IN POTENTIALLY EXPLOSIVE ATMOSPHERES DIRECTIVE 2014/34/EU
- [3] EU-Type Examination Certificate Number: **Presafe 17 ATEX 11333X** **Issue 2**
- [4] Product: **Wireless Radio Enclosure**
- [5] Manufacturer: **BARTEC GmbH**
- [6] Address: **Max-Eyth-Straße 16  
97980 Bad Mergentheim  
Germany**
- [7] This product and any acceptable variation thereto is specified in the schedule to this certificate and the documents therein referred to.
- [8] DNV GL Presafe AS, notified body number 2460, in accordance with Article 17 of Directive 2014/34/EU of the European Parliament and of the Council, dated 26 February 2014, certifies that this product has been found to comply with the Essential Health and Safety Requirements relating to the design and construction of products intended for use in potentially explosive atmospheres given in Annex II to the Directive.
- The examination and test results are recorded in confidential reports listed in section 16.
- [9] Compliance with the Essential Health and Safety Requirements has been assured by compliance with:  
**EN 60079-0:2012/A11:2013, EN 60079-1:2014 and EN 60079-7:2015.**
- [10] If the sign "X" is placed after the certificate number, it indicates that the product is subject to the Specific Conditions of Use specified in the schedule to this certificate.
- [11] This EU - TYPE EXAMINATION CERTIFICATE relates only to the design and construction of the specified product. Further requirements of the Directive apply to the manufacturing process and supply of this product. These are not covered by this certificate.
- [12] The marking of the product shall include the following:

 **II 2 G** **Ex db eb IIC T6 Gb, T<sub>amb</sub> see [15] below**



Date of issue:  
2020-04-20



Asle Kaastad  
For DNV GL Presafe AS  
The Certificate has been digitally signed.  
See [www.dnvgl.com/digitalsignatures](http://www.dnvgl.com/digitalsignatures) for info

[13]

**Schedule**

[14] **EU-Type Examination Certificate No:**

Presafe 17 ATEX 11333X

Issue 2

[15] **Description of Product**

Wireless Router is protected with type of protection “flameproof enclosure” and “increased safety”. It is intended for fixed installation.

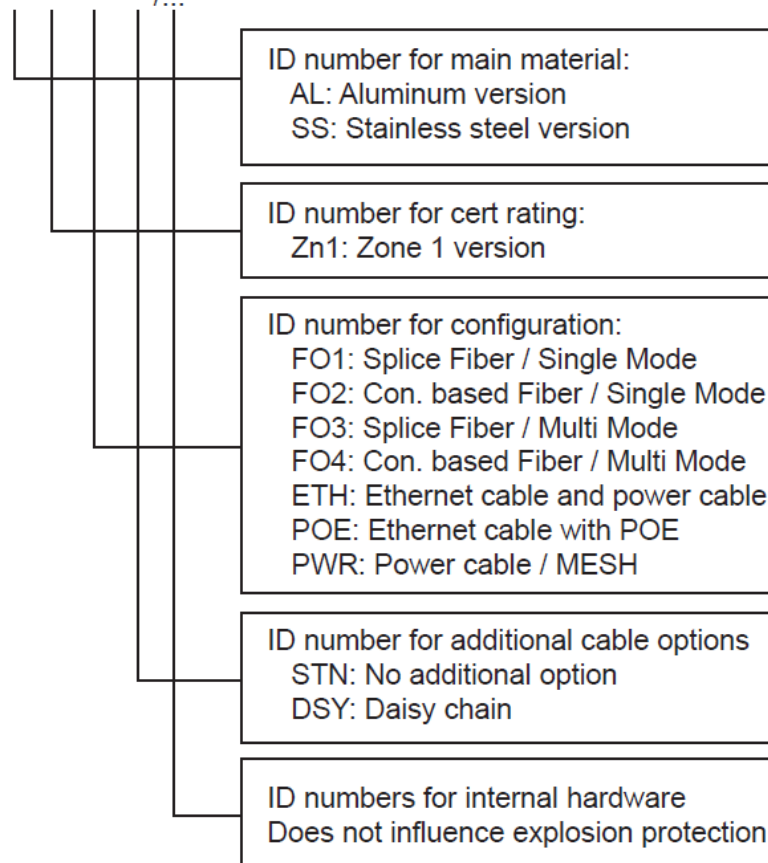
Ex d compartment is made from metallic “bottom chassis”, non-metallic “dome” and metallic “top ring” fixed together by special fasteners and cemented. Ex e enclosure is made from “bottom chassis” and “cover” with O-ring fixed by fasteners on the top.

Electronic components are located in Ex d compartment while the connection terminal for field wiring is located in Ex e compartment which is provided with three threaded holes for cable entry.

**Type designation** Wireles radio enclosure

Applicable models:

BPX-WX-\*\*-\*\*\*-\*\*\*-\*\*\*/...



**Electrical data:**

Voltage: 85-264 VAC (47-63) Hz, 120-370 VDC

Current: max. 10 A

**Ambient temperature:**

-20°C to +60°C for equipment with chassis made from aluminum  
 -20°C to +56°C for equipment with chassis made from stainless steel

**Degrees of protection (IP Code)**

IP65

**Routine tests:**

Each enclosure has to be submitted to routine overpressure test (11.1 bar acc. Cl. 16 of EN 60079-1:2014).

[16] **Project No.:** PRJN-173078-2019-PA-NOR  
**Report No.:** SC173078/02

[17] **Specific Conditions of Use**

"X" - The instruction indicates all the necessary information to ensure the installation and use minimize the risk from electrostatic discharge.  
 "X" - Equipment must only be placed in areas with low risk of mechanical danger (ref clause 26.4.2 in EN 60079-0).

[18] **Essential Health and Safety Requirements**

Essential Health and Safety Requirements (EHSRs) are covered by the standards listed at item 9

[19] **Drawings and documents**

Number	Title	Rev.	Date
BPXWR2	BPX_WX_ALL_exploded_BOM	11	2019-10-04
BPXWX1	BPX_WX_ALL_general assembly_11	11	2020-03-18
BPXWXM1	BPX_WX_ALL_IECEX_Atex_Marking	05	2019-09-25
BPXWXL1	BPX_WX_Main_Cover_Layup	01	2017-12-12

[20] **Certificate History**

Issue	Description	Issue date	Report no.
0	Original issue	2017-10-18	D0002991
1	Design changes, enclosure material ss, all mounting positions considered regarding the maximum service and surface temperature, list of the Ex certified items revised.	2019-10-15	D0002991
2	Minor design changes on screws&blind holes	2020-04-20	SC173078/02

END OF CERTIFICATE