

Charging station, type 6781-26

- Power supply for charging the reading-head 6727-32, 6727-33 (charging connection in the reading-head).
- For storage when read-head is not in use.
- Protection against damage and/or loss.



Technical data

Electrical data

Electrical connection	4 m connection cable, 2-wire (2 x 0.75), internally connected, with open ends; for connection to electrical system on collecting truck, should not be switched off via ignition switch, secure with 1 A fuse
Auxiliary energy	DC 24 V \pm 20 %, max. 100 mA
Charging time of battery (discharged)	Approx. 20 h

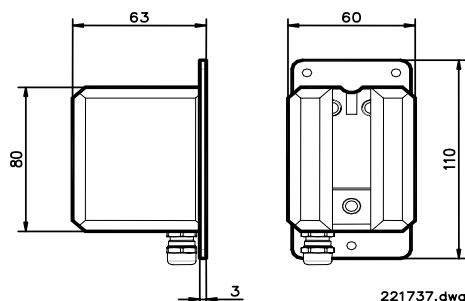
Ambient conditions

Operating temperature	- 20 ... + 60 °C
Protective type	IP10

Mechanical data

Weight	6.9 N, 0.69 kg with assembly plate
Casing	Plastic
Assembly	Pre-assembled on assembly plate
Assembly site	Cab

Dimensions



Ordering details

Designation	Order no.
Charging station, type 6781-26	221 737