

Data sheet

Power supply, type 6781-11

- Power supply for direct current networks.
- For stationary mounting or for mounting in driver cabins or on the trailer of tank trucks.



Application

Type 6781-11 is a power supply device for direct current line-powered systems. It filters out interference signals and voltage peaks, bridges voltage drops and makes possible a safe supply for series connected systems.

The device is suitable for input voltages of 24 V and for output currents up to 6,3 A (temperature-influence, see diagram 1).

The power supply may be mounted in stationary equipment or inside the driver cabin or on the trailer of tank trucks. It is EMV-tested, short circuit- and open circuit proof.

Funktionen

An electronic switch-off for temperature rise and automatic switch-off in case of overvoltage guarantees a high operational safety. An input filter serves for bridging quick transients, as they are produced by switching inductive consumers. Voltage drops of the input voltage, which may arise when starting a motor or when connecting other consumers with high energy, are bridged by an additional voltage transformer.

For supporting the service, it is equipped with a diagnosis plug for the P-NET fieldbus.

- Automatic switch-off in case of overvoltage.
- Input filter for bridging quick transients.
- Service-support by diagnoses plug for the P-NET fieldbus.
- Optional bridging of short-time voltage drops.

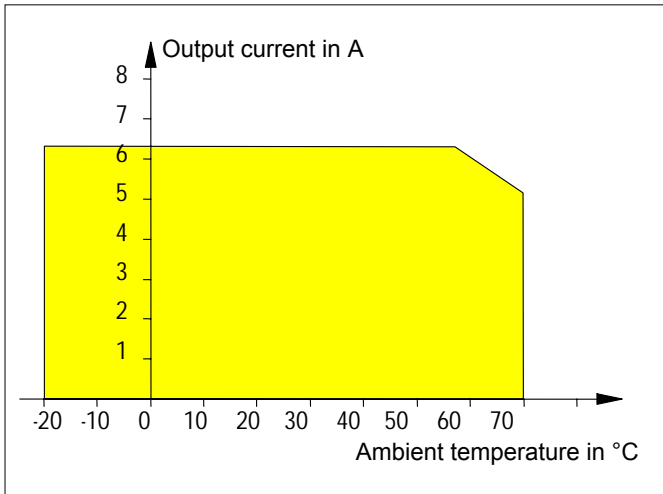


Diagram 1: Performance diagram
(Input voltage $U_{in} > 25 V$)

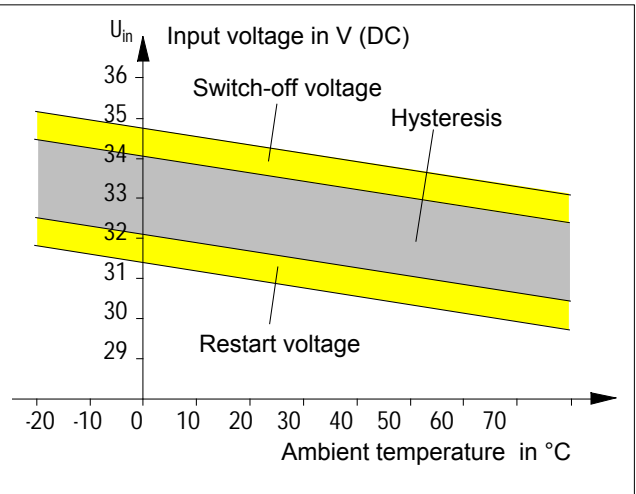
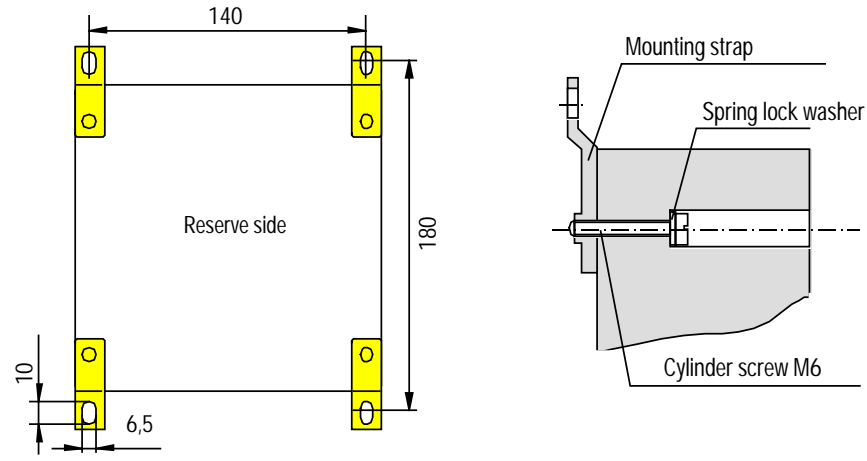


Diagram 2: Automatic switch-off for overvoltage

Mounting



Technical data

Mechanical data	
Housing	Alu-diecast
Dimensions	160 x 160 x 90 mm
Protective system	IP 65 according to DIN 40050
Holes for mounting	4 holes $\varnothing 7$ mm for M6, distance horizontal 140 mm, vertical 180 mm
Ambient conditions	
Admissible operating temperature	- 20 ... + 70 °C (Climatic class JSD according to DIN 40040)
Electrical data * with nominal conditions 22 ± 2 °C	
Connection	Cable inlet: 3 x PG 9 Line diameter: max. 1,5 mm ²
Brigding of voltage drops of the input voltage U_{in}	$U_{in} = 12 \dots 25 V \rightarrow U_{out} = 24 V \pm 5 \%^*$, Output current: max. 1,25 A $U_{in} = 25 \dots 35 V \rightarrow U_{out} = U_{in} - 1 V^*$, Output current: max. 6,3 A
Overvoltage switch-off at $U_{in} > DC 34 V^*$ (see diagram 2)	Pulse load: max. 16 A/10 ms 1 output fuse: 6,3 A Fuse for common mass feedback: 8 A

Order designations

Power supply, Typ 6781-11	Order no.	U 899 10 678111000
---------------------------	-----------	--------------------