

Data Sheet

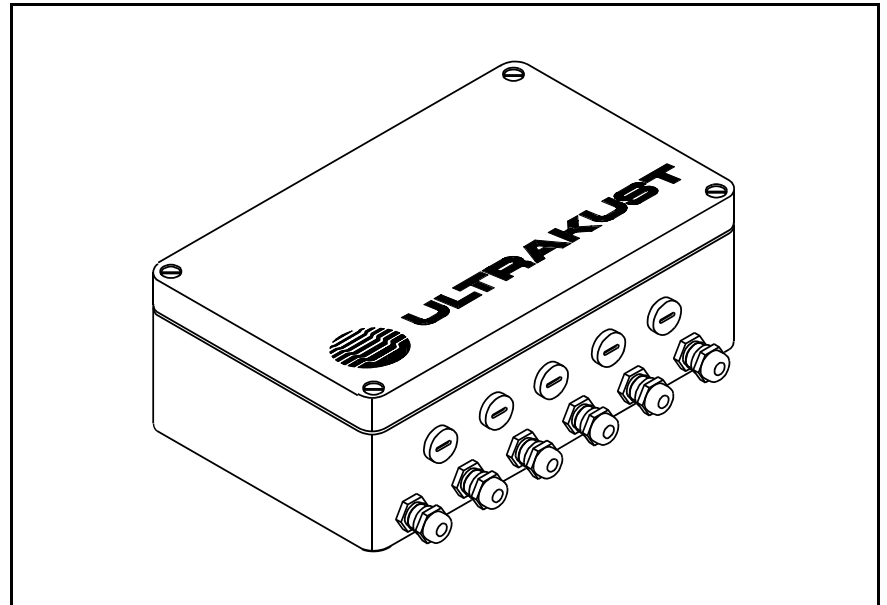
I/O-Box VARIO1 MAK Type 6753-5x

Microprocessor-controlled input / output unit, each with 8 binary in- and outputs, for connecting with the serial fieldbus P-NET.

Expandable by 8 binary in- or outputs with an input- or output expansion module.

Galvanic separation for each group of two outputs by an output relay module.

Expandable by further output relay modules for galvanic separation of up to six outputs.



Application

Use in the dairy for controlling valves, motors, for inquiring switching states, servo components etc.: e. g. for the automatic milk collection with the collecting truck.

Structure and function

The functional unit consists of the I/O-basic module 6753-101 with 8 digital in- and outputs and a P-NET-interface as well as an output-relay module type 6753-107 in a robust alu-diecast housing. The expansion modules are retrofittable. Light-emitting diodes indicate the states of the supply, the communication and the digital in- and outputs.

Technical data

Inputs

8 digital inputs, $U_{in} = 0 \dots 24 \text{ V}$
 $(U_{lim} = \text{DC } -36 \dots +36 \text{ V})$.
 signal=0: <DC +5 V,
 signal=1: >DC +14 V (green LED on),
 input resistor: 4 k Ω .

Outputs

8 semiconductor outputs FET, plus switching. Potential separation of logic and outputs via opto-coupler.
 Min. switching current: 100 μA ,
 max. current for each output on signal 1: $\leq 2 \text{ A}$ (-20 ... 35 °C), $\leq 1.5 \text{ A}$ (to +45 °C), $\leq 1 \text{ A}$ (to +60 °C),
 Total capacity: 8 A (-20 ... +60 °C). Limitation of the inductive cutoff voltage with free running diode.
 Supply voltage U_s : DC 24 V (18-36 V)
 Circuit frequency-ohmic charge: 100 Hz.

Circuit frequency-inductive charge: 2 Hz.

Max. output level on signal = 0:
 DC 2 V (without charge).

Interface

Fieldbus interface P-NET, serial, asynchronous, baudrate 76800 bit/s, length of line: max. 1200 m, P-NET-Ident-number: 5922.

Supply voltage

$U_1 = \text{DC } 24 \text{ V} / 150 \text{ mA}$ (I/O-basic module), ($U_{lim} = \text{DC } 16 \dots 36 \text{ V}$).

Electrical connection

Internal terminal screws 5-poles (P-NET and U_1), basic- and expansion modules, plugged. Connection lines up to 1.5 mm². Cable feeds with PG9.

Ambient conditions

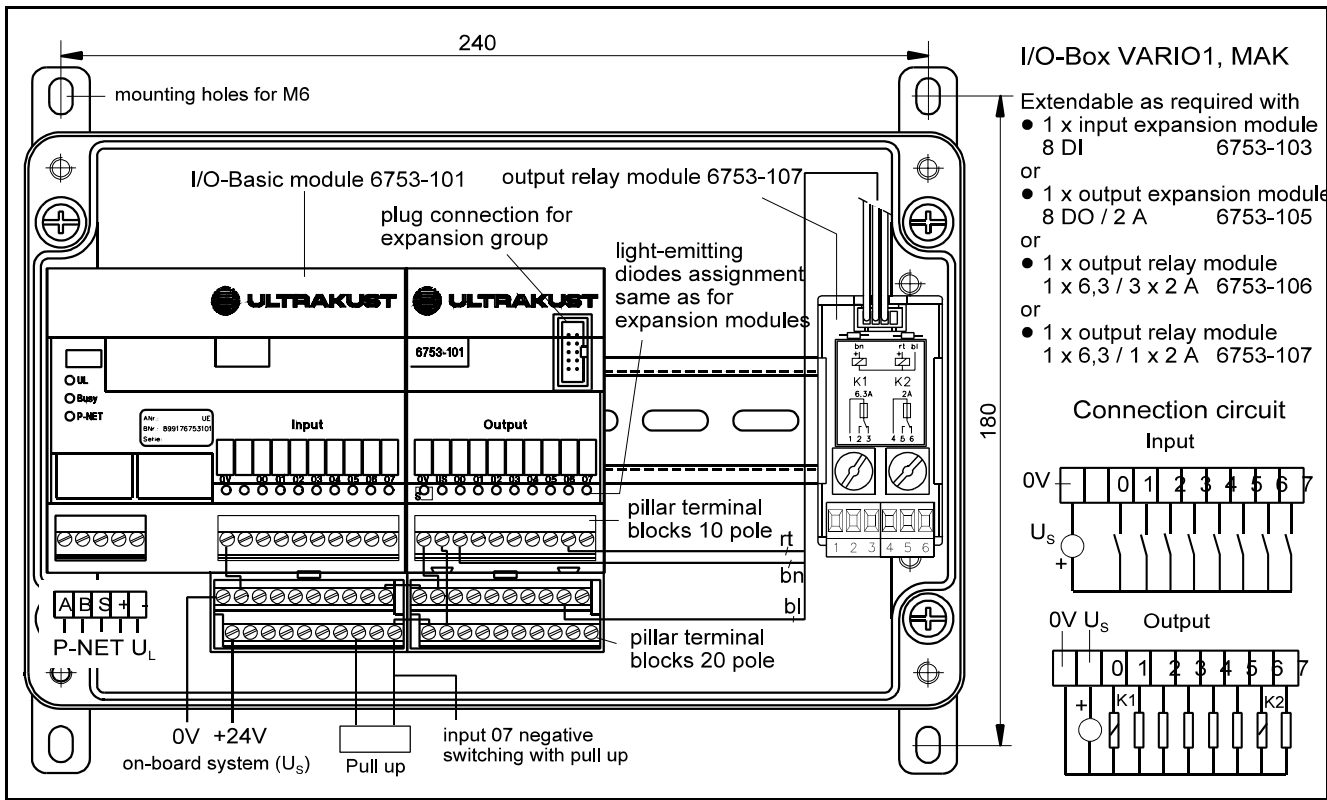
Admissible operating temperature: -20 ... 60 °C,
 Admissible storage temperature: -25 ... 80 °C,
 climatic class: IUF acc. to DIN 40040,
 protective system: IP65.

Structure / installation

Housing: dimensions / weight
 160 x 260 x 90 (mm) / 20.1 N \triangleq 2.01 kg.
Basic module: dimensions / weight
 155 x 85 x 58 (mm) / 4 N \triangleq 0.4 kg.
 4 brackets with long hole for screwing with M6-screws.

Microprocessor-controlled input / output unit for P-NET-fieldbus systems

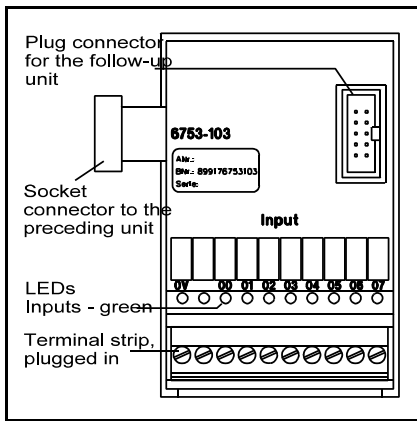
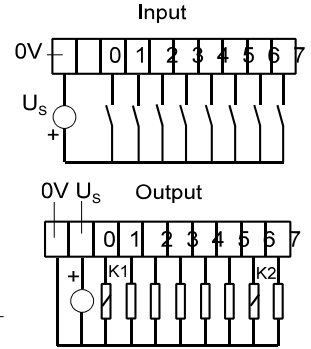
- Remote-controlled inquiry of the inputs and setting of the outputs via galvanically separated fieldbus interface P-NET
- Robust, splash proof alu-die-cast housing with protective system IP65
- Application in stationary and mobile installations
- Easy module mounting inside the housing by snapping on a mounting rail
- Freely assignable relay contacts up to 6.3 A breaking capacity



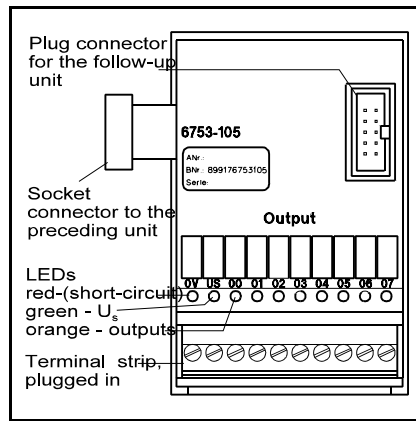
I/O-Box VARIO1, MAK

- Extendable as required with
- 1 x input expansion module 8 DI 6753-103
 - or
 - 1 x output expansion module 8 DO / 2 A 6753-105
 - or
 - 1 x output relay module 1 x 6,3 / 3 x 2 A 6753-106
 - or
 - 1 x output relay module 1 x 6,3 / 1 x 2 A 6753-107

Connection circuit



Input expansion module 8DI type 6753-103



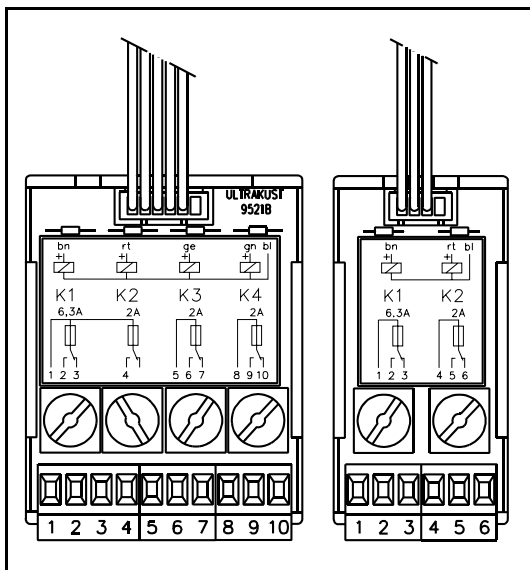
Output expansion module 8DO / 2.0 A type 6753-105

Expansion module

Dimensions: 55 x 85 x 58 mm

Input expansion module 6753-103:
Power input (logic): 0.1 W, weight: 1.2 N (\pm 0.12 kg).

Output expansion module 6753-105:
Power input (logic): 0.2 W, weight: 1.5 N (\pm 0.15 kg), max. current each output on signal 1: \leq 2 A (-20 ... 35 °C), \leq 1,5 A (up to +45 °C), \leq 1 A (up to +60 °C), total capacity: 8 A (-20 ... +60 °C).



Output relay module type 6753-106 / type 6753-107

Output relay modules

Electr. connection: bl -> 0 V power supply; bn, rd, ye, gn -> output.
Connection lines: 30 cm, Max. circuit voltage (relay): AC/DC 50 V.

Type / dimensions (W x H x D) / weight
6753-106: 55 x 74 x 65 mm / 1.5 N \pm 150 g / 1 x 6.3 A / 3 x 2 A
6753-107: 35 x 74 x 65 mm / 0.75 N \pm 75 g / 1 x 6.3 A / 1 x 2 A

Order designations	Order number
I/O-Box VARIO1 MAK, type 6753-50	
(assembled with I/O-basic module 6753-101 and output relay module 6753-107)	932 17 675350

Accessories / spare parts

I/O-basic module 6753-101	899 17 6753101
Input expansion module 6753-103	899 17 6753103
Output expansion module 6753-105	899 17 6753105
Output relay module 6753-106	899 17 6753106
Output relay module 6753-107	899 17 6753107
Pillar terminal block 5-pole	219481
Pillar terminal block 10-pole	219480
Pillar terminal block 20-pole	219496