

Desktop reader for TAG bottle, RS232, type 6727-70

- TAG reader with plastic base
- RFID system in accordance with ISO 15693 (RFID = radio frequency identification)
- The TAG transceiver, type 6727-70, touchlessly transmits data via inductive coupling from/to RFID transponder (TAG)
- The TAG reader 6727-70 is optimised for BARTEC milk sample bottles 6845-21



Description

The TAG transceiver, type 6727-70, contactlessly transmits data by means of an electromagnetic field to an RFID transponder (TAG) positioned in front of the antenna, respectively can also read data from it.

Connected to a PC, data can be read in an absolutely reliable and secure way with protocols and safety mechanisms standardised in accordance with ISO 15693, e.g. checksums.

Features

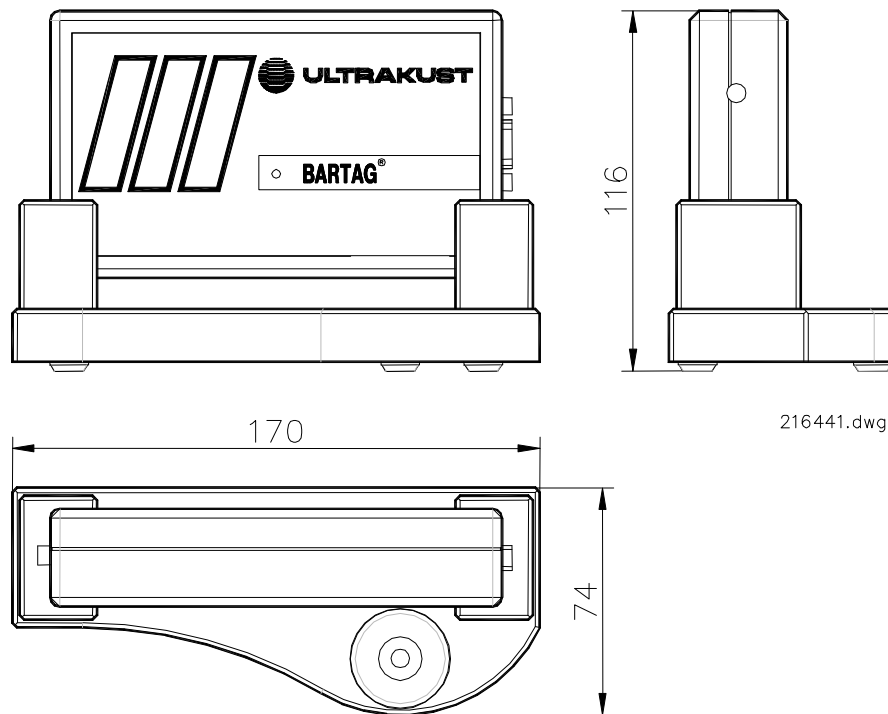
- Anticollision function
- Multi-TAG reader for ISO-15693-TAGs
- CE approval
- Easy connection to a PC via RS232 interface

Application

Can be used as laboratory or office reader to read, write or delete TAG bottles 6845-21 and ISO supplier identification TAGs.

Technical data

Device-specific data	
Operating frequency	13.56 MHz
Transmitting power	0.5 W
Supported transponders	ISO-15693 TAGs
Electrical data	
Auxiliary energy (voltage, power)	DC 12 V via wall power supply
Connection	Female connector 9-pole SUB-D
Interfaces	RS232
Further device-dependent data	
Ambient conditions	
Operating temperature	- 25 ... 60 °C
Storage temperature	- 25 ... 70 °C
Mechanical data	
Dimensions (length x width x height)	145 x 85 x 31 (without base)
Weight	0.5 kg
Casing material	Plastic
Protection type	IP 30



Ordering details

Designation	Order number
Desktop reader for TAG - bottle, RS232, type 6727-70	216441