



Junction boxes
for connection system CONPAC

Description

Junction boxes are used to connect one or more heating circuits to the power supply.

Polyester enclosures are available with the necessary cable glands and threaded cable entries.

Aluminium junction boxes are available upon request.

➤ Technical data

Protection class according to EN 60529

Cover gasket IP 65

Cable gland for power supply cables IP 67

Supply voltage

max. AC 254 V

Supply cable, cross section

2.5 mm² up to 6.0 mm²

Impact resistance

7 Nm

Material

polyester, glass-fibre reinforced

Gland size cable diameter

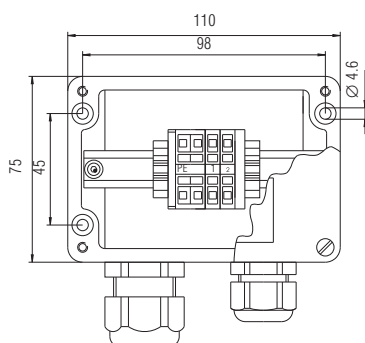
M20 Ø 6 up to 13 mm

M25 Ø 7 up to 12/17 mm

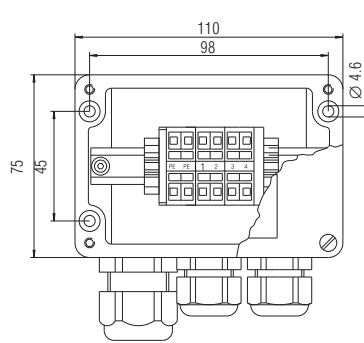
Selection chart

Used for connection system	Heating circuit junction box	Dimensions mm	Cable gland		Terminals mm ²	➤ Order no.
			for power supply	for heating circuit		
CONPAC	single	110 x 75 x 55	1 x M25 (Ø 7 up to 17 mm)	1 x M20	4 x 2.5; 4 x PE	07-5177-9021
	double	110 x 75 x 55	1 x M25 (Ø 7 up to 17 mm)	2 x M20	8 x 2.5; 4 x PE	07-5177-9022
	triple	122 x 120 x 90	1 x M25 (Ø 7 up to 17 mm)	3 x M20	12 x 6; 6 x PE	07-5177-9023

Junction box single



Junction box double



Junction box triple

