



Junction boxes
for connection system PLEXO

Description

Junction boxes are used to connect one or more heating circuits to the power supply. Polyester enclosures are available with the necessary cable glands and threaded cable entries.

Aluminium junction boxes are available upon request.

➔ **Explosion protection**

Ex protection type

II 2GD Ex e II T6/T5

Certification

PTB 08 ATEX 1064
IBExU 00 ATEX 1081

More versions are available for:
USA, Canada, Russia

➔ **Technical data**

Protection class according to EN 60529

Cover gasket IP 65

Cable gland for power supply cables IP 67

Supply voltage

max. AC 254 V

Supply cable, cross section

2.5 mm² up to 6.0 mm²

Impact resistance

7 Nm

Material

polyester, glass-fibre reinforced

Gland size cable diameter

M20 Ø 6 to 12 mm

M25 Ø 8 to 17 mm

Standard seals

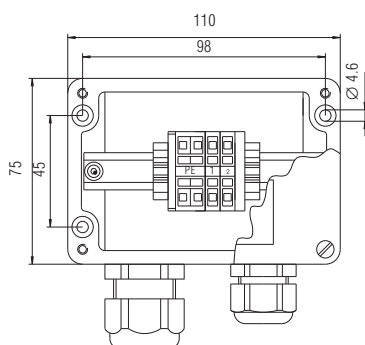
EPDM -20 °C up to +100 °C

Silikon -55 °C up to +100 °C

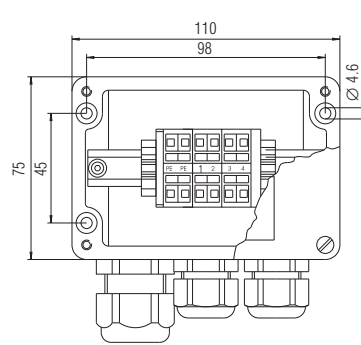
Selection chart

Used for connection system	Heating circuit junction box	Dimensions in mm	Cable gland		Terminals mm ²	➔ Order no.
			for power supply	for heating circuit		
PLEXO, Ex e	single	110 x 75 x 55	1 x M25 (Ø 8 up to 17 mm)	1 x M20	4 x 2,5; 4 x PE	07-5103-9008
	double	110 x 75 x 55	1 x M25 (Ø 8 up to 17 mm)	2 x M20	8 x 2,5; 4 x PE	07-5103-9009
	triple	122 x 120 x 90	1 x M25 (Ø 8 up to 17 mm)	3 x M20	12 x 6; 6 x PE	07-5103-9007

Junction box single



Junction box double



Junction box triple

