



Connection system CONPAC

Features

- Quick and easy installation
- Few tools needed
- Cut-to-length heating cable
- Easily dismantled
- UV resistant

Description

CONPAC HSB is the ideal connection system for high temperature self-limiting parallel circuit heating cables, Type HSB, when used in industrial applications.

With its wide variety of advantages CONPAC HSB is a true technological innovation with regards to connection systems for self-limiting heating cables.

Its extremely compact design allows CONPAC to be mounted directly on the pipe to be heated under the thermal insulation. Not only is this economical but also eliminates the risk of any damage to the heating tape where it conventionally passes through the thermal insulation and outer cladding.

The CONPAC connection system can be installed in a quick and easy way with the aid of only a few tools. Special tools such as hot air guns for heat-shrink sleeves are no longer necessary. As a rule mounting brackets or additional junction boxes are not needed. Maintenance and repair work is made considerably easier since connections and supply cables can be quickly dismantled.

➔ Technical data

Protection class

IP 68 (according to EN 60529)

Certification

VDE license no. 128264 (heating cable)

Rated voltage

AC 230 V

Rated current

16 A

Supply cable, cross section

max. 3 x 2.5 mm²

Supply cable

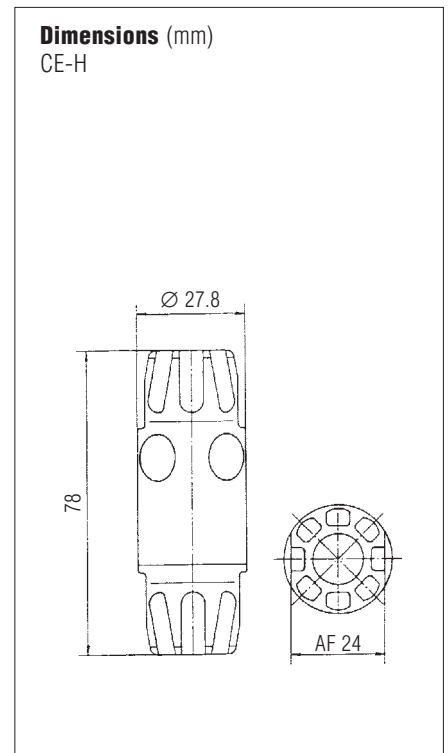
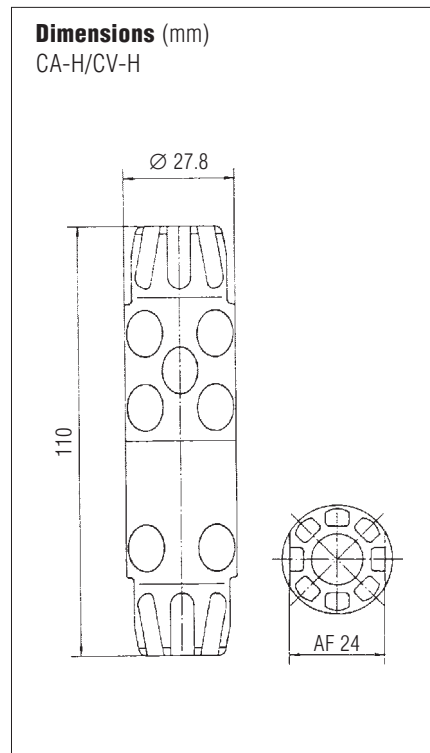
Silicon hose line

Ambient temperature

max. +120 °C for set
max. +190 °C (cumulative 1 000 h)

Enclosure material

high-temperature resistant polyamide



Selection chart

Description	Short form title	➔ Order no.
Heating cable connection -remote end termination as a set (not including cable) for supply cables \varnothing 3 x 1.5 for supply cables \varnothing 3 x 2.5	CS-H CS-H	27-563G-SF7POSEI 27-563G-SF7SOSEI
Heating cable connection (not including cable) for supply cables 3 x 1.5 for supply cables 3 x 2.5	CA-H CA-H	27-563G-SF7P0I 27-563G-SF7S0I
Heating cable remote end termination	CE-H	27-563G-SF700I
Heating cable - cable splice connection	CV-H	27-563G-SF770I

Supply cables	Cross section in mm	Outer jacket diameter in mm	➔ Order no.
Silicone hose line	3 x 1.5	8.5 ± 0.5	02-4034-0008
with shortened outer jacket	3 x 2.5	10 ± 0.5	02-4035-0002